



High safety
thanks to
low-energy
operation

Door Operator PortaMatic

For barrier-free, convenient living

HÖRMANN

Open and close doors effortlessly

With the Hörmann PortaMatic door operator, you can open and close your timber and steel internal doors automatically via hand transmitter or button. Whether you are physically disabled or would simply like more convenience – this technology will make your everyday life easier. The door operator PortaMatic features not only an array of functions and settings, but also minimal power consumption. In addition, the PortaMatic is up to 25 % cheaper than similar door operators and can be subsidised up to 100 % by your nursing care insurance.









The PortaMatic is the only door operator to date to have been tested and approved by the Deutsche Gesellschaft für Gerontotechnik (GGT – German Association for Gerontology Technology). As a result, it fulfils the expectations of customers aged 50+ with respect to convenience, quality and aesthetics.

Senior-friendly residences

Would you like to stay mobile despite physical limitations? The PortaMatic operator for internal doors improves your quality of life by helping you move about your home unaided.

Convenient living

You can now carry full trays, heavy crates of beverages or your shopping bags into your rooms unhindered. Even if you don't need the automatic door operator PortaMatic for health reasons, you will never want to do without this convenience again – we guarantee it!



Barrier-free working

Barrier-free working already plays an important role and will continue to gain importance in the future. The high safety thanks to low-energy operation makes the PortaMatic an ideal door operator for e. g. offices, hospitals, laboratories and doctors' practices.*

Hygienic door operation

The risk of infection among employees and patients is especially high on internal doors in doctors practices or lavatory doors in office buildings.

In combination with a non-contact switch, the PortaMatic door operator provides reliable protection from germs and bacteria, giving you a sense of security.



Watch the video at:
www.hoermann.com/en/videos

* For certain groups of users, such as older persons or persons needing assistance as well as small children, the use of the operator must be tested for each individual case.



1 Reliable door operation

At Hörmann, safety and convenience go hand in hand. The PortaMatic operator opens and closes your doors with **soft start and soft stop** and is **extremely quiet**. The door is moved with a minimum of force, offering you a **high level of safety**. Even a light touch is enough to stop the door from moving.

2 Innovative radio system

! Only from Hörmann

For you, we keep going where others have long called it a day. Our **innovative BiSecur radio system** allows you to control your operator securely via a hand transmitter or radio internal push button and even to query whether your door is open or closed*. **Now you no longer have to run around your house to check whether your internal doors are closed.** And because we always have your convenience in mind, you can use your hand transmitter or radio internal push button to not only open and close your doors, but also to operate the integrated LED illumination.

* With hand transmitter HS 5 BS or radio internal push button FIT 5 BS



3 Simple fitting, simple connection

The PortaMatic is guaranteed to make your life easier. Even **fitting is very easy**. The operator is fastened above the door or on the frame. The slide rail can simply be bonded to the door leaf and leaves no residue behind after being removed. This is particularly advantageous if you live in a rented flat or have smooth glass doors. The PortaMatic is simply connected to a socket. To ensure a smooth connection, the cables to our operators are 3 m long. **Of course, your Hörmann partner can professionally fit the operator for you.**



4 Visual and acoustic convenience functions

We find **added convenience and safety** make all the difference. This is why we have equipped our PortaMatic door operator with some convenient additional functions for you. For example, an **acoustic signal** and the integrated **LED illumination** indicate door movement before the door opens or closes. More importantly, the illumination ensures your safety in the entire passage area, particularly in the dark and in poorly lit doorways.

ADVANTAGES IN DETAIL



PortaMatic in silver (E6/ EV 1) with the light switched on, fitting to the extended door frame.



PortaMatic in white (RAL 9016) with optional shaft extension, fitting above the door frame.



The integrated illumination ensures orientation and optimally lights the door's passage area.



Partial opening is advantageous, if, for example, sanitary facilities are insufficiently ventilated.

Integrated LED illumination



Only from Hörmann

The PortaMatic illumination functions can be easily adapted to your respective needs – over and over again. This means, for example, you can choose lighting upward or downward. Continuous operation can serve as an orientation aid at night, and opening and closing can be indicated by a light signal before door movement.

Practical partial opening

You can adjust the PortaMatic to remain partially or completely open for a defined period of time, for example for ventilation purposes.

Minimal power consumption

With energy-efficient components and LED illumination, we make sure that the energy costs for the PortaMatic remain extremely low. This saves you both electricity and money.

Custom connection options

The PortaMatic can be connected to on-site buttons in your house via cable. In addition, use with an internal door or apartment entrance door with an electric door strike or motor lock is also possible. With an optional additional print, external switch boards can also be controlled via radio, e.g. for an emergency call function.

Your convenience is our goal

With our innovative products, we would like to make your everyday life easier. This is why you can also customise our PortaMatic door operator, with its numerous functions, tailoring it to your wishes and needs. The functions can also be combined. You can control up to 4 functions via a hand transmitter or radio button. This allows everyone in your home to make individual use of the operator.





1 Automatic operation

The door is opened via the hand transmitter or button. The door automatically closes after a period defined by you. The time window during which the door remains open ranges from 2 to 180 seconds.

2 Impulse operation

The door is opened via the hand transmitter or button. Pressing the button or actuating the hand transmitter once more closes the door again.

3 Semi-automatic operation

With this operating mode, you simply open the door slightly by hand. From a point defined by you, the operator then takes over and opens the door completely. A slight push then closes the door again.

3



4 Door closer operation

As usual, you open the door by hand. The operator is in idle mode. The door then closes automatically after a period defined by you, which ranges from 2 to 60 seconds.

Combined operation

All operating modes can also be customised or combined. The PortaMatic can be flexibly used and adapted to your personal situation – over and over again. For further information, please see page 16.

4

Radio control elements with an exclusive design

Our technology is not only innovative, but also has an elegant package. Hörmann radio controls are available in various versions and a variety of attractive designs. And of course, all of our control elements feature the innovative Hörmann BiSecur radio technology, making transmission signals particularly secure. On the following pages, you will find an excerpt from our comprehensive programme. Your Hörmann partner would be happy to give you more information about the functions, as well as the complete accessories programme.



You can find more detailed information on operation via smartphone in the BiSecur SmartHome brochure; for information on Hörmann door operators, please refer to the Garage Door and Entrance Gate Operators brochure.







Hand transmitter HS 5 BS

4 button functions
plus query button

- 1 High-gloss surface black or white
- 2 Textured surface black



Hand transmitter HS 4 BS

4 button functions

- 3 Textured surface black



Hand transmitter HS 1 BS

1 button function

- 4 Textured surface black

Hand transmitter HSE 1 BS

1 button function

incl. eyelet for key ring

- 5 Textured surface black

Hand transmitter HSE 4 BS

4 button functions,
including. eyelet for key ring

- 6 Textured surface black with chrome or plastic caps

Hand transmitter HSE 2 BS

2 button functions

incl. eyelet for key ring

- 7 High-gloss surface black or white
- 8 High-gloss surface green, purple, yellow, red, orange
- 9 Decors in silver, carbon, dark rootwood

(Shown from left to right)

Hand transmitter HSD 2-A BS

10 Aluminium look,
2 button functions, can
also be used as a key ring

Hand transmitter HSD 2-C BS

11 High-gloss chrome,
2 button functions, can
also be used as a key ring

Hand transmitter HSP 4 BS

12 With button lock-out,
4 button functions, incl. key ring

Hand transmitter HSI 6 BS

NEW

13 6 button functions,
with large numbered buttons





14

**Hand transmitter holders
For walkers ■ NEW**

For convenient operation, the HS, HSE and HSI hand transmitters can be easily attached to a walker using a special holder ¹⁴.
Shown: Holder for HS 5 BS



15

16

17

**Radio internal push button
FIT 1 BS**

1 button function
¹⁵ Pure white RAL 9010

**Radio internal push button
FIT 4 BS**

4 button functions
¹⁶ Pure white RAL 9010

**Radio internal push button
FIT 5 BS**

4 button functions
plus query button*
¹⁷ Pure white RAL 9010



18

Recessed radio transmitter

¹⁸ 2 functions, in combination with commercially available recessed push buttons



19



20

HSU 2 BS ¹⁹

For fitting in switch boxes with 55 mm diameter and a minimum depth of 60 mm with connection to the house mains supply

FUS 2 BS ²⁰

For fitting in switch boxes with 55 mm diameter and a minimum depth of 45 mm, incl. battery LR03/AAA 1.5 V



21

Internal push buttons

²¹ Flat buttons, surface-mounted and recessed versions, available with different imprints



Hygienic, non-contact door operation

Combined with a non-contact switch, the PortaMatic is the ideal solution for room doors in doctor's practices or lavatory doors in office buildings, since it does not require you to touch any handles or buttons, meaning that no bacteria are transmitted.



Radio radar button FSR 1 BS

1 button function, operating voltage: 230 V

Radar button HTR 1-230

1 button function, relay output for connecting to a switch cable, operating voltage: 230 V

Radar button HTR 1-24 ■ NEW

Same as HTR 1-230, operating voltage 24 V

* To query whether the door is open or closed.

Door operator PortaMatic

- Electromechanical hinged door operator for single-leaf timber and steel internal doors
- Dual handed
- Complete with integrated BiSecur radio, illumination, moment arm, slide rail, latch clamp and fixing material
- Housing colours: Silver (E6 / EV 1) or White (RAL 9016)
- Euro plug with 3 m white connection cable

Technical data

Dimensions (W × H × D)	60 × 560 × 78 mm
Weight	2.9 kg
Power input	Max. 0.15 kW
Standby	Approx. 1 watt
Opening angle	Max. 115 °
Tested service life	200,000 cycles/600 per day
Door width	610 to 1100 mm
Door height	Up to 2250 mm
Door weight	Up to 125 kg (up to door width 860 mm) Up to 100 kg (up to door width 985 mm) Up to 80 kg (up to door width 1110 mm)

Shaft extension

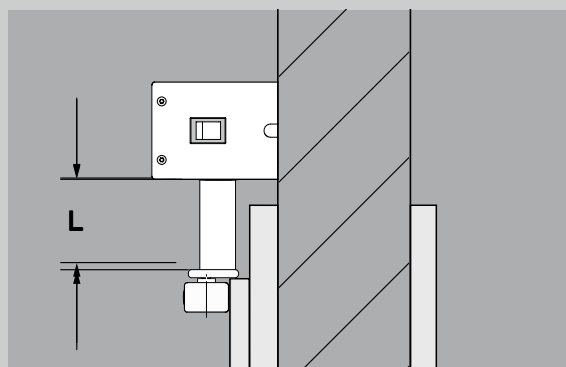
Optional accessories for fitting the operator above the door frame
Lengths (L) 31, 46, 61 mm



Housing colour in Silver (E6 / EV 1)



Housing colour in White (RAL 9016)



Optional shaft extension

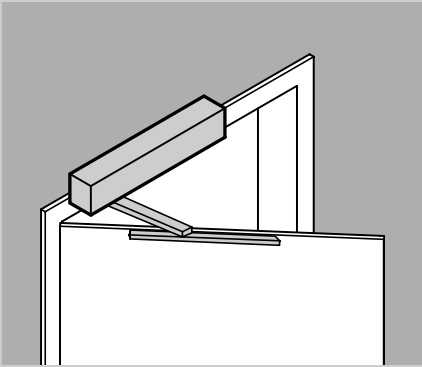
Functions and combination options

Functions	Explanation	Hold-open phase	Manual	Close door	Semi-automatic	Automatic, cable	Automatic, radio	Impulse sequence, cable	Impulse sequence, radio
OFF	Voltage-free	-	●	-	-	-	-	-	-
Manual	Manual operation	-	●	○	-	○	○	○	○
Semi-automatic operation	In Open / Close direction	Time 1	-	○	●	○	○	○	○
Automatic operation	Via cable	Time 2	○	○	○	●	○	○	○
Automatic operation	Via radio	Time 2	○	○	○	○	●	○	○
Impulse operation	Via cable	-	○	○	○	○	○	●	○
Impulse operation	Via radio	-	○	○	○	○	○	○	●
Permanent open, Partially open, Ventilate	Manual, impulse sequence	-	○	-	-	-	-	○	○
Acoustic (sound) and visual (light) signalling									
Advance warning (before door travel)			-	○	-	○	○	○	○
Warning (during door travel)			-	○	○	○	○	○	○

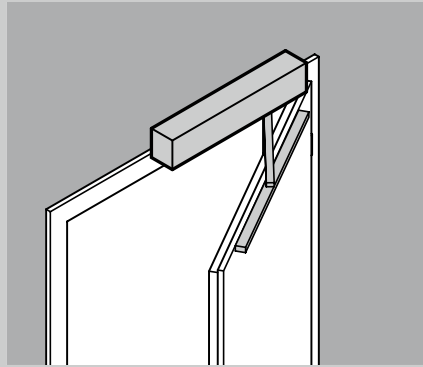
● standard, ○ possible, - not possible

Time 1 = hold-open phase 2 – 60 sec.
Time 2 = hold-open phase 2 – 180 sec.

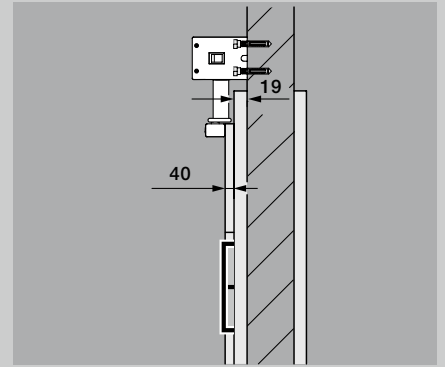
Fitting types



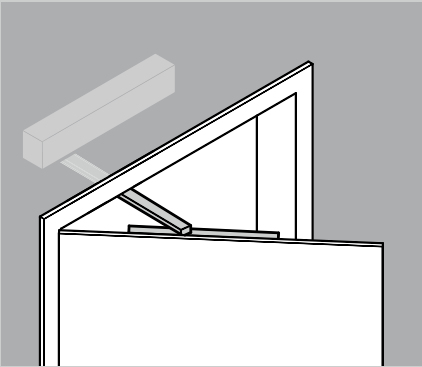
With slide rail
Opening side / hinge side, pulling



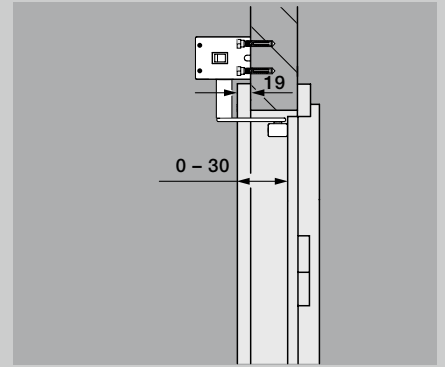
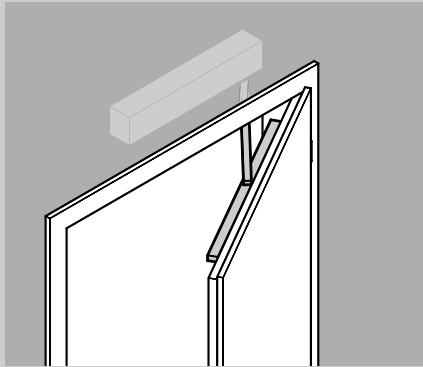
With slide rail
Closing side / opposite hinge side, pushing



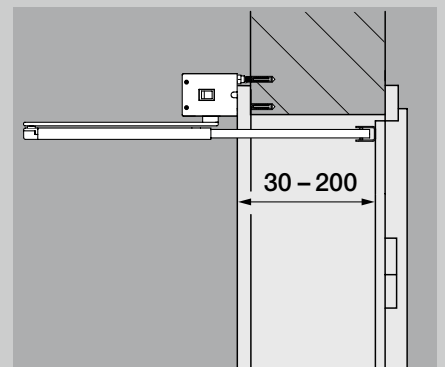
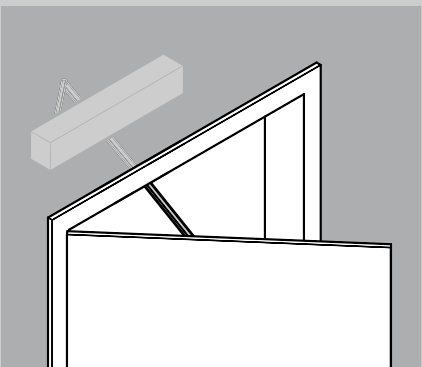
Max. door overlap 40 mm



With scissors linkage (optional)
Closing side / opposite hinge side, pushing



Reveal depth 0 – 30 mm



Reveal depth 30 – 200 mm



Experience Hörmann quality in new construction and modernisation

Hörmann provides an excellent basis for comprehensive planning. Carefully matched solutions offer you the very best in perfectly designed products for every area.

- **Garage doors**

Optimally match your personal architectural style: up-and-over or sectional doors made of steel or timber.

- **Gate and Door Operators**

Enjoy extra convenience and break-in-resistant security with Hörmann operators for garage doors and entrance gates. You can profit from the convenience of Hörmann door operators in your residential space as well.

- **Entrance doors**

Our comprehensive entrance door ranges include models that fit almost every need and requirement.

- **Steel doors**

Sturdy doors for your entire home, from basement to roof.

- **Frames**

Choose from our comprehensive range of products for new construction, expansion and modernisation.



Garage doors and entrance gate operators



Entrance doors



Steel doors

Hörmann: Quality without Compromise



Hörmann KG Amshausen, Germany



Hörmann KG Antriebstechnik, Germany



Hörmann KG Brandis, Germany



Hörmann KG Brockhagen, Germany



Hörmann KG Dissen, Germany



Hörmann KG Eckelhausen, Germany



Hörmann KG Freisen, Germany



Hörmann KG Ichttershausen, Germany



Hörmann KG Werne, Germany



Hörmann Alkmaar B.V., Netherlands



Hörmann Legnica Sp. z o.o., Poland



Hörmann Beijing, China



Hörmann Tianjin, China



Hörmann LLC, Montgomery IL, USA



Hörmann Flexon LLC, Burgettstown PA, USA



Shakti Hörmann Pvt. Ltd., India

Hörmann is the only manufacturer worldwide that offers you a complete range of all major building products from one source. We manufacture in highly-specialised factories using the latest production technologies. The close-meshed network of sales and service companies throughout Europe, and activities in the USA and Asia, make Hörmann your strong partner for first-class building products, offering "Quality without Compromise".

GARAGE DOORS
OPERATORS
INDUSTRIAL DOORS
LOADING EQUIPMENT
HINGED DOORS
DOOR FRAMES