



Aluminium and Steel Tubular Frame Construction Project Doors HE / HL

NEW: Aluminium external doors with CE marking







- 4 Hörmann brand quality
- 6 Sustainable production
- 7 Architect's program
- 8 Good reasons to try Hörmann
- 10 Overview of door functions

- 12 **Aluminium tubular frame parts**
- 13 System overview with profile dimensions
- 14 Equipment features
- 16 F30 / F90 aluminium system wall
- 18 T30 / F30 aluminium fire and smoke protection elements
- 19 Aluminium external doors acc. to DIN EN 14351-1
- 20 T30 aluminium fire-rated and smoke-tight doors with frame without face
- 23 T60 / F60 aluminium fire and smoke protection elements
- 25 T90 / F90 aluminium fire and smoke protection elements
- 26 Aluminium smoke protection elements
- 27 Aluminium smoke protection elements, insulated
- 28 Aluminium internal doors ES 50
- 29 Aluminium external doors TC 80
- 30 Clear passage for aluminium doors
- 31 Aluminium fixed glazings

- 32 **Aluminium sliding door systems**
- 32 T30 automatic sliding doors
- 38 Escape route sliding door system combination

- 44 **Steel tubular frame parts**
- 45 System overview with profile dimensions
- 46 Equipment features
- 48 F30 steel system wall
- 50 T30 steel fire and smoke protection elements S-Line
- 52 T30 steel fire and smoke protection elements N-Line
- 54 Clear passage for steel doors
- 55 Steel fixed glazings
- 56 T90 / F90 steel fire and smoke protection elements

- 60 **Special equipment**
- 60 Door operator HDO 200 / 300
- 62 Locks, panic locks, push bars
- 64 Overhead door closers

- 66 Hörmann product range

The colours and surface finishes shown are subject to the limitations of the printing process and cannot be regarded as binding.

All rights reserved. No part may be reproduced without our prior permission. Subject to changes.

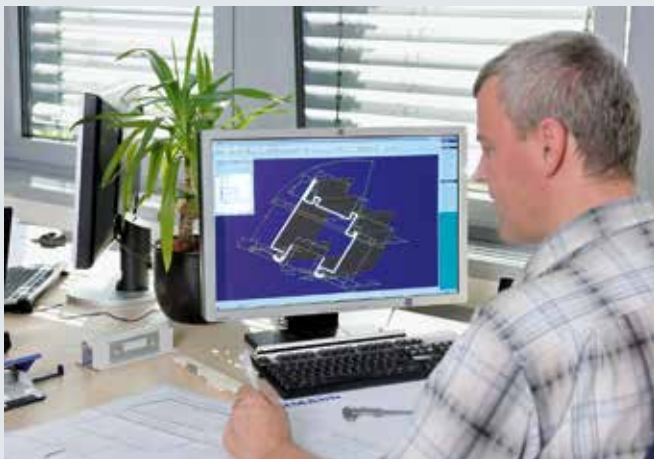
Image on left: Jungheinrich headquarters in Hamburg with Hörmann products

Hörmann Brand Quality

Top safety and reliability

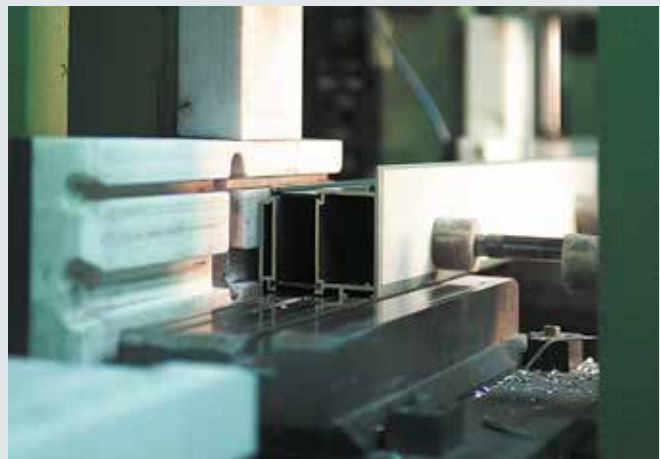


DB Hammerbrook headquarters in Hamburg with Hörmann products



In-house product development

Growing and constantly changing functional and safety requirements necessitate continuous new construction / equipment developments and improvements, especially when it comes to moveable construction components such as doors. In this area, our qualified development teams time and again prove their great specialised expertise.



Highly sophisticated production methods

We at Hörmann rely on the latest production technology at our specialised factories. Computer-controlled operations ensure dimensionally accurate elements with perfectly fitted fittings and functional parts.



In the course of several decades, Hörmann has continuously developed its fire protection programme into today's complete range. In addition to this multifarious range of products for construction projects, Hörmann also offers individual solutions with case-by-case approval.

Highly-specialised factories develop and produce construction components that are marked by excellent quality, functional safety and a long service life.

Our presence in the global economy's key regions makes us a strong, future-oriented partner for industrial and public construction projects.



Fire testing at our own fire test chamber

Our new and further developments are constantly tested for the required fire resistance and smoke-tightness through in-house fire tests at our fire testing centre. The knowledge gained from these tests ensures high fire protection for buildings. They also allow us to optimally prepare our innovations for the official inspections by the accredited testing centres for official approvals.



Expert building support

Experienced specialists within our customer-oriented sales organisation accompany you from the planning stage, through technical clarification up to the final building inspection.

Expert fitting is guaranteed by experienced Hörmann fitters and the specialised trained staff of Hörmann's partners.

Sustainable Production

For trend-setting construction



Sustainability documented and approved by the ift in Rosenheim

Hörmann has received confirmation of the sustainability of all its tubular frame construction project doors through an environmental product declaration (EPD)* in accordance with ISO 140425 from the Institut für Fenstertechnik (ift – Institute of window technology) in Rosenheim. The inspection was based on the Product Category Rules (PCR) Doors and Gates from ift Rosenheim GmbH, issue PCR-TT-0.1. Environmentally-friendly production was confirmed by a life-cycle analysis in accordance with DIN EN 14040/14044 for all doors.

Sustainably produced hollow profiled section doors from Hörmann

- **Environmentally friendly production**
Among other things, the solvent-free powder coating applied at the factory can be treated with low-VOC paints or primers on-site.
- **Regional raw materials**
The majority of applied raw materials are purchased from Germany and central Europe.
- **Durable, low maintenance products**
Our hollow profiled section doors are approved in functional tests with more than 200,000 closing cycles.

Sustainable construction with Hörmann's expertise

Hörmann has been able to gain great expertise in sustainable construction through various projects. We also apply this know-how to support your projects.



Simple and Sustainable Planning With Hörmann's Architect's Program



The Architect's Program

Planning with Hörmann products is now even easier thanks to a modern, user-friendly interface. Clearly structured navigation via drop-down menus and symbols, as well as a search function, provides faster access to tender specifications and drawings (in DWG and PDF format) of over 850 Hörmann products. **In addition, BIM data can be provided for many products for the Building Information Modeling Process, enabling efficient planning, drafting, construction and management of buildings.** Photos and photo-realistic presentations provide additional information on many products.



The Architect's Program is available to you as a web version at www.hormann.co.uk/forums/architects-forum/architects-program or can be downloaded free-of-charge from the Hörmann Architect's Forum.

Advantages at a glance

- Tender specifications and drawings (DWG and PDF format) for over 850 Hörmann products
- Modern, user-friendly interface
- Clearly structured navigation with a search function
- Online and offline versions



We are a member of the professional association for digital building products in the Federal Association of Building Systems e.V.

Good Reasons to Try Hörmann

Aluminium and steel tubular frame parts for all demands in construction projects



1

CE marking for external doors // NEW

2

Aluminium frame without face

The new EI₂30 aluminium tubular frame parts are tested and approved as external doors with fire resistance and / or smoke control characteristics. **The performance characteristics of fire-rated doors are classified in accordance with EN 16034 and EN 14351-1 and documented in the declaration of performance (DoP).** This means you can plan your fire protection right through to the **exterior facade** using Hörmann products. Using matching aluminium fire-rated and smoke-tight door sets in internal and external areas provides a harmonious overall look.

T30 aluminium fire-rated and smoke-tight doors are exclusively available without visible frame face on the hinge side. This results not only in an **elegant door appearance**, but also a **larger passage width** of up to 55 mm. This version is tested by the DIBt in accordance with national technical approval.





3

Maximum clear passage width

The planning of fire prevention areas when converting buildings often needs to be implemented depending on the site requirements. **T30 aluminium and steel fire-rated doors with steel frame** are the ideal solution for minimising the loss of clear passages. **With this combination, you can expand the clear passage width by up to 73 mm**, in comparison to doors with fascia frames. This does away with extensive structural work. Steel frames are available as corner and profile frames for all wall types.



4

Barrier-free access

Hörmann automatic hinged doors allow **barrier-free passage** and are universally applicable. Our hollow profiled section doors are equipped with the **corresponding operator already at the factory**. You can operate the automatic door conveniently via a button, radar or movement detector or using Hörmann operating elements with BiSecur radio technology, such as the convenient hand transmitter.

Always the Perfect Solution for Your Requirements

Fire-retarding, smoke-tight, acoustic-rated, break-in-resistant
and as an external door



T30**EI₂30****T60****T90****RS**

Fire-rated and smoke-tight doors

Smoke and fire damage can have fatal, life-threatening consequences. This makes safe equipment with fire-rated and smoke-tight doors even more crucial. It's a good thing that you can rely on tested, officially approved Hörmann fire-rated and smoke-tight doors.

**dB**

Acoustic-rated doors

Noise not only reduces the ability to concentrate, but can also trigger stress and result in permanent illness. This is why it is important to best insulate noise at its point of origin. Hörmann acoustic-rated doors make a major contribution with acoustic values of up to 42 dB.

**RC 2****RC 3**

Security doors

Safety first! Hörmann break-in-resistant doors have been tested and certified in accordance with European standard DIN EN 1627 since 2011. Security doors with resistance class RC 2 / RC 3 that are also equipped with an anti-panic function reliably secure your emergency exits against break-in attempts.



Internal doors

Large areas of glazing provide a bright, pleasant working atmosphere. Side elements and transom lights create complete partition wall systems.

**CE**

External doors

External doors with thermal break ensure well-lit, welcoming entrances. External doors acc. to DIN EN 14351-1 with fire and / or smoke control properties acc. to EN 16034 are designed for integrated fire protection solutions with fire-rated and smoke-tight doors in internal areas.



Aluminium Tubular Frame Parts

System overview



T30

Fire-retarding
HE 311
HE 321

EI₂30

Fire-retarding
HE 311 – EI₂30
HE 321 – EI₂30

F30

Fire-retarding
HE 331
HE 331 S

T60

High fire resistance
HE 611
HE 621

F60

High fire resistance
HE 631

T90

Fire-proof
HE 911
HE 921

F90

Fire-proof
HE 931

RS

Smoke-tight
A / RS 100 / 150
A / RS 200 / 250
A / RS 300 / 350

dB

Acoustic-rated

RC 2

Break-in-resistant

RC 3



Escape route doors
Escape route doors
with anti-panic locks
are also available
in combination with
RC 2 equipment



Internal door
ES 50

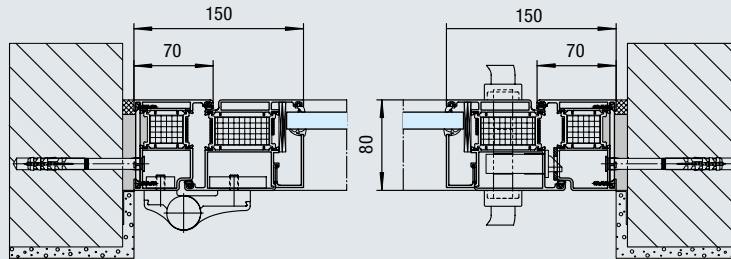


External door
HE 311 – EI₂30
HE 321 – EI₂30
TC 80

A/C2

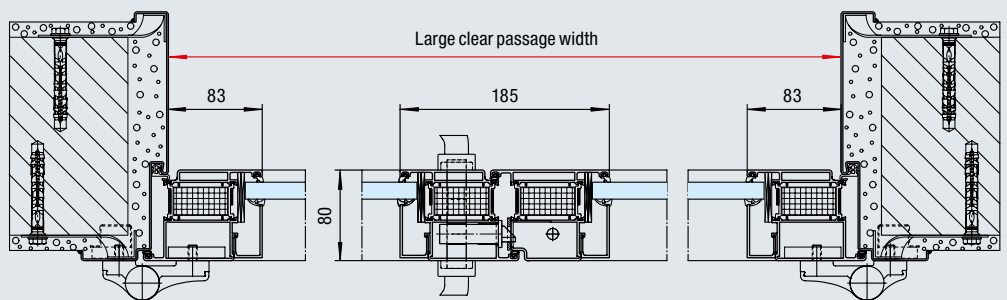
Anti-fall safeguard
acc. to DIN 18008-4
(previously TRAV)
HE 331 S
HE 331 / 631 / 931
A / RS 350
A / RS 300

Single-leaf door with fascia frame



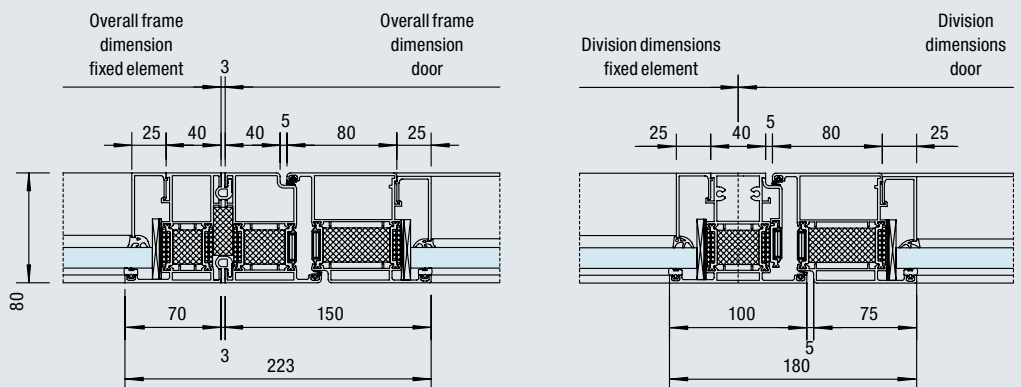
View T30 aluminium (standard)

Double-leaf door with steel frame



View T30 aluminium with steel profile frame

Fixed glazing



Door / fixed element coupled

View F30 aluminium

All dimensions in mm

Door / fixed element vertical profile construction

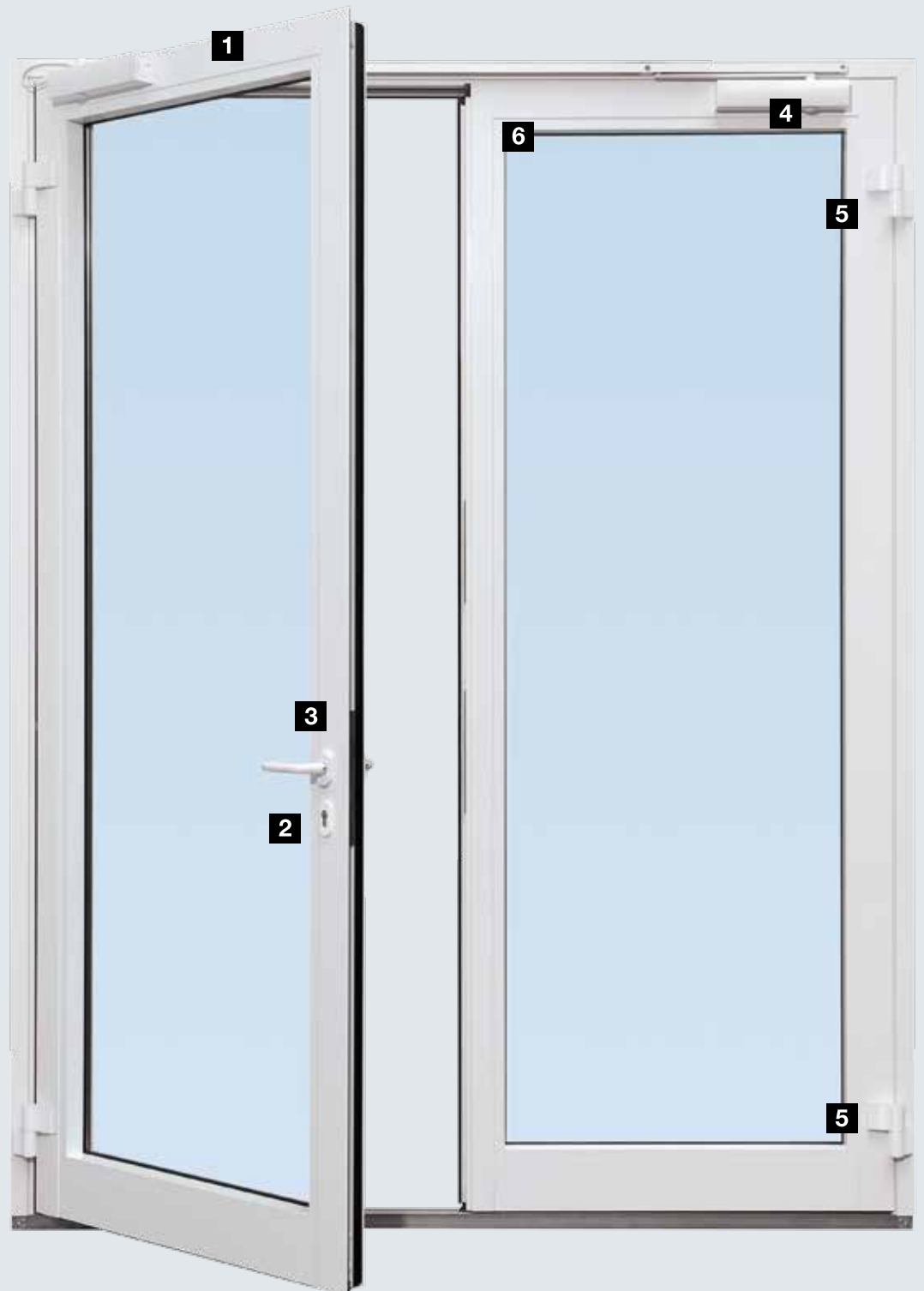
Image on left: Condor training facility in Frankfurt am Main with Hörmann products

Aluminium Tubular Frame Parts

Equipment features

1 Uniform colour scheme

Hörmann offers you doors, frames, fittings, hinges and closing devices in a uniform colour scheme. This allows the door to fit harmoniously into the room concept. As standard, we offer the aluminium fire and smoke protection elements with a powder-coated primer in Traffic white RAL 9016 (gloss level 35 %). The elements are optionally available in affordable preferred colours (gloss level 35 %), as well as in RAL to choose or special colours.



2 Lock

As standard, all Hörmann fire-rated and smoke-tight doors are equipped with a latch catch lock. Optionally, we offer anti-panic locks, also self-locking.

3 Lever handle set

As standard, we offer all door sets with an offset aluminium lever/lever handle set with a steel core including a cylinder rose escutcheon. Break-in-resistant doors are additionally equipped with a protective fitting. Optionally, you can also choose lever handles and lever/knob handle sets as well as aluminium and stainless steel panic bars.

4 Closing devices

As standard, all fire-rated and smoke-tight doors are equipped according to DIN EN 1154 with a slide rail overhead door closer on the hinge side, and with an integrated door leaf selector for double-leaf doors. Integrated overhead door closers are also available for a particularly harmonious door appearance.

5 Hinges

A The standard 3-way adjustable hinge for fire-rated and smoke-tight doors is three-way adjustable, with a pivot point of either 20 or 36 mm. This aluminium hinge is available anodised, powder-coated in all colours or with a stainless steel look.

B The elegant and precisely adjustable guide roller (pivot point 16 mm) is available as an alternative to the 3-way adjustable hinge. It is available in painted steel matching the door surface finish or in polished stainless steel.

C The 3-part 3-way adjustable hinges of T90 fire-rated doors (pivot point 20 or 36 mm) can be optimally aligned and are available in the door surface finish. For a matching look, we also offer you T30 and RS doors with these hinges.

6 Glazing beads

D Glazing beads are not only a functional element, but also a style element for the overall look of a door. As standard, we offer the doors with rectangular glazing beads.

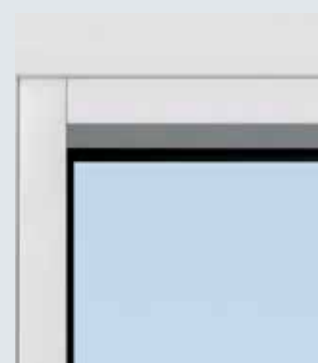
E On request, we offer the doors with rounded Softline glazing beads in which the precise mitre of frame and leaf is continued along a single line.



Slide rail overhead door closer



A 2-part 3-way adjustable hinge as standard



B Guide roller



C 3-way adjustable hinge, 3-part (T90)



D Rectangular glazing beads as standard



E Softline glazing beads

F30 / F90 Aluminium System Wall

Fire protection with maximum transparency for the highest demands



Discreet glazing joint

The individual glass panes are jointed by silicone (joint width 3 – 10 mm). The silicone joint is available in grey, black and transparent. An inexpensive alternative to the F30 system glazings is the version with F1-30 glass, for which the seal is concealed with a flat profile (40 × 2 mm).



Black silicone joint

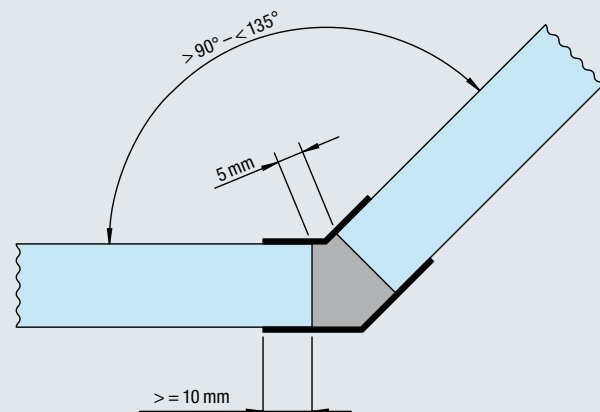
Grey silicone joint

Transparent silicone joint

Glazing with a 40 mm wide flat profile

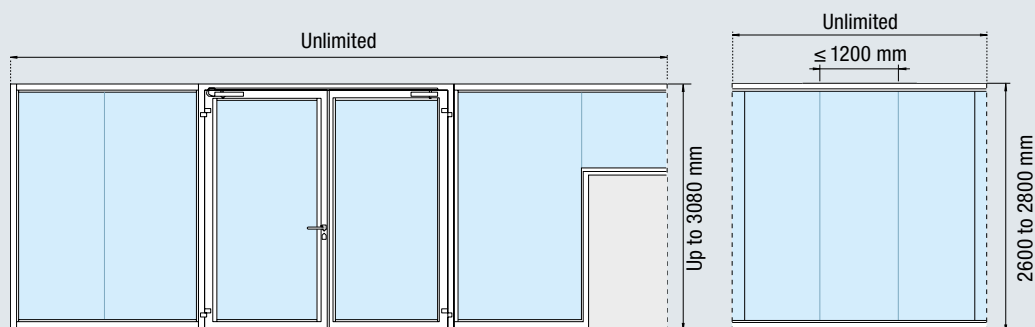
Corner joint

In corner areas with any type of angle, this system glazing does not require corner posts for aluminium F30. The joint with fire-rated silicone is elegantly concealed on the inside and outside only by a slim, glued-on metal angle profile. A technically and visually appealing solution.



HE 331 S

HE 931 S

**Main functions****F30****Fire-retarding**
HE 331 S**F90****Fire-proof**
HE 931 S**RS****Smoke-tight****A/C2****Anti-fall safeguard**
acc. to DIN 18008-4
(previously TRAV)
HE 331 S**HE 331 S****HE 931 S***

Version	Fixed glazing	Fixed glazing
Profile system	Aluminium	Aluminium
Viewed width	70	70
Depth	80	80
Bottom section height	70 / 150	70 / 150

Fitting in

Brickwork	≥ 115	≥ 240
Concrete	≥ 100	≥ 140
Gas concrete	≥ 175	≥ 240
Partition wall	≥ 100	≥ 100

Wall requirements based on size can be found in the fitting instructions at www.hoermann.com

* HE 931 S possible with case-by-case approval

The compliance proofs, e.g. for resistance to wind load, water-tightness under heavy rain, air permeability etc., are based on EN 14351-1.

Size range	HE 331 S		HE 931 S	
	Width	Height	Width	Height
With fascia frame				
Overall frame dimension (ordering size)	Unlimited	3080	Unlimited	2600 – 2800
Maximum door height		3000		Not available

T30 / F30 Aluminium Fire and Smoke Protection Elements

HE 311, HE 321, HE 331

Single and double-leaf doors, fixed glazing

Main functions

T30

Fire-retarding
HE 311
HE 321

F30

Fire-retarding
HE 331

RS

Smoke-tight

dB

Acoustic-rated
Acoustic values up to 42 dB (HE 311, HE 321)
up to 44 dB (HE 331)

RC 2

Break-in-resistant
HE 311 up to 1500 × 3000 mm
HE 321 up to 3000 × 3000 mm

RC 3

Break-in-resistant
HE 311 up to 1500 × 2500 mm

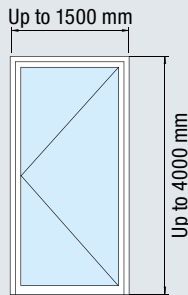


Escape route doors with anti-panic locks are also available in combination with RC 2 equipment

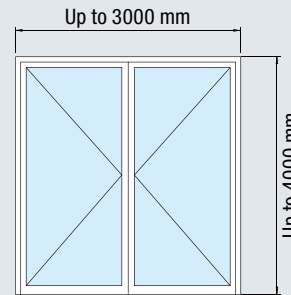
A/C2

Anti-fall safeguard acc. to DIN 18008-4 (previously TRAV)
HE 331

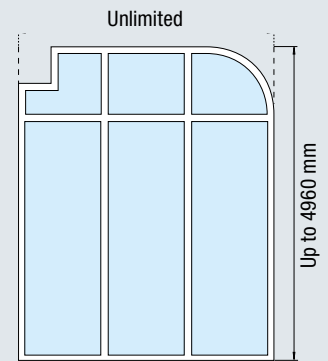
HE 311



HE 321



HE 331



	HE 311	HE 321	HE 331
Version	Single-leaf door	Double-leaf door	Fixed glazing
Profile system	Aluminium	Aluminium	Aluminium
Viewed frame width	70	70	70
Depth	80	80	80
Bottom section height	105 / 150	105 / 150	105 / 150

Fitting in	HE 311	HE 321	HE 331
Brickwork	≥ 115	≥ 115	≥ 115
Concrete	≥ 100	≥ 100	≥ 100
Gas concrete	≥ 150	≥ 150	≥ 150
Partition wall	≥ 100	≥ 100	≥ 100

Wall requirements based on size can be found in the fitting instructions at www.hoermann.com

Size range	HE 311		HE 321	
	Width	Height	Width	Height
With fascia frame				
Overall frame dimension (ordering size)	605 – 1500	1740 – 4000	1355 – 3000	1740 – 4000
Clear passage	465 – 1360	1670 – 3930	1215 – 2860	1670 – 3930
With steel frame				
Nominal size (ordering size)	535 – 1430	1705 – 2965	1285 – 2930	1705 – 2965
Clear passage	414 – 1309	391 – 2933	1107 – 2752	1673 – 2933
Traffic leaf division			500 – 1500	
Fixed leaf division			500 – 1500	

Size range	HE 331	
	Width	Height
With fascia frame		
Overall frame dimension (ordering size)	Unlimited	4960 / 4500*
Maximum door height*		3000

* For combination of door (HE 311, HE 321) and fixed glazing (HE 331)

Clear passage Page 30

Fixed glazings
Design variants Page 31

Aluminium External Doors acc. to DIN EN 14351-1 HE 311 – EI₂ 30; HE 321 – EI₂ 30

With fire and / or smoke control characteristics acc. to EN 16034

NEW
From May
2018

Main functions

EI₂30

Fire-retarding
HE 311 – EI₂ 30
HE 321 – EI₂ 30

RS

Smoke-tight
S 200

dB

Acoustic-rated
Acoustic values up to
42 dB

U_D

Thermally insulated
U_D-value of up to
1.6 W/(m²·K)

RC 2

Break-in-resistant
HE 311 – EI₂ 30
HE 321 – EI₂ 30

RC 3

Break-in-resistant
HE 311 – EI₂ 30



Escape route doors
with anti-panic locks
are also available
in combination with
RC 2 equipment

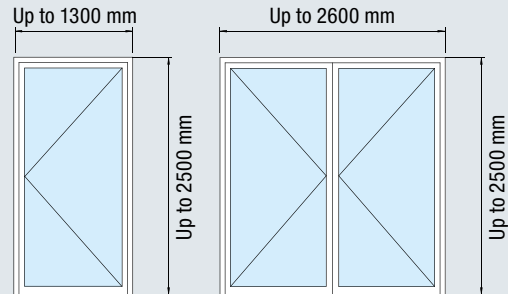


**External door
with CE marking**



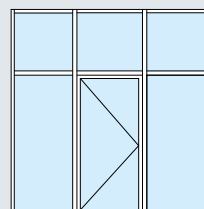
HE 311 - EI₂ 30

HE 321 - EI₂ 30



	HE 311 – EI ₂ 30	HE 321 – EI ₂ 30
Version	Single-leaf door	Double-leaf door
Profile system	Aluminium	Aluminium
Viewed frame width	70	70
Depth	80	80
Bottom section height	105 / 150	105 / 150
Fitting in		
Brickwork	≥ 115	≥ 115
Concrete	≥ 100	≥ 100
Gas concrete	≥ 150	≥ 150
Partition wall	≥ 100	≥ 100
Additional functions / performance characteristics		
Thermal insulation U_D	Up to 1.6 W/(m ² ·K)	Up to 1.6 W/(m ² ·K)
Wind load	Class C2 / B2	Class C3 / B3
Water tightness under heavy rain	Class 3A (entrance door threshold with seal) Limited (retractable bottom seal)	
Air permeability	Class 2	Class 2
Operating forces	Class 2	Class 2
Differential climate behaviour	Class 2(d) / 2(e)	Class 2(d) / 2(e)
Wall requirements based on size can be found in the fitting instructions at www.hoermann.com * Depending on size and glazing		

Size range	HE 311 - EI ₂ 30		HE 321 - EI ₂ 30	
	Width	Height	Width	Height
With fascia frame				
Overall frame dimension (ordering size)	605 – 1300	1740 – 2500	1355 – 2600	1740 – 2500
Clear passage	465 – 1160	1670 – 2430	1215 – 2460	1670 – 2430
Traffic leaf division			605 – 1300	
Fixed leaf division			605 – 1300	



The doors are also available with side elements (max. width up to 1400 mm) and/or transom lights (max. height up to 1400 mm). Fixed glazings in defined size ranges are available on request (element size max. 4500 × 2500 mm, glazing size max. 1500 × 2500 mm).

Clear passage Page 30
Fixed glazings Page 31
Design variants Page 31

All dimensions in mm

Aluminium Frame Without Face

Exclusive door appearance without visible frame face on the hinge side and maximum clear passage width



T30 Aluminium Fire-Rated and Smoke-Tight Doors HE 311, HE 321

Single and double-leaf doors with frame without face

Main functions

T30

Fire-retarding
HE 311
HE 321

RS

Smoke-tight

RC 2

Break-in-resistant
HE 311
HE 321



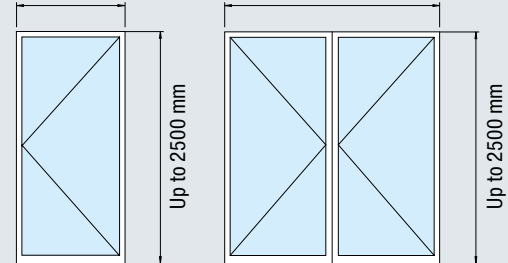
Escape route doors with anti-panic locks are also available in combination with RC 2 equipment

HE 311

HE 321

Up to 1415 mm

Up to 2810 mm



HE 311

HE 321

Version

Single-leaf door, optionally with transom light

Double-leaf door, optionally with transom light

Profile system

Aluminium

Aluminium

Viewed width frame

Hinge side

4,5

4,5

Opposite hinge side

42

42

Wall width

100 – 200

100 – 200

Bottom section height

105 / 150

105 / 150

Fitting in

Brickwork

≥ 115

≥ 115

Concrete

≥ 100

≥ 100

Gas concrete

≥ 150

≥ 150

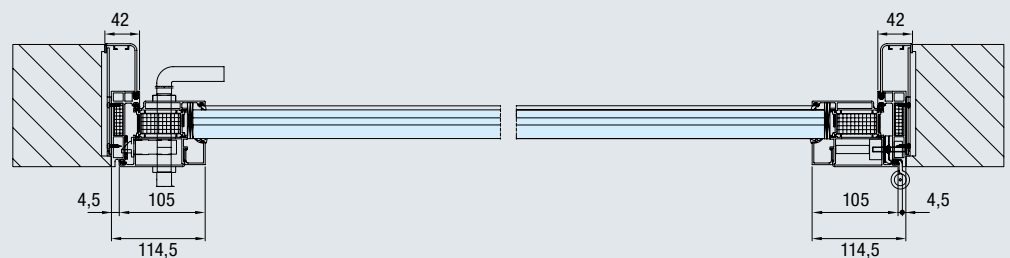
Partition wall

≥ 100

≥ 100

Wall requirements based on size can be found in the fitting instructions at www.hoermann.com

Single-leaf door with frame without face



The standard version includes an integrated overhead door closer and guide rollers. Surface-mounted overhead door closers and operators are possible for versions with transom light.

Size range	HE 311		HE 321	
	Width	Height	Width	Height
With frame without face				
Overall frame dimension (ordering size)	550 – 1415	1710 – 2500	1300 – 2810	1710 – 2500
Clear passage with 90° opening	465 – 1330	1667 – 2457	1215 – 2725	1667 – 2457

Clear passage Page 30

Fixed glazings Design variants Page 31

Elbphilharmonie

Architect: © Herzog & de Meuron, Basel, Switzerland



Certified by

DGNB

Deutsche Gesellschaft für Nachhaltiges Bauen e.V.
German Sustainable Building Council



Hörmann products

- Aluminium smoke-tight doors
A / RS 150, A / RS 250, A / RS 300
- T30 aluminium fire-rated doors
HE 311, HE 321, HE 331
- T90 aluminium fire-rated doors
HE 921, HE 931
- T30 automatic sliding door ASV
- Steel smoke-tight doors
S / RS 100 / 300 S-Line
- T30 steel fire-rated doors
HL 310 S, HL 320 S, HL 330 S
- F30 glazing HW 130 F



T60 / F60 Aluminium Fire and Smoke Protection Elements HE 611, HE 621, HE 631

Single and double-leaf doors, fixed glazing

T60

Main functions

High fire resistance
HE 611
HE 621

F60

High fire resistance
HE 631

RS

Smoke-tight

dB

Acoustic-rated
Acoustic values up to
42 dB (HE 611, HE 621)
up to 44 dB (HE 631)

RC 2

Break-in-resistant
HE 611 up to
1500 × 2800 mm
HE 621 up to
2850 × 2800 mm

RC 3

Break-in-resistant
HE 611 up to
1500 × 2500 mm



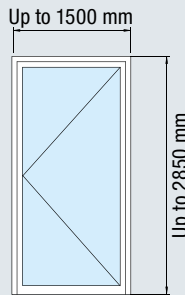
Escape route doors
with anti-panic locks
are also available in
combination with
RC 2 equipment

A/C2

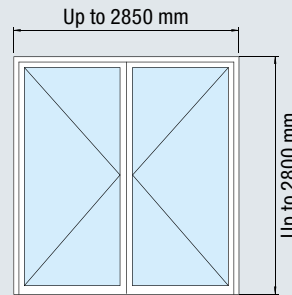
Anti-fall safeguard
acc. to DIN 18008-4
(previously TRAV)
HE 631

Clear passage Page 30
Fixed glazings
Design variants Page 31

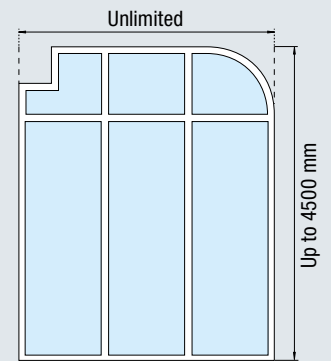
HE 611



HE 621



HE 631



	HE 611	HE 621	HE 631
Version	Single-leaf door	Double-leaf door	Fixed glazing
Profile system	Aluminium	Aluminium	Aluminium
Viewed width	70	70	70
Depth	80	80	80
Bottom section height	150	150	150

Fitting in

Brickwork	≥ 175	≥ 175	≥ 175
Concrete	≥ 140	≥ 140	≥ 140
Gas concrete	≥ 200	≥ 200	≥ 200
Partition wall	≥ 100	≥ 100	≥ 100

Wall requirements based on size can be found in the fitting instructions at www.hoermann.com

Size range	HE 611		HE 621	
	Width	Height	Width	Height
With fascia frame				
Overall frame dimension (ordering size)	605 – 1500	1740 – 2800	1355 – 2850	1740 – 2800
Clear passage	465 – 1360	1670 – 2730	1215 – 2780	1670 – 2730
Traffic leaf division			500 – 1425	
Fixed leaf division			500 – 1425	

Size range	HE 631	
	Width	Height
Overall frame dimension (ordering size)	Unlimited	4500 / 4000*
Maximum door height*		2800

* For combination of door (HE 611, HE 621) and fixed glazing (HE 631)

All dimensions in mm

HumboldtHafenEins, Berlin
Architect: KSP Jürgen Engel Architekten GmbH



- Hörmann products**
- T30 steel fire-rated and smoke-tight doors S-Line HL 311 S / 321 S
 - T30 stainless steel fire-rated doors STS

T90 / F90 Aluminium Fire and Smoke Protection Elements HE 911, HE 921, HE 931

Single and double-leaf doors, fixed glazing

Main functions

T90
Fire-proof
HE 911
HE 921

F90
Fire-proof
HE 931

RS
Smoke-tight

dB
Acoustic-rated
Acoustic values up to
42 dB (HE 911, HE 921)
up to 44 dB (HE 931)

RC 2
Break-in-resistant
HE 911 up to
1500 × 2800 mm
HE 921 up to
2850 × 2800 mm

RC 3
Break-in-resistant
HE 911 up to
1500 × 2500 mm



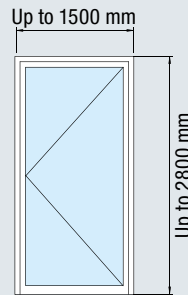
Escape route doors
with anti-panic locks
are also available
in combination with
RC 2 equipment

A/C2
Anti-fall safeguard
acc. to DIN 18008-4
(previously TRAV)
HE 931

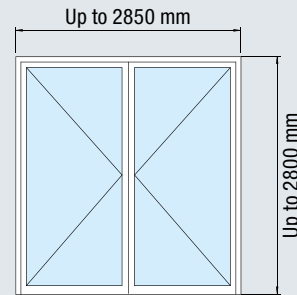
Clear passage Page 30

Fixed glazings
Design variants Page 31

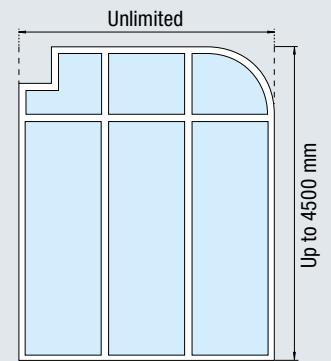
HE 911



HE 921



HE 931



	HE 911	HE 921	HE 931
Version	Single-leaf door	Double-leaf door	Fixed glazing
Profile system	Aluminium	Aluminium	Aluminium
Viewed frame width	70	70	70
Depth	80	80	80
Bottom section height	150	150	70 / 150

Fitting in

Brickwork	≥ 240	≥ 240	≥ 240
Concrete	≥ 140	≥ 140	≥ 140
Gas concrete	≥ 240	≥ 240	≥ 240
Partition wall	≥ 100	≥ 100	≥ 100

Wall requirements based on size can be found in the fitting instructions at www.hoermann.com

Size range	HE 911		HE 921	
	Width	Height	Width	Height
With fascia frame				
Overall frame dimension (ordering size)	605 – 1500	1740 – 2800	1355 – 2850	1740 – 2800
Clear passage	465 – 1360	1670 – 2730	1215 – 2710	1670 – 2730

Size range	HE 931	
	Width	Height
Overall frame dimension (ordering size)	Unlimited	4500 / 4000*
Maximum door height*		2800

* For combination of door (HE 911, HE 921) and fixed glazing (HE 931)

All dimensions in mm

Aluminium Smoke Protection Elements

A / RS 150, A / RS 250, A / RS 350

Single and double-leaf doors, fixed glazing

Main functions

RS

Smoke-tight

dB

Acoustic-rated

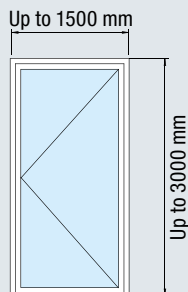
Acoustic values
up to 38 dB

A/C2

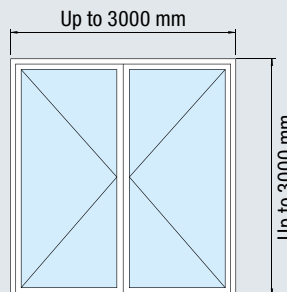
Anti-fall safeguard
acc. to DIN 18008-4
(previously TRAV)

A / RS 350

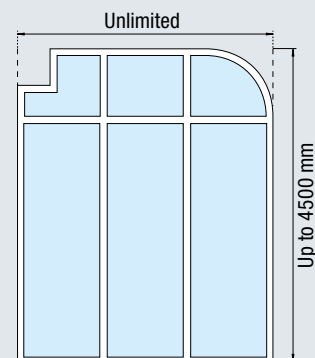
A / RS 150



A / RS 250



A / RS 350



	A / RS 150	A / RS 250	A / RS 350
Version	Single-leaf door	Double-leaf door	Fixed glazing
Profile system	Aluminium	Aluminium	Aluminium
Viewed frame width	70	70	70
Depth	50	50	50
Bottom section height	105 / 150	105 / 150	105 / 150

Fitting in

Brickwork	≥ 115	≥ 115	≥ 115
Concrete	≥ 100	≥ 100	≥ 100
Gas concrete	≥ 150	≥ 150	≥ 150
Partition wall	≥ 100	≥ 100	≥ 100

Wall requirements based on size can be found in the fitting instructions at www.hoermann.com

Size range	A / RS 150		A / RS 250	
	Width	Height	Width	Height
With fascia frame				
Overall frame dimension (ordering size)	605 – 1500	1740 – 3000	1355 – 3000	1740 – 3000
Clear passage	465 – 1360	1670 – 2730	1215 – 2860	1670 – 2730
With steel frame				
Nominal size (ordering size)	535 – 1380	1705 – 2965	1285 – 2930	1705 – 2965
Clear passage	471 – 1316	1673 – 2933	1221 – 2866	1673 – 2933
Traffic leaf division			548 – 1500	
Fixed leaf division			548 – 1500	

Size range	A / RS 350	
	Width	Height
Overall frame dimension (ordering size)	Unlimited	Unlimited
Maximum door height*		3000
TRAV		
Max. element size	Unlimited	4500
Min. pane size	800	1000
Max. pane size	Depending on glass type according to table 2 TRAV	

* For combination of door (A / RS 150, A / RS 250) and fixed glazing (A / RS 350)

Clear passage Page 30

Fixed glazings
Design variants Page 31

Aluminium Smoke Protection Elements, Insulated

A / RS 100, A / RS 200, A / RS 300

Single and double-leaf doors, fixed glazing

RS

Main functions

Smoke-tight

dB

Acoustic-rated

Acoustic values up to 38 dB

RC 2

Break-in-resistant

A / RS 100 up to 1500 × 3000 mm
A / RS 200 up to 3000 × 3000 mm

RC 3

Break-in-resistant

A / RS 100 up to 1500 × 2500 mm

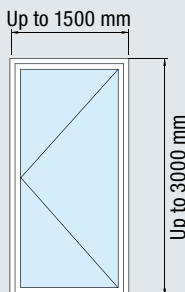


Escape route doors with anti-panic locks are also available in combination with RC 2 equipment

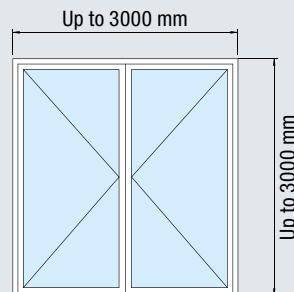
A/C2

Anti-fall safeguard acc. to DIN 18008-4 (previously TRAV)
A / RS 300

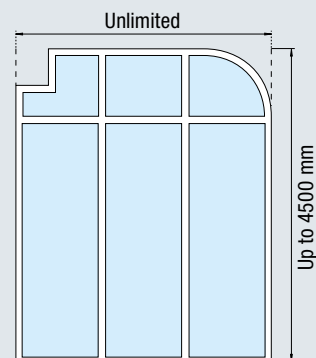
A / RS 100



A / RS 200



A / RS 300



	A / RS 100	A / RS 200	A / RS 300
Version	Single-leaf door	Double-leaf door	Fixed glazing
Profile system	Aluminium	Aluminium	Aluminium
Viewed width	70	70	70
Depth	80	80	80
Bottom section height	105 / 150	105 / 150	105 / 150

Fitting in

Brickwork	≥ 115	≥ 115	≥ 115
Concrete	≥ 100	≥ 100	≥ 100
Gas concrete	≥ 150	≥ 150	≥ 150
Partition wall	≥ 100	≥ 100	≥ 100

Wall requirements based on size can be found in the fitting instructions at www.hoermann.com

Size range	A / RS 100		A / RS 200	
	Width	Height	Width	Height
With fascia frame				
Overall frame dimension (ordering size)	605 – 1500	1740 – 3000	1355 – 3000	1740 – 3000
Clear passage	465 – 1360	1670 – 2930	1215 – 2860	1670 – 2930
With steel frame				
Nominal size (ordering size)	535 – 1430	1705 – 2965*	1285 – 2930	1750 – 2965*
Clear passage	471 – 1366	1673 – 2933	1221 – 2866	1673 – 2933
Traffic leaf division			500 – 1500	
Fixed leaf division			500 – 1500	

* With transom light 3500

Size range	A / RS 300	
	Width	Height
Overall frame dimension (ordering size)	Unlimited	Unlimited
Maximum door height**		3000
TRAV		
Max. element size	Unlimited	4500
Min. pane size	800	1000
Max. pane size	Depending on glass type according to table 2 TRAV	

** For combination of door (A / RS 100, A / RS 200) and fixed glazing (A / RS 300)

Clear passage Page 30

Fixed glazings
Design variants Page 31

Aluminium Internal Doors

ES 50

Single and double-leaf doors, side elements, transom lights

Main functions



Internal door

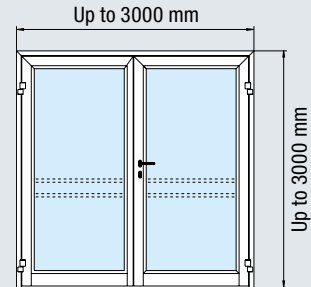
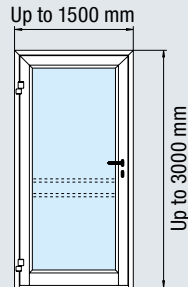
Additional function



Smoke-tight
Available as A / RS 150
or A / RS 250

Style 100 / 101
with horizontal rail

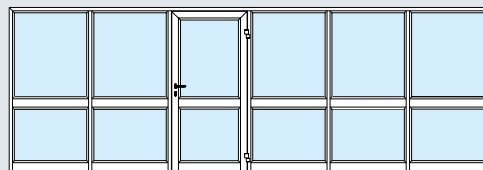
Styles 102 / 103
with horizontal rail



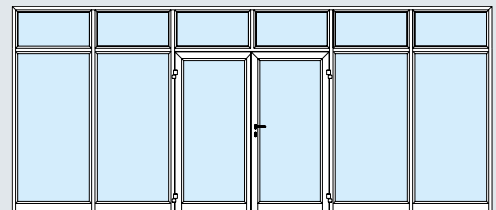
	ES 50	ES 50
Version	Single-leaf door, optionally with transom light	Double-leaf door, optionally with transom light
Profile system	Aluminium	Aluminium
Door leaf	50	50
Viewed width		
Frame	70	70
Leaf	75	75
Depth	50	50
Bottom section height	150	150

Can be extended to form a partition wall

You can combine the door with any side elements and transom lights. This provides you with e.g. a complete glazing set as partition wall for individual offices.



Style 101 with horizontal rail and side elements



Style 102 with side elements and transom lights

	Styles 100/101		Styles 102 / 103	
	Width	Height	Width	Height
Size range				
Overall frame dimension (ordering size)	605 – 1500	1740 – 3000	1335 – 3000	1740 – 3000
Traffic leaf			500 – 1500	
Fixed leaf			500 – 1500	
Clear passage*	421 – 1316	1670 – 2930	1107 – 2772	1670 – 2930

* With an opening angle of 90° and without lever handles/handles

All dimensions in mm

Clear passage Page 30

Fixed glazings
Design variants Page 31

Aluminium External Doors with Thermal Break

TC 80

Single and double-leaf doors, side elements, transom lights



Main function

External door
with CE marking



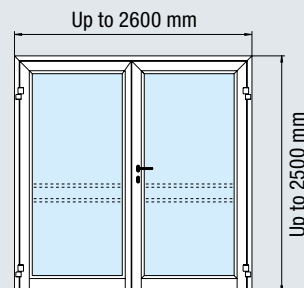
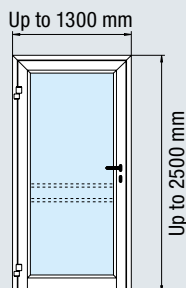
Additional function

Break-in-resistant
RC 2

RC 2

Style 100 / 101
with horizontal rail

Styles 102 / 103
with horizontal rail



	TC 80	TC 80
Version	Single-leaf door, optionally with transom light	Double-leaf door, optionally with transom light
Profile system	Aluminium	Aluminium
Door leaf	80 With thermal break	80 With thermal break
Viewed width		
Frame	70	70
Leaf	75	75
Depth	80	80
Bottom section height	150	150
Performance characteristics		
Thermal insulation U_D	1.4 – 1.7 W/(m ² ·K)	1.4 – 1.7 W/(m ² ·K)
Water tightness under heavy rain	Class 2A	Class 2A
Air permeability	Class 1	Class 1
Mechanical strength	Class 3	Class 3
Differential climate behaviour	Class 1(d)/2(e)	Class 1(d)/2(e)
Operational durability test	Class 5	Class 5

	Styles 100/101		Styles 102 / 103	
	Width	Height	Width	Height
Size range				
Overall frame dimension (ordering size)	605 – 1300	1740 – 2500	1335 – 2600	1740 – 2500
Traffic leaf			500 – 1500	
Fixed leaf			500 – 1500	
Clear passage*	391 – 1086	1670 – 2430	1047 – 2312	1670 – 2430

Clear passage Page 30

Fixed glazings
Design variants Page 31

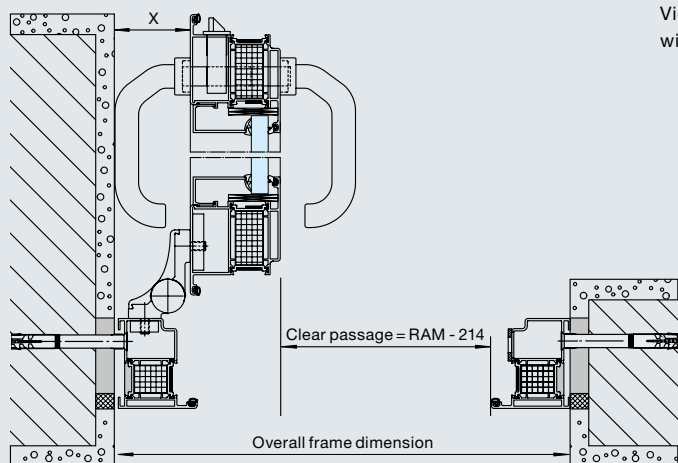
All dimensions in mm

* With an opening angle of 90° and without lever handles/handles

Clear passage for aluminium doors

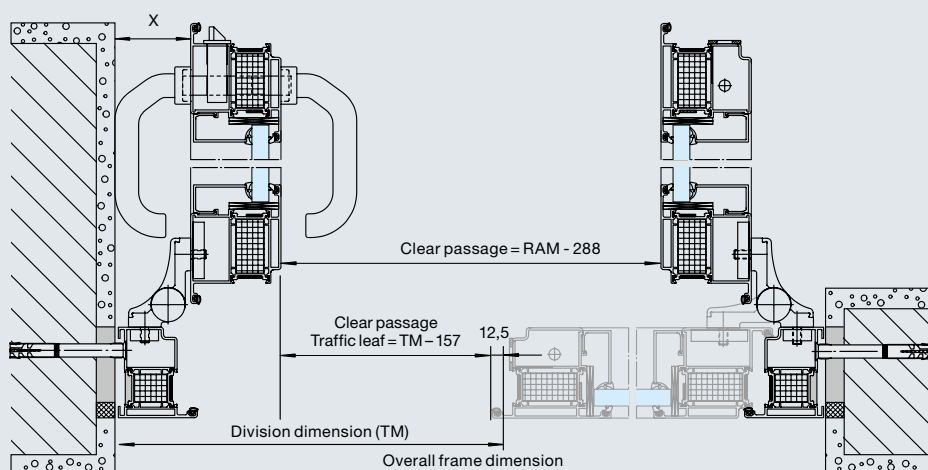
With door leaf open 90° and without fittings

Single-leaf door



View of T30 aluminium fire-rated door, single-leaf with 3-way adjustable hinge with 20 mm pivot point

Double-leaf door



View of T30 aluminium fire-rated door, double-leaf with 3-way adjustable hinge with 20 mm pivot point

Hinge system	Single-leaf door		Double-leaf door, overall		Double-leaf door, traffic leaf		Distance leaf / wall (x)
Door type	A / RS 150 ES 50	HE 311 HE 611 HE 911 A / RS 100 TC 80	A / RS 250 ES 50	HE 321 HE 621 HE 921 A / RS 200 TC 80	A / RS 250 ES 50	HE 321 HE 621 HE 921 A / RS 200 TC 80	
Depth	50	80	50	80	50	80	
3-way adjustable hinge, pivot point 20 mm	RAM - 184	RAM - 214	RAM - 228	RAM - 288	Division dimension - 127	Division dimension - 157	64
3-way adjustable hinge, pivot point 36 mm	RAM - 200	RAM - 230	RAM - 260	RAM - 320	Division dimension - 143	Division dimension - 173	80
Guide roller*, pivot point 16 mm	RAM - 179	RAM - 209	RAM - 218	RAM - 278	Division dimension - 117	Division dimension - 152	52

All dimensions refer to element assemblies

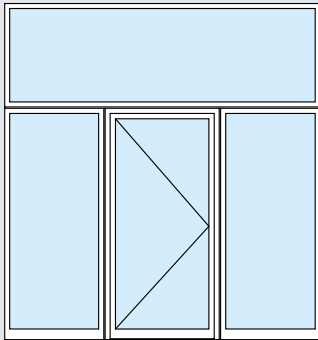
* not for HE 611, HE 621, HE 911, HE 921

Aluminium Fixed Glazings

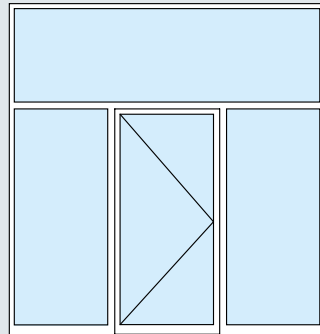
Design variants

Hörmann aluminium fire-rated doors are available either as a coupling construction for simple connection on-site, or as complete elements with a vertical/horizontal profile construction. Thus they can be easily matched to the fitting situation at the construction site.

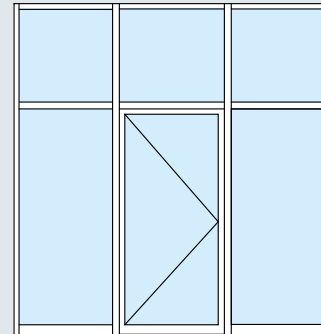
With the Hörmann plug-in system, the slim vertical/horizontal profile construction can also be assembled into walls of any size.



Coupling construction

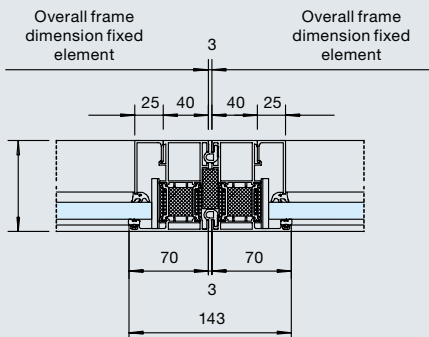


Vertical/horizontal profile construction as a complete element

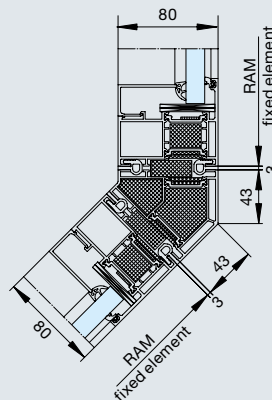


Vertical/horizontal profile construction as a plug-in system

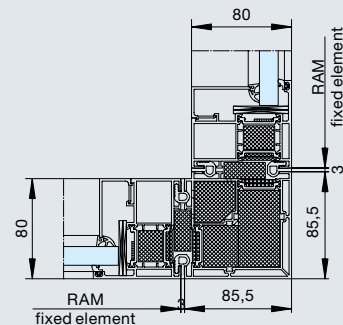
Coupling construction variants



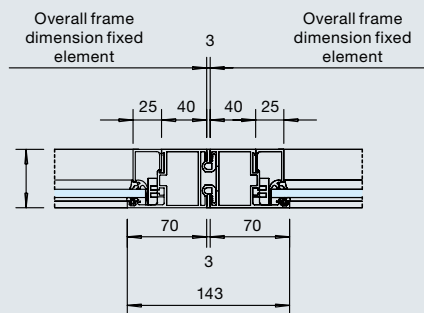
Aluminium F30 coupling 180°



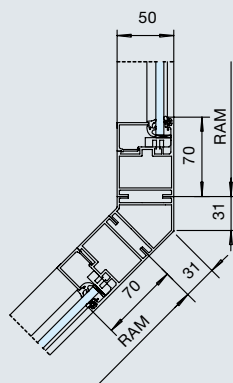
Aluminium F30 coupling 135°



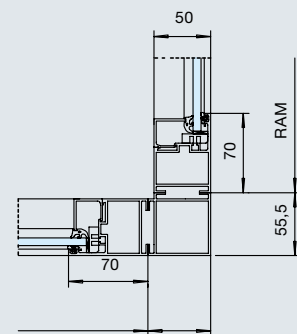
Aluminium F30 coupling 90°



Aluminium RS-3 coupling 180°



Aluminium RS-3 coupling 135°



Aluminium RS-3 coupling 90°

All dimensions in mm

T30 automatic sliding doors


Perfection and transparency in the most limited space –
with national technical approval



T30 Fire-retarding
DIN 4102

RS Smoke-tight
DIN 18095

 Recommended for barrier-free construction

 Personal safety according to EN 16005

At a glance:

- Matching the Hörmann aluminium fire-rated and smoke-tight door sets
- Maximum clear passage width up to 1200 mm (single-leaf), 2500 mm for double-leaf doors, maximum clear passage height up to 2500 mm
- No guide rail in the passage area
- GEZE operator Slimdrive SL-T30 with only 70 mm installation height
- Approved for fitting in brickwork / concrete and in partition walls
- National technical approval by the DIBt
- Safeguarding of sliding doors using sensors or glass protection leaves



Narrow profile view of the operator with only 70 mm installation height

DIBt
Deutsches Institut für Bautechnik
an der Bundesagentur für Bauwesen und Bautechnisches Prüfwesen
Prüfungsinstitut für Bautechnik
Technische Zulassung: DIBt und die Europäischen Länder
für die Angaben im Besonderen: DIBt e.V.

Tel.: +49 30 18733-0
Fax: +49 30 18733-206
E-Mail: DIBt@DIBt.de

Seit: 2. Oktober 2008
Standort: 10585 Berlin, D 11-1.8.20-01/07

Zulassungsnr.: 7-6-20-1-997
Ausgabedatum: 31. Oktober 2013

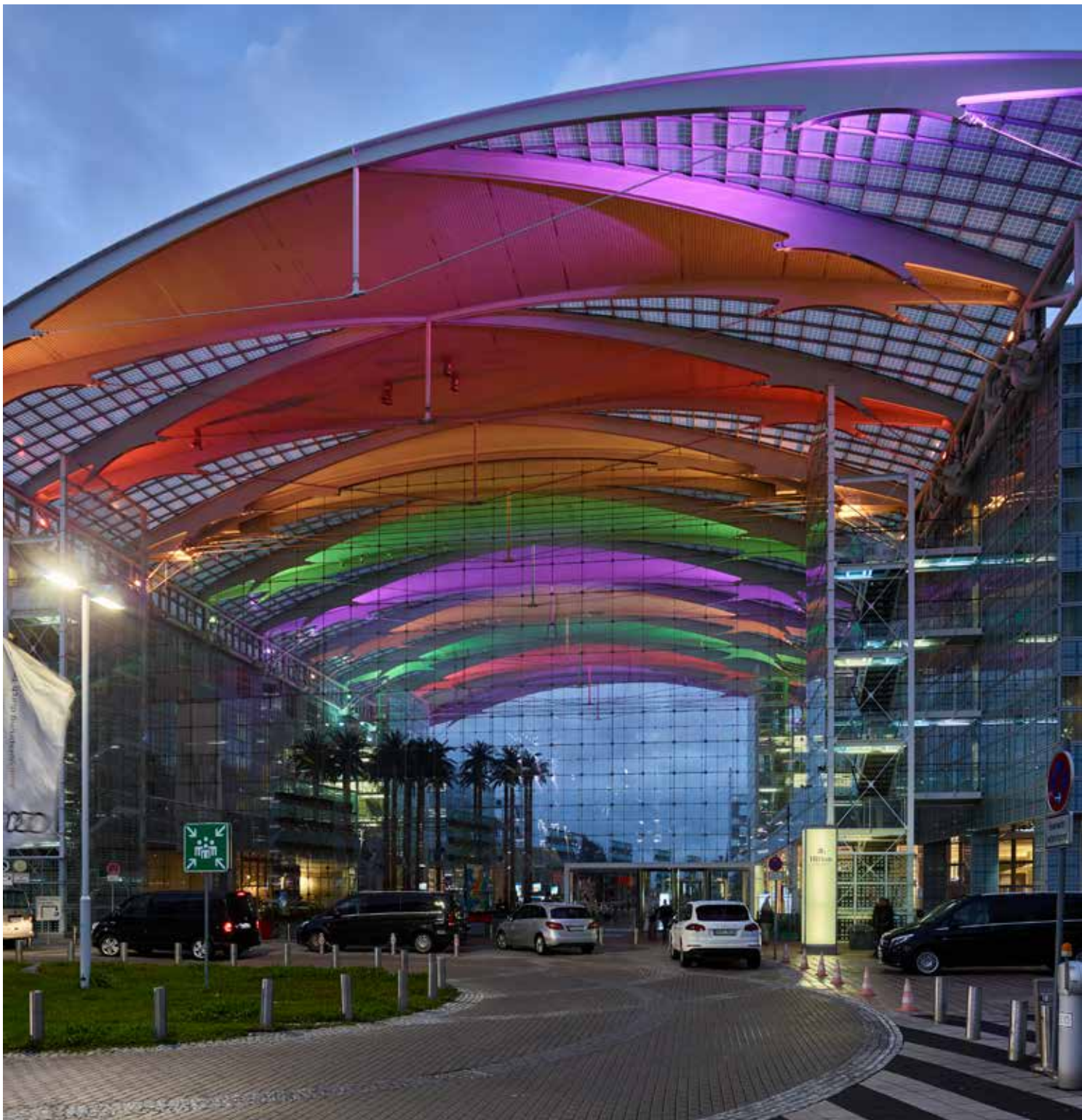
Zulassungsbereich:
T 30-2-FSA "RSW-2" bzw. T 30-1-05-FSA "ASV-1" bzw.
T 30-2-FSA "RSW-2" bzw. T 30-2-05-FSA "ASV-2" bzw.
T 30-2-FSA "ASV-2" bzw. T 30-2-05-FSA "ASV-2" bzw.
T 30-2-FSA "RSW-2" bzw. T 30-2-05-FSA "ASV-2"

Der oben genannte Zulassungszustand wird generell allgemein bautechnisch zugelassen.
Diese allgemeine bautechnische Zulassung umfasst nicht alle Seiten und sechs Anlagen.



Bundesinstitut für Bautechnik | Der von Bund und Ländern gemeinsam getragene Einrichtung
10585 Berlin | D-10585 Berlin | Tel.: +49 30 18733-0 | Fax: +49 30 18733-206 | E-Mail: DIBt@DIBt.de | www.dibt.de

Hilton Munich Airport Hotel, Munich
Architect: Murphy Jahn Architects, Chicago



Hörmann products

- T30 aluminium fire-rated and smoke-tight doors HE 311/321
- T30 automatic sliding doors ASW

T30 automatic sliding doors

ASW / ASV

Single and double-leaf doors

Main functions



Fire-retarding



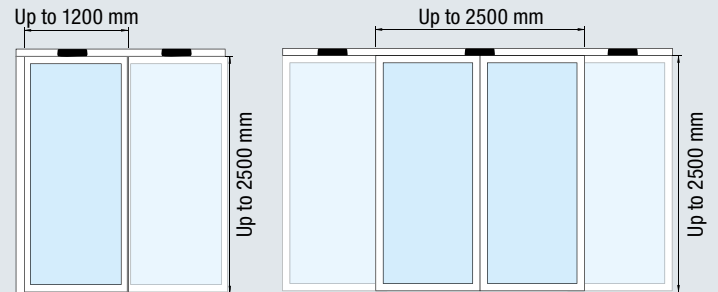
Smoke-tight



Recommended for barrier-free construction



Personal safety



	ASW-1 / ASV-1	ASW-2 / ASV-2
Version	Single-leaf door	Double-leaf door
Profile system	Aluminium	Aluminium
Viewed width	70	70
Depth	80	80
Bottom section view	150 / 82	150 / 82
Profile height of operator	70	70
Opening speed (adjustable)	20 – 70 cm/s	20 – 70 cm/s
Closing speed (adjustable)	20 – 50 cm/s (10 cm/s in case of a fire)	20 – 50 cm/s (10 cm/s in case of a fire)
Hold-open phase (adjustable)	0 – 60 s	0 – 60 s
Fitting in		
Brickwork	≥ 115	≥ 115
Concrete	≥ 100	≥ 100
Gas concrete	≥ 150	≥ 150
Partition wall	≥ 100	≥ 100

Wall requirements based on size can be found in the fitting instructions at www.hoermann.com

Clear passage dimension	ASW-1 / ASV-1		ASW-2 / ASV-2	
	Width (LDB)	Height (LDH)	Width (LDB)	Height (LDH)
Bottom section height 82 / 150 mm	900 – 1200	1950 – 2500	1300 – 2500	1950 – 2500

System dimensions		
Fitting in front of the wall	ASW-1	
	ASW-2	
	2 × LDB + 225	
Fitting in the opening	ASV-1	
	ASV-2	
	2 × LDB + 225	

Clear passage Page 36
 Fixed glazings Page 31
 Design variants Page 31

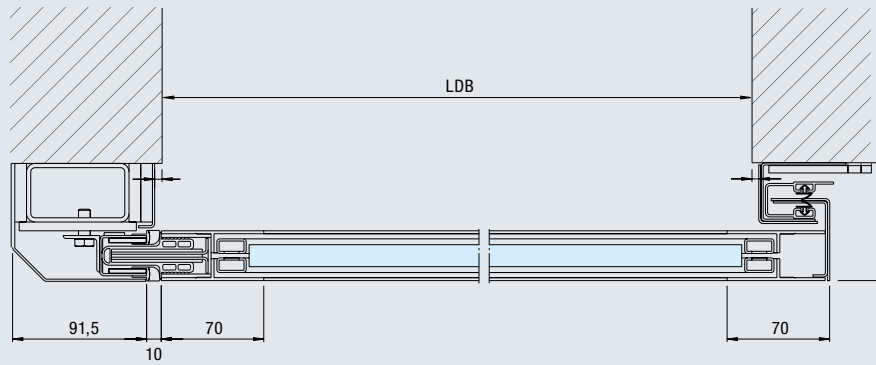
T30 automatic sliding doors

ASW / ASV

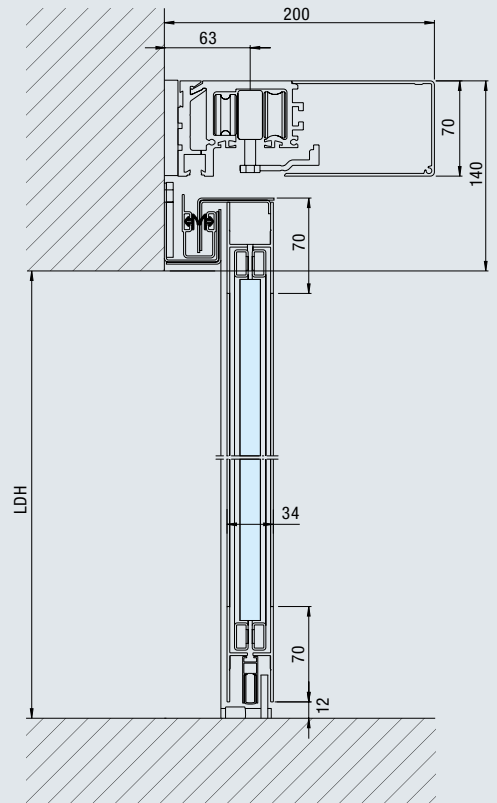
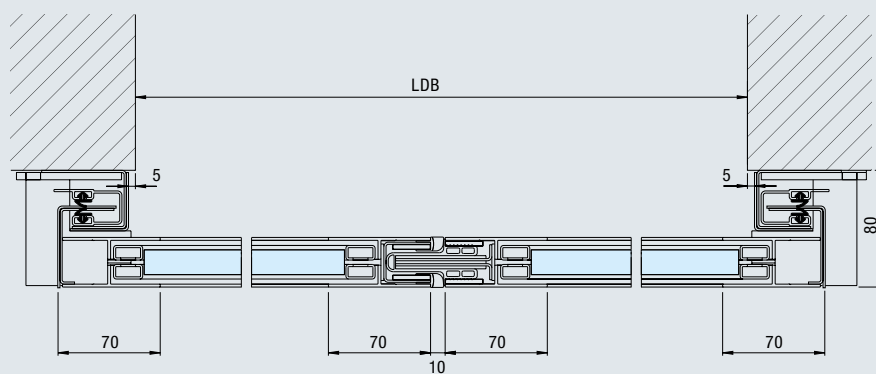
Single and double-leaf doors

Fitting in front of the wall

Single-leaf (ASW-1)

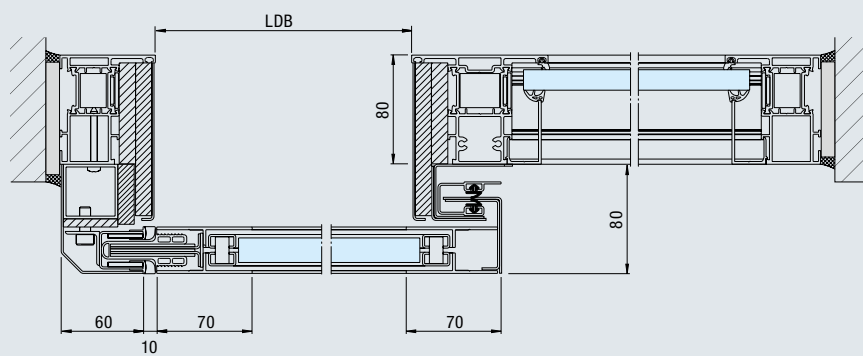


Double-leaf (ASW-2)

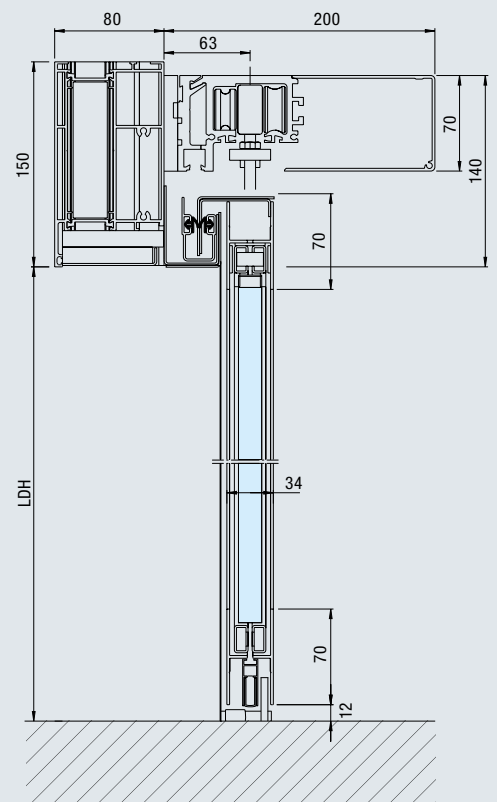
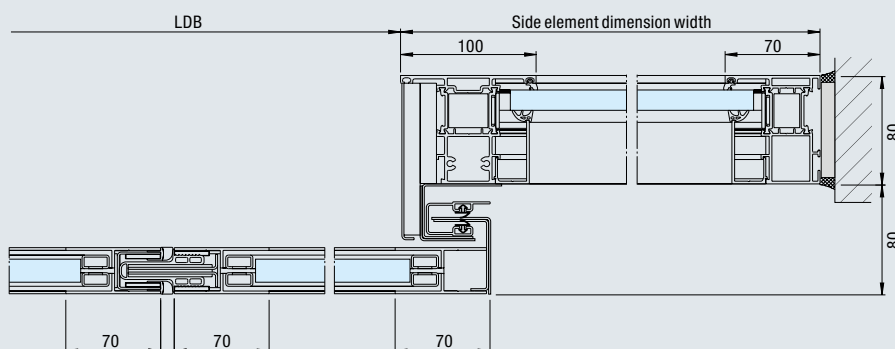


Fitting in the opening

Single-leaf (ASV-1)



Double-leaf (ASV-2)



Size ranges

Clear passage height Bottom section height 82 / 150 mm	Clear passage width				Clear passage width							
	Single-leaf doors ASW 1, ASV 1				Double-leaf doors ASW 2, ASV 2							
	900	1000	1100	1200	1800	1900	2000	2100	2200	2300	2400	2500
2500												
2475												
2450												
2425												
2400												
2375												
2350												
2325												
2300												
2275												
2250												
2225												
2200												
2175												
2150												
2125												
2100												
2075												
2050												
2025												
2000												
1975												
1950												
1925												
1900												

Types of glass:
Promaglas 30 type 1
Promaglas 30 type 1 or Pyrostop 30 – 20 (with UV protection)

Escape Route Sliding Door System Combination with Aluminium Tubular Frame Parts AS 30 / FR, AS 90 / FR

The transparent solution for passages with fire protection requirements





Only from Hörmann

Approved as a system solution

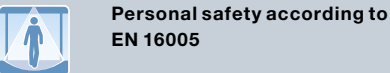
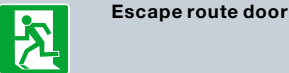
T30 Fire-retarding
DIN 4102

T90 Fire-proof
DIN 4102

RS Smoke-tight
DIN 18095

dB Acoustic-rated*
DIN EN ISO 717-7

RC 2 Break-in-resistant*
DIN EN 1627



At a glance:

Automatic sliding door

- Delicate look with a narrow aluminium profile frame
- Low operator height of only 100 mm
- Safe, monitored handling with sensor monitoring
- High-performance for high opening frequencies
- Insulated glazing with safety glass

Fire-rated and smoke-tight door assembly

- Aluminium profile system
- 3-way adjustable hinges with up to 180° opening angle
- Slide rail overhead door closer for secure closing in case of fire
- Electromagnetic magnet for continuous opening during daytime operation
- Optionally available in an RC 2 version
- Versions with transom light and multiple side elements are also possible



Normal operation / daily operation (view fire-rated and smoke-tight door assembly)

In normal operation or daily operation, electromagnetic hold-open devices hold the door leaves of the fire-rated door open up to 180°. In this position, the frame profiles of this door are secured in the same alignment as the frame profiles of the side elements, resulting in a virtually parallel, harmonious profile view. The AS 30 / FR automatic sliding door is the perfect solution for barrier-free passages with fire protection and escape route requirements.



In case of danger/ night operation (view of automatic sliding door)

In case of fire, the door leaves of the sliding door are automatically held open and the door leaves of the fire-rated door are closed, while ensuring escape route security and anti-panic function. With safety equipment, this system can also be used as a secure night door.

* Acoustic insulation and break-in resistance only possible for closed fire-rated and smoke-tight door assembly, e.g. during the night.

Escape Route Sliding Door System Combination with Aluminium Tubular Frame Parts AS 30 / FR, AS 90 / FR

Single and double-leaf door combination

Main functions

T30

Fire-retarding

RS

Smoke-tight

dB

Acoustic-rated*
Up to 42 dB

RC 2

Break-in-resistant*



Recommended
for barrier-free
construction

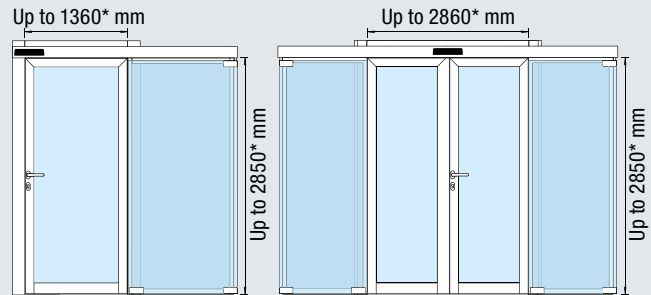


Personal safety



Certified as an
escape route door

* Acoustic insulation and break-in resistance only possible for closed fire-rated and smoke-tight door assembly, e.g. during the night.



* Dimensions for version with 70 mm frame; refer to the table for additional dimensions.

	AS 30-1 / FR	AS 30-2 / FR
Version	Single-leaf door	Double-leaf door
Profile system	Aluminium	Aluminium
Automatic sliding door		
Viewed width	35	35
Depth	30	30
Bottom section view	47	47
Profile height of operator	100	100
Opening speed (adjustable)	55 – 75 cm/s	55 – 75 cm/s
Closing speed (adjustable)	10 – 50 cm/s	10 – 50 cm/s
Hold-open phase (adjustable)	0 – 180 s	0 – 180 s
Fire-rated and smoke-tight door		
Viewed width	70 / 110	70 / 110
Depth	80	80
Bottom section view	105 / 150	105 / 150
Fitting in		
Brickwork	≥ 115	≥ 115
Concrete	≥ 100	≥ 100
Gas concrete	≥ 150	≥ 150
Partition wall	≥ 100	≥ 100

Wall requirements based on size can be found in the fitting instructions at www.hoermann.com

	AS 30-1 / FR		AS 30-2 / FR	
	Width (LDB)	Height (LDH)	Width (LDB)	Height (LDH)
Clear passage dimension				
110 mm frame width	900 – 1280	2000 – 2850	1360 – 2780	2000 – 2850
70 mm frame width	900 – 1360	2000 – 2850	1360 – 2860	2000 – 2850

System dimensions

Doors without side elements	System width	Space requirements	System width	Space requirements
With side edge safety device	$RAMB = 2 \times LDB + 50 + 60$ (operator length)	RAM fire-rated door	$RAMB = 2 \times LDB + 100$ (operator length)	RAM fire-rated door
Doors with side elements	System width / space requirement		System width / space requirement	
Opening inwards	Side element = $LDB + 32$ mm $RAMB = LDB + 192$ mm (operator length)		Side element = $LDB / 2 + 20$ mm* $RAMB = LDB \times 2 + 140$ mm (operator length)	
Opening outwards	Side element = $LDB + 3$ mm* $RAMB = LDB + 192$ mm (operator length)		Side element = $LDB / 2 + 20$ mm* $RAMB = LDB \times 2 + 140$ mm (operator length)	

* Standard version for matching appearance with 180° opening of hinged leaf.

Main functions

T90

Fire-proof

RS

Smoke-tight

dB

Acoustic-rated*
Up to 42 dB

RC 2

Break-in-resistant*



Recommended
for barrier-free
construction

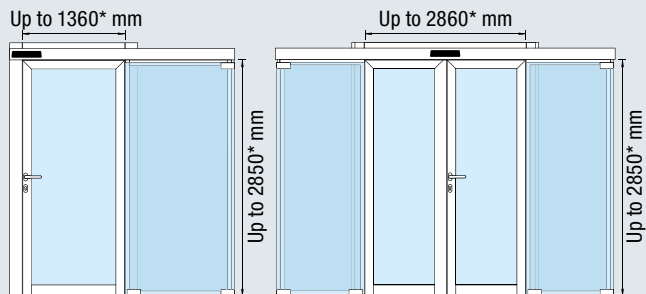


Personal safety



Certified as an
escape route door

* Acoustic insulation and break-in resistance only possible for closed fire-rated and smoke-tight door assembly, e.g. during the night.



* Dimensions for version with 70 mm frame; refer to the table for additional dimensions.

	AS 90-1 / FR	AS 90-2 / FR
Version	Single-leaf door	Double-leaf door
Profile system	Aluminium	Aluminium
Automatic sliding door		
Viewed width	35	35
Depth	30	30
Bottom section view	47	47
Profile height of operator	100	100
Opening speed (adjustable)	55 – 75 cm/s	55 – 75 cm/s
Closing speed (adjustable)	10 – 50 cm/s	10 – 50 cm/s
Hold-open phase (adjustable)	0 – 180 s	0 – 180 s
Fire-rated and smoke-tight door		
Viewed width	70 / 110	70 / 110
Depth	80	80
Bottom section view	105 / 150	105 / 150
Fitting in		
Brickwork	≥ 240	≥ 240
Concrete	≥ 140	≥ 140
Gas concrete	≥ 240	≥ 240
Partition wall	≥ 100	≥ 100

Wall requirements based on size can be found in the fitting instructions at www.hoermann.com

	AS 90-1 / FR		AS 90-2 / FR	
	Width (LDB)	Height (LDH)	Width (LDB)	Height (LDH)
Clear passage dimension				
110 mm frame width	900 – 1280	2000 – 2650	1360 – 2630	2000 – 2650
70 mm frame width	900 – 1360	2000 – 2650	1360 – 2710	2000 – 2650

System dimensions				
Doors without side elements	System width	Space requirements	System width	Space requirements
With side edge safety device	RAMB = 2 × LDB + 50 + 60 (operator length)	RAM fire-rated door	RAMB = 2 × LDB + 100 (operator length)	RAM fire-rated door
Doors with side elements	System width / space requirement		System width / space requirement	
Opening inwards	Side element = LDB + 32 mm RAMB = LDB + 192 mm (operator length)		Side element = LDB / 2 + 20 mm* RAMB = LDB × 2 + 140 mm (operator length)	
Opening outwards	Side element = LDB + 3 mm* RAMB = LDB + 192 mm (operator length)		Side element = LDB / 2 + 20 mm* RAMB = LDB × 2 + 140 mm (operator length)	

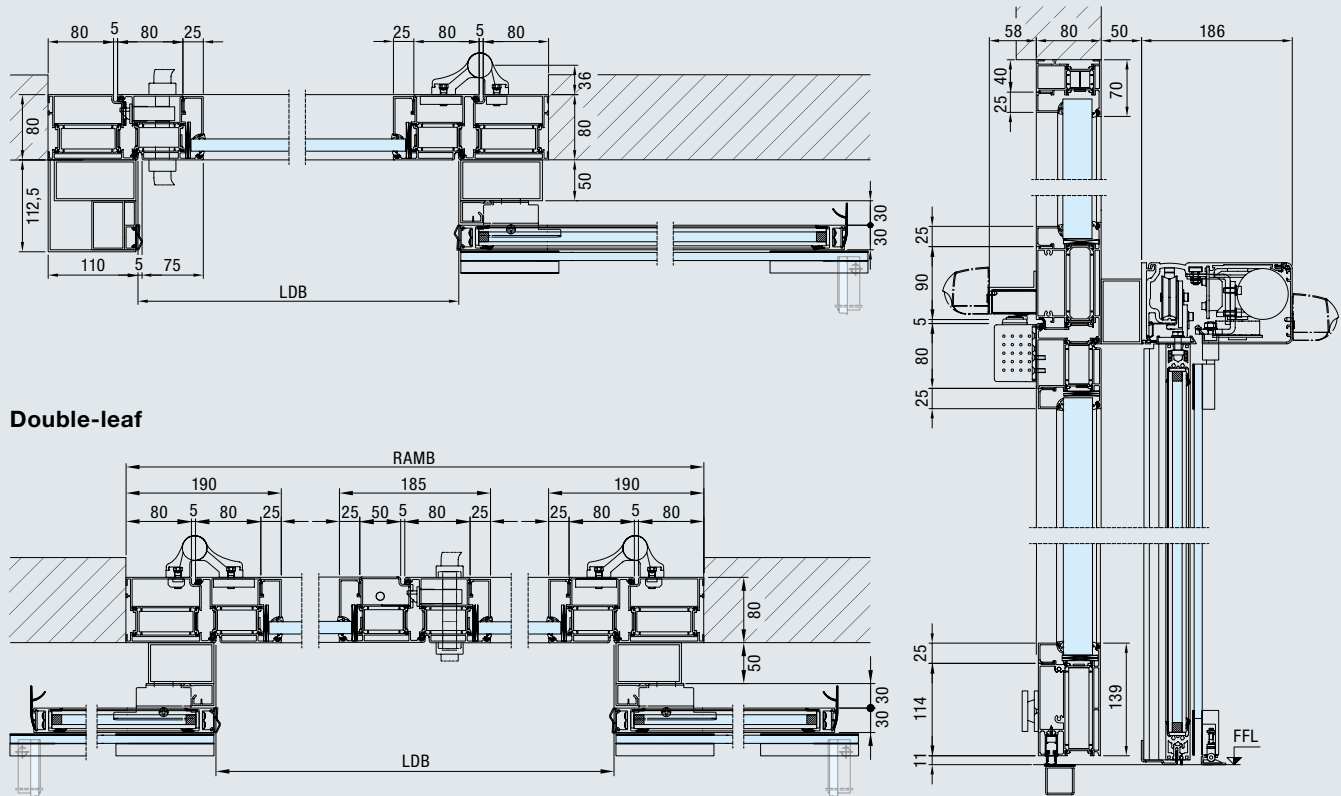
* Standard version for matching appearance with 180° opening of hinged leaf.

All dimensions in mm

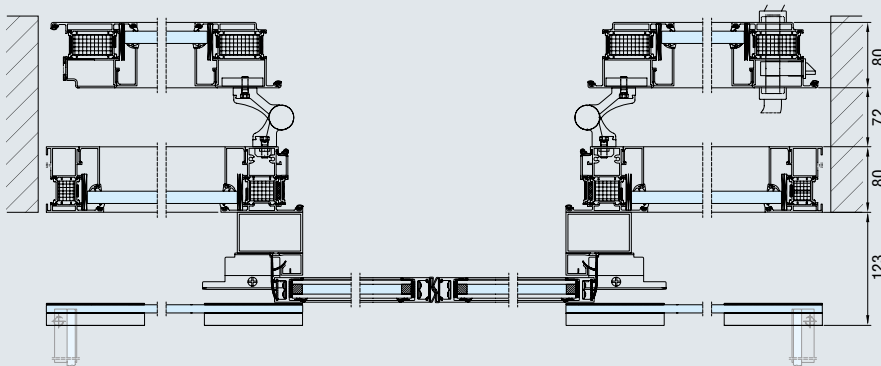
Escape Route Sliding Door System Combination with Aluminium Tubular Frame Parts AS 30 / FR, AS 90 / FR

Fitting in the opening, version without side elements

Single-leaf



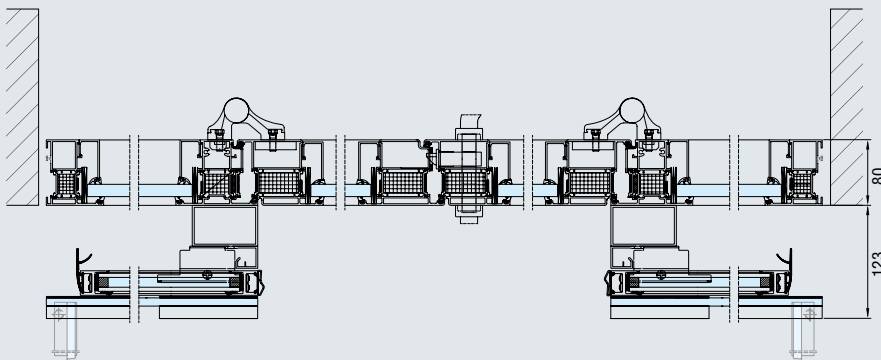
Normal operation / daily operation, version with side elements



**Fully glazed fire-rated door
with leaves open 180°**

**Automatic sliding door
in automatic operation**

In case of danger / night operation, version with side elements



**Fully glazed fire-rated door
with closed leaves**

**Automatic sliding door
with open doors**

Steel Tubular Frame Parts

System overview



S-Line

T30 Fire-retarding
HL 310 S
HL 320 S

F30 Fire-retarding
HL 330 S
HL 330 S / SW

RS Smoke-tight
S / RS 100 S
S / RS 200 S
S / RS 300 S

dB Acoustic-rated

RC 2 Break-in-resistant

A/C2 Anti-fall safeguard
acc. to DIN 18008-4
(previously TRAV)
HL 330 S
HL 330 S / SW
S / RS 300 S

N-Line

T30 Fire-retarding
HL 310
HL 320

F30 Fire-retarding
HL 330
HL 330 SW

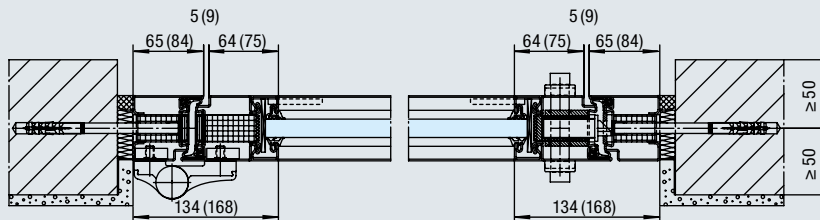
RS Smoke-tight
S / RS 100
S / RS 200
S / RS 300

dB Acoustic-rated

RC 2 Break-in-resistant

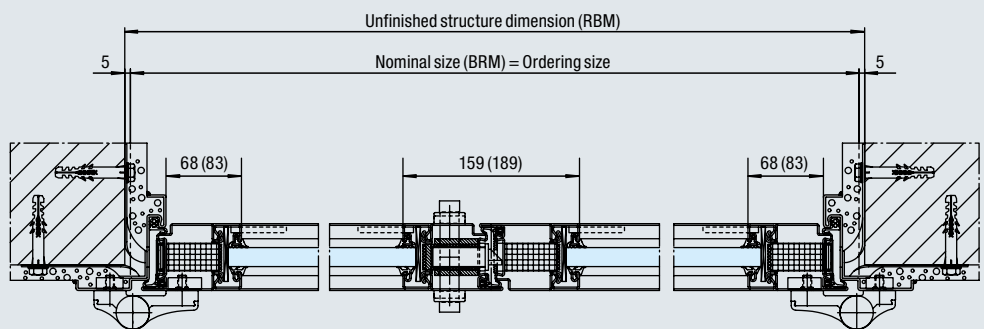
A/C2 Anti-fall safeguard
acc. to DIN 18008-4
(previously TRAV)
HL 330
HL 330 SW
S / RS 300

Single-leaf door with fascia frame



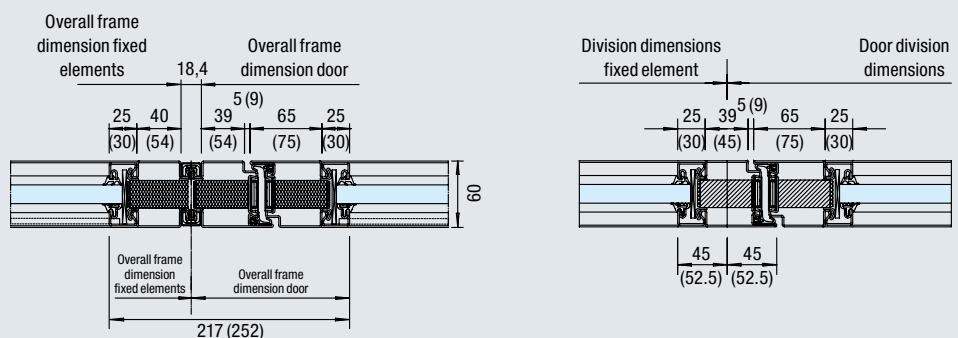
View T30 steel S-Line (steel N-line dimensions in brackets)

Double-leaf door with steel frame



View T30 steel S-Line (steel N-line dimensions in brackets)

Fixed glazing



Door / fixed element coupled

Door / fixed element vertical profile construction

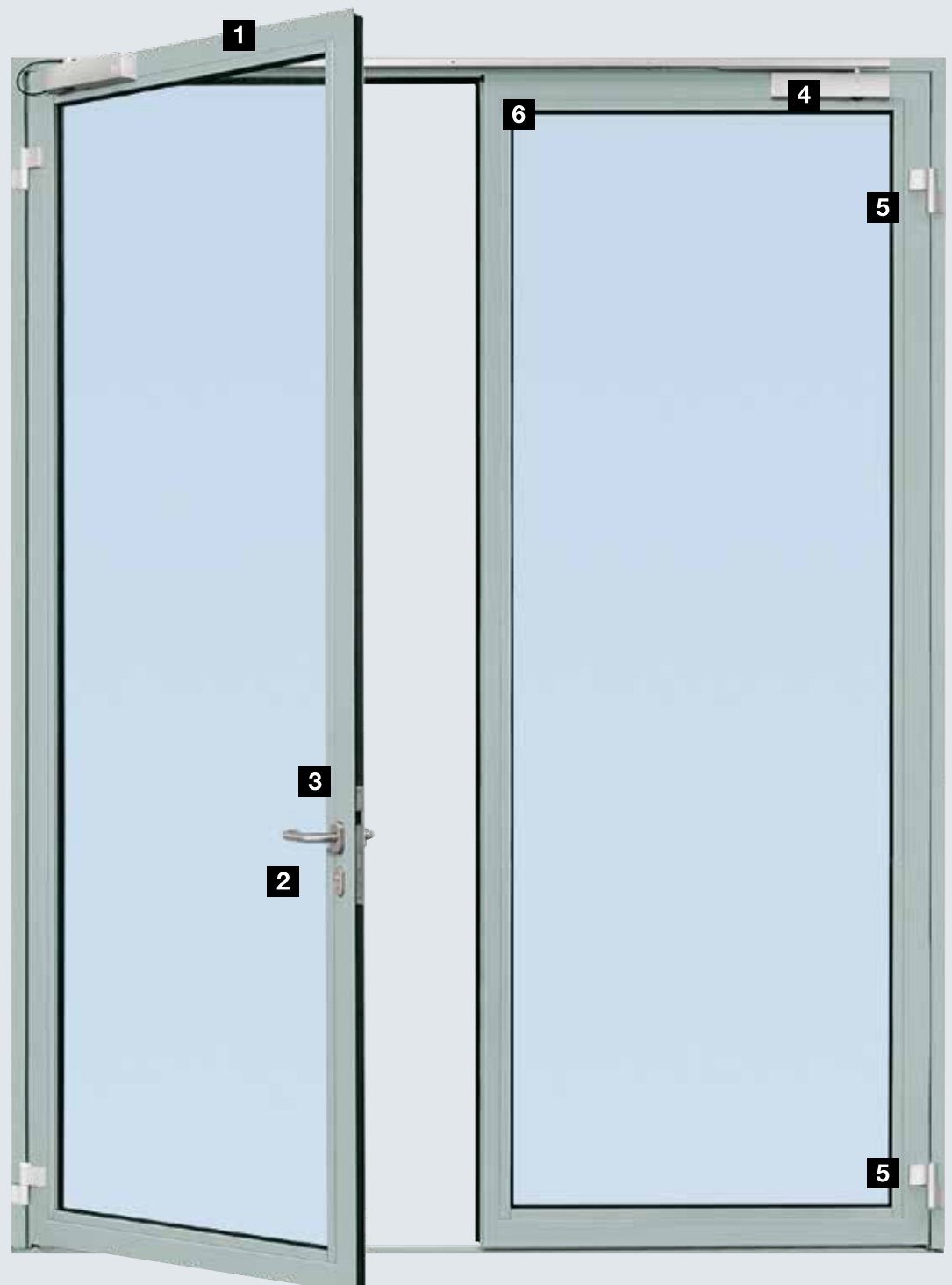
View T30 steel S-Line (steel N-line dimensions in brackets)

Steel Tubular Frame Parts

Equipment features

1 Uniform colour scheme

Hörmann offers you doors, frames, fittings, hinges and closing devices in a matching colour scheme. This allows the door to fit harmoniously into the room concept. As standard, we offer the steel fire and smoke protection elements with a powder-coated primer in Traffic white RAL 9016 (gloss level 35 %). The elements are optionally available in inexpensive preferred colours (gloss level 35 %), as well as in RAL to choose or special colours.



2 Lock

As standard, all Hörmann fire-rated and smoke-tight doors are equipped with a latch catch lock. The fixed leaf is secured by a rebate espagnolette lock. Optionally, we offer anti-panic locks, also self-locking.

3 Lever handle set

As standard, we offer all door sets with an offset aluminium lever/lever handle set with a steel core including a cylinder rose escutcheon. Optionally, you can also choose lever handles and lever / knob handle sets as well as aluminium and stainless steel panic bars.

4 Closing devices

As standard, all fire-rated and smoke-tight doors are equipped according to DIN EN 1154 with a slide rail overhead door closer on the hinge side, and with an integrated door leaf selector for double-leaf doors. Integrated overhead door closers are also available for a particularly harmonious door appearance.

5 Hinges

A The standard 3-way adjustable hinge for T30 and RS doors is three-way adjustable, with a pivot point of either 20 or 36 mm. This aluminium hinge is available anodised, powder-coated in all colours or with a stainless steel finish.

B Alternatively, for slim S-Line profiles, the narrow steel guide roller is also available as a version for welding or screwing on (pivot point 12 mm). It highlights the vertical line and is available with the same surface finish as the door or in stainless steel.

C The concealed hinges are integrated in the fascia frame and door leaf. This is coupled with an integrated closing system and thus the all-round profile is not interrupted by a surface-mounted element.

6 Glazing beads

D As standard, the doors are equipped all-round and on both sides of the door with rectangular steel glazing beads. This detail gives the door a very elegant overall appearance.

E For an exclusive industrial look you can also choose screwed angle glazing beads for both sides of the door.

F We also offer a screwed angle glazing bead with edge recess, which is fitted on both sides of the door, giving the door a delicate filigree touch.



Slide rail overhead door closer



A 3-way adjustable hinges as standard



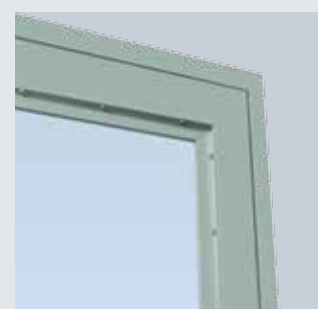
B Guide roller



C Concealed hinge



D Rectangular glazing bead



E Screwed angle glazing bead



F Screwed angle glazing bead with edge recess

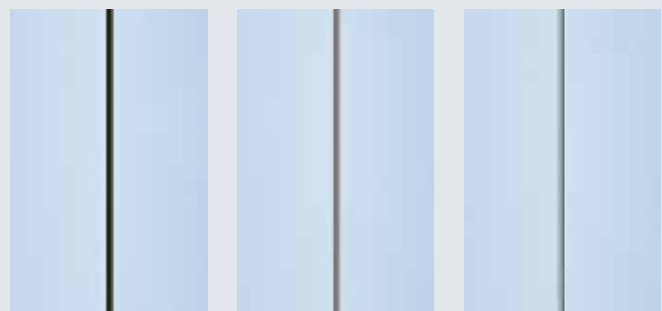
F30 Steel System Wall

Matching the S-Line and N-Line steel fire-rated and smoke-tight doors



Discreet glazing joint

The individual glass panes are jointed by silicone (joint width 5 mm). The silicone joint is available in black, grey and transparent.



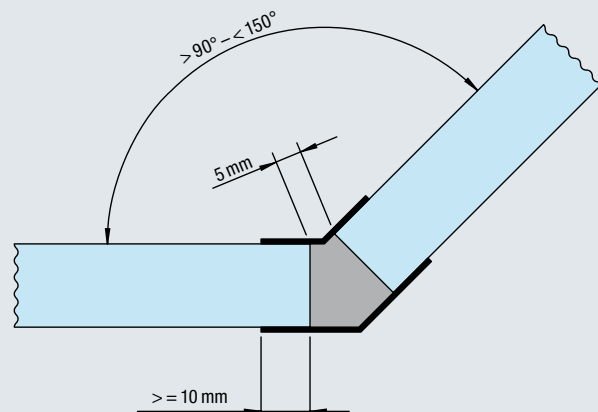
Black silicone joint

Grey silicone joint

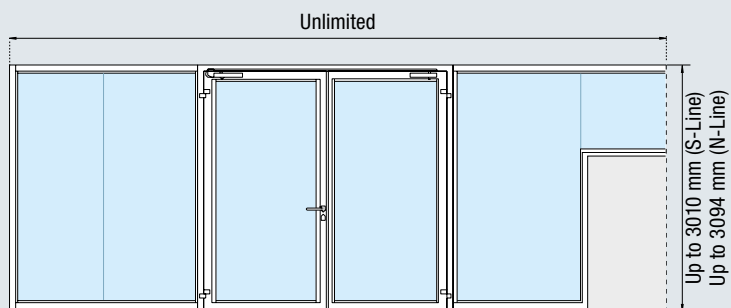
Transparent silicone joint

Corner joint

In corner areas with any angle, this system glazing does not require corner posts. The joint with fire-rated silicone is elegantly concealed on the inside and outside by a glued-on slim metal angle profile. A technically and visually appealing solution.



HL 330 S / SW, HL 330 SW



Main functions

F30

Fire-retarding

RS

Smoke-tight

A/C2

Anti-fall safeguard
acc. to DIN 18008-4
(previously TRAV)

HL 330 S / SW
HL 330 SW

	HL 330 S / SW	HL 330 SW
Version	Fixed glazing	Fixed glazing
Profile system	Steel S-Line	Steel N-Line
Viewed width	134	168
Depth	60	60
Bottom section height	70 / 81	84 / 150

Fitting in

Brickwork	≥ 115	≥ 115
Concrete	≥ 100	≥ 100
Gas concrete	≥ 150	≥ 150
Partition wall	≥ 100	≥ 100

Wall requirements based on size can be found in the fitting instructions at www.hoermann.com

Size range	HL 330 S / SW S-Line		HL 330 SW N-Line	
	Width	Height	Width	Height
With fascia frame				
Overall frame dimension (ordering size)	Unlimited	3010	Unlimited	3094
Maximum door height	Unlimited	3000	Unlimited	3000

T30 Steel Fire and Smoke Protection Elements S-Line

HL 310 S, HL 320 S, HL 330 S

Single and double-leaf doors, fixed glazing

Main functions

T30

Fire-retarding
HL 310 S
HL 320 S

F30

Fire-retarding
HL 330 S

RS

Smoke-tight

dB

Acoustic-rated
Acoustic values from
34–42 dB
31 dB (G 300 S)

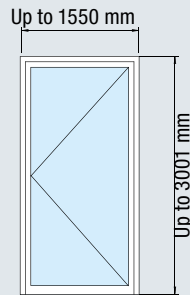
RC 2

Break-in-resistant
HL 310 S up to
1500 × 2800 mm
HL 320 S up to
1500 × 2800 mm

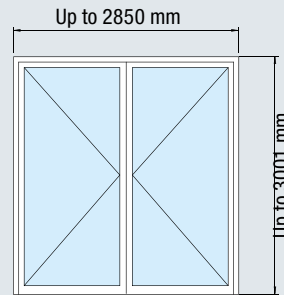
A/C2

Anti-fall safeguard
acc. to DIN 18008-4
(previously TRAV)
HL 330 S

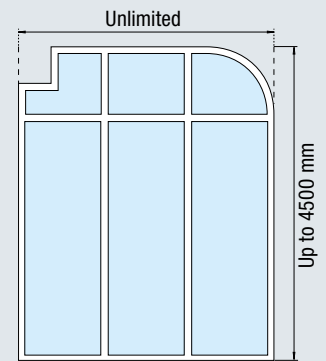
HL 310 S



HL 320 S



HL 330 S



	HL 310 S	HL 320 S	HL 330 S
Version	Single-leaf door	Double-leaf door	Fixed glazing
Profile system	Steel S-Line	Steel S-Line	Steel S-Line
Viewed frame width	134	134	65
Depth	60	60	60
Bottom section height	76	76	76

Fitting in

Brickwork	≥ 115	≥ 115	≥ 115
Concrete	≥ 100	≥ 100	≥ 100
Gas concrete	≥ 150	≥ 150	≥ 150
Partition wall	≥ 100	≥ 100	≥ 100

Wall requirements based on size can be found in the fitting instructions at www.hoermann.com

Size range	HL 310 S		HL 320 S	
	Width	Height	Width	Height
With fascia frame				
Overall frame dimension (ordering size)	567 – 1562	1721 – 3001	1317 – 3012	1721 – 3001
Clear passage	437 – 1432	1656 – 2936	1187 – 2822	1656 – 2936
With steel frame				
Nominal size (ordering size)	499 – 1485	1687 – 2278	1244 – 2844	1687 – 2278
Clear passage	385 – 1371	1655 – 2246	1085 – 2680	1655 – 2246
Traffic leaf division			500 – 1425	
Fixed leaf division			500 – 1425	

Size range	HL 330 S	
	Width	Height
Overall frame dimension (ordering size)	Unlimited	4500
Maximum door height*		3000

* For combination of door (HL 310 S, HL 320 S) and fixed glazing HL 330 S

Clear passage Page 54

Fixed glazings
Design variants Page 55

Steel Smoke Protection Elements S-Line

S / RS 100 S, S / RS 200 S, S / RS 300 S

Single and double-leaf doors, fixed glazing

Main functions

RS

Smoke-tight

dB

Acoustic-rated

Acoustic values from 32–42 dB

RC 2

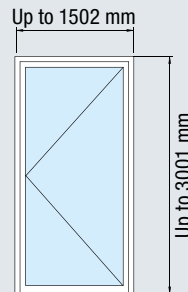
Break-in-resistant

S / RS 100 S up to 1500 × 2800 mm
S / RS 200 S up to 2850 × 2800 mm

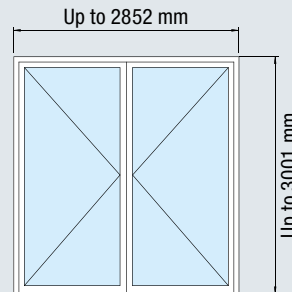
A/C2

Anti-fall safeguard acc. to DIN 18008-4 (previously TRAV)
S / RS 300 S

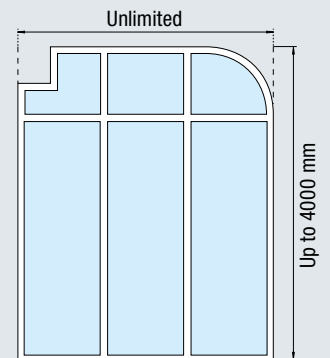
S / RS 100 S



S / RS 200 S



S / RS 300 S



	S / RS 100 S	S / RS 200 S	S / RS 300 S
Version	Single-leaf door	Double-leaf door	Fixed glazing
Profile system	Steel S-Line	Steel S-Line	Steel S-Line
Viewed width	134	134	65
Depth	60	60	60
Bottom section height	76	76	76
Fitting in			
Brickwork	≥ 115	≥ 115	≥ 115
Concrete	≥ 100	≥ 100	≥ 100
Gas concrete	≥ 100	≥ 100	≥ 100
Partition wall	≥ 100	≥ 100	≥ 100

Wall requirements based on size can be found in the fitting instructions at www.hoermann.com

Size range	S / RS 100 S		S / RS 200 S	
	Width	Height	Width	Height
With fascia frame				
Overall frame dimension (ordering size)	567 – 1502	1721 – 3001	1317 – 2852	1721 – 3001
Clear passage	475 – 1370	1675 – 2936	1187 – 2722	1675 – 2936
With steel frame				
Nominal size (ordering size)	499 – 1432	1706 – 2967	1249 – 2784	1706 – 2967
Clear passage	385 – 1318	1674 – 2935	1085 – 2620	1674 – 2935
Traffic leaf division			500 – 1425	
Fixed leaf division			500 – 1425	

Size range	S / RS 300 S	
	Width	Height
Overall frame dimension (ordering size)	Unlimited	4000
Maximum door height*		3000
TRAV		
Max. element size	Unlimited	4000
Min. pane size	800	1000
Max. pane size	Depending on glass type according to table 2 TRAV	

* For combination of door (S / RS 100 S, S / RS 200 S) and fixed glazing (S / RS 300 S)

Clear passage Page 54

Fixed glazings
Design variants Page 55

T30 Steel Fire and Smoke Protection Elements N-Line

HL 310, HL 320, HL 330

Single and double-leaf doors, fixed glazings

Main functions

T30

Fire-retarding
HL 310 S
HL 320 S

F30

Fire-retarding
HL 330

RS

Smoke-tight

dB

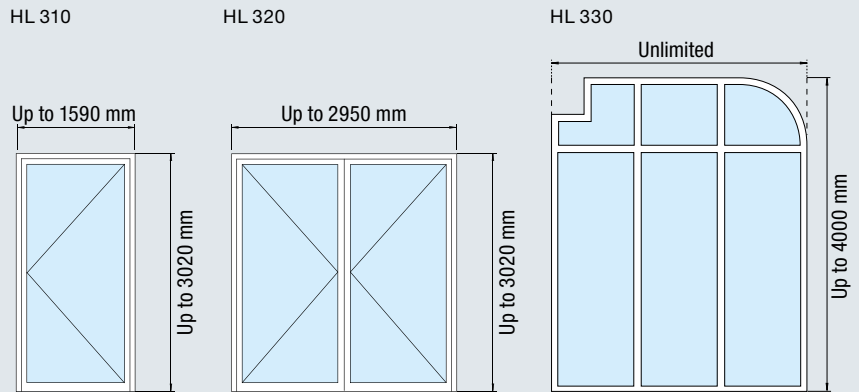
Acoustic-rated
Acoustic values from
34–42 dB
31 dB (G 300)

RC 2

Break-in-resistant
HL 310 S up to
1500 × 2800 mm
HL 320 S up to
1500 × 2800 mm

A/C2

Anti-fall safeguard
acc. to DIN 18008-4
(previously TRAV)
HL 330



	HL 310	HL 320	HL 330
Version	Single-leaf door	Double-leaf door	Fixed glazing
Profile system	Steel N-Line	Steel N-Line	Steel N-Line
Viewed frame width	168	168	84
Depth	60	60	60
Bottom section height	84 / 150	84 / 150	84 / 150

Fitting in

Brickwork	≥ 115	≥ 115	≥ 115
Concrete	≥ 100	≥ 100	≥ 100
Gas concrete	≥ 150	≥ 150	≥ 150
Partition wall	≥ 100	≥ 100	≥ 100

Wall requirements based on size can be found in the fitting instructions at www.hoermann.com

Size range	HL 310		HL 320	
	Width	Height	Width	Height
With fascia frame				
Overall frame dimension (ordering size)	605 – 1600	1740 – 3020	1355 – 2950	1740 – 3020
Clear passage	437 – 1432	1656 – 2936	1187 – 2882	1656 – 2936
With steel frame				
Nominal size (ordering size)	499 – 1485	1687 – 2278	1249 – 2844	1687 – 2278
Clear passage	385 – 1371	1655 – 2246	1085 – 2680	1655 – 2246
Traffic leaf division			500 – 1445	
Fixed leaf division			500 – 1445	

Size range	HL 330	
	Width	Height
Overall frame dimension (ordering size)	Unlimited	4000
Maximum door height*		3000

* For combination of door (HL 310, HL 320) and fixed glazing (HL 330)

Clear passage Page 54

Fixed glazings
Design variants Page 55

Steel Smoke Protection Elements N-Line

S / RS 100, S / RS 200, S / RS 300

Single and double-leaf doors, fixed glazing

Main functions

RS

Smoke-tight

dB

Acoustic-rated

Acoustic values from 32–42 dB

RC 2

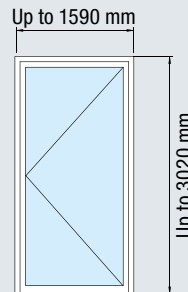
Break-in-resistant

S / RS 100 up to 1540 × 2820 mm
S / RS 200 up to 2940 × 2820 mm

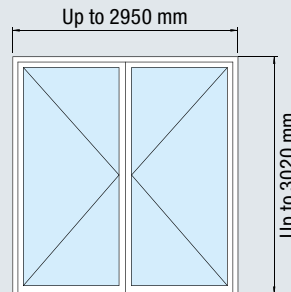
A/C2

Anti-fall safeguard acc. to DIN 18008-4 (previously TRAV)
S / RS 300

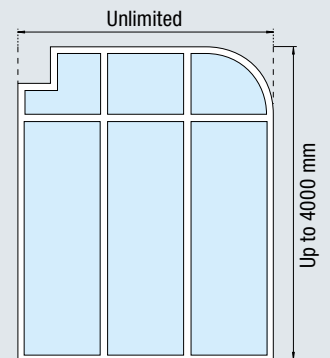
S / RS 100



S / RS 200



S / RS 300



	S / RS 100	S / RS 200	S / RS 300
Version	Single-leaf door	Double-leaf door	Fixed glazing
Profile system	Steel N-Line	Steel N-Line	Steel N-Line
Viewed width	168	168	84
Depth	60	60	60
Bottom section height	84 / 150	84 / 150	84 / 150
Fitting in			
Brickwork	≥ 115	≥ 115	≥ 115
Concrete	≥ 100	≥ 100	≥ 100
Gas concrete	≥ 150	≥ 150	≥ 150
Partition wall	≥ 100	≥ 100	≥ 100

Wall requirements based on size can be found in the fitting instructions at www.hoermann.com

Size range	S / RS 100		S / RS 200	
	Width	Height	Width	Height
With fascia frame				
Overall frame dimension (ordering size)	605 – 1538	1740 – 3020	1355 – 2890	1740 – 3020
Clear passage	475 – 1370	1675 – 2936	1187 – 2722	1675 – 2936
With steel frame				
Nominal size (ordering size)	499 – 1432	1706 – 2967	1249 – 2784	1706 – 2967
Clear passage	385 – 1318	1674 – 2935	1085 – 2620	1674 – 2935
Traffic leaf division			500 – 1445	
Fixed leaf division			500 – 1445	

Size range	S / RS 300	
	Width	Height
Overall frame dimension (ordering size)	Unlimited	4000
Maximum door height*		3000
TRAV		
Max. element size	Unlimited	4000
Min. pane size	800	1000
Max. pane size	Depending on glass type according to table 2	

* For combination of door (S / RS 100, S / RS 200) and fixed glazing (S / RS 300)

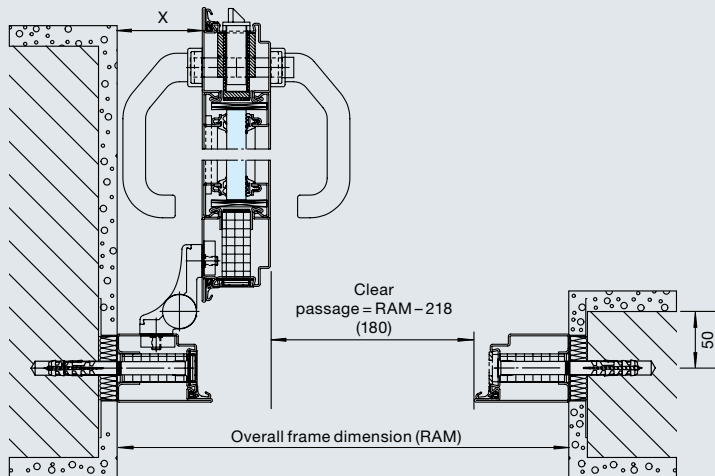
Clear passage Page 54
Fixed glazings Page 55
Design variants Page 55

Clear Passage for Steel Doors

With door leaf open 90° and without fittings

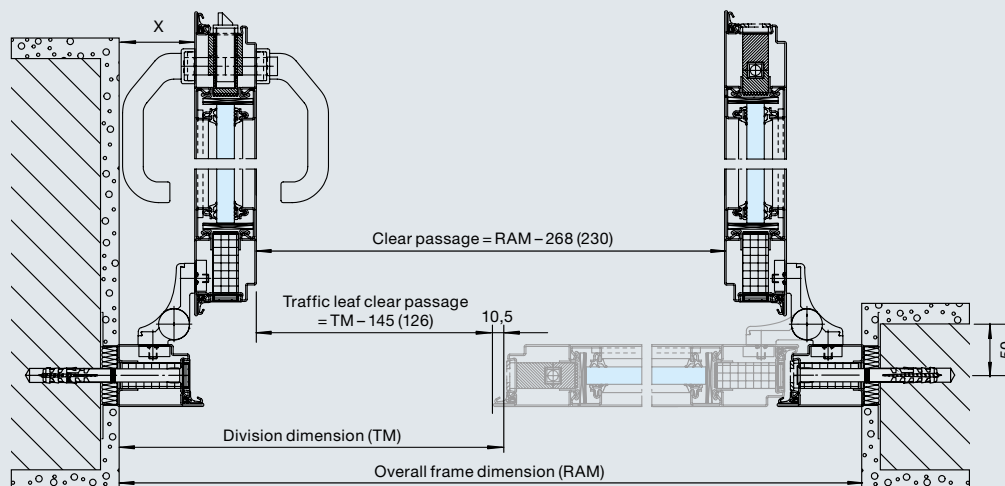
Single-leaf door

View of T30 steel fire-rated and smoke-tight door N-Line, single-leaf with 3-way adjustable hinges with pivot point 20 mm. (S-Line)



Double-leaf door

View of T30 steel fire-rated and smoke-tight door N-Line, double-leaf with 3-way adjustable hinges with pivot point 20 mm. (S-Line)



S-Line

Hinge system	Single-leaf door	Double-leaf door, overall	Double-leaf door, traffic leaf	Distance leaf / wall (x)
3-way adjustable hinge, pivot point 20 mm	RAM - 180	RAM - 230	Division dimension - 126	56
3-way adjustable hinge, pivot point 36 mm	RAM - 196	RAM - 262	Division dimension - 142	72
Guide roller, pivot point 12 mm	RAM - 179	RAM - 227	Division dimension - 125	54
Concealed hinge, pivot point 9.5 mm	RAM - 140	RAM - 150	Division dimension - 85	15

N-Line

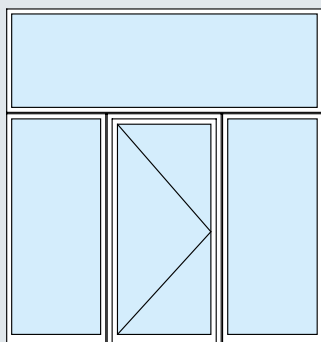
Hinge system	Single-leaf door	Double-leaf door, overall	Double-leaf door, traffic leaf	Distance leaf / wall (x)
3-way adjustable hinge, pivot point 20 mm	RAM - 218	RAM - 268	Division dimension - 145	75
3-way adjustable hinge, pivot point 36 mm	RAM - 234	RAM - 300	Division dimension - 161	91
Guide roller, pivot point 12 mm	RAM - 215	RAM - 262	Division dimension - 142	71
Concealed hinge, pivot point 9.5 mm	RAM - 178	RAM - 188	Division dimension - 104	34

Steel Fixed Glazings

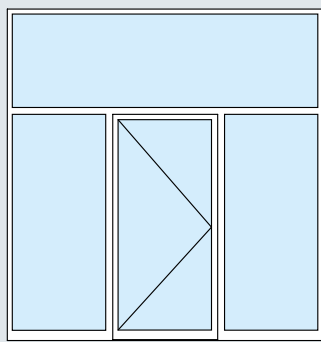
Design variants

Hörmann aluminium fire-rated doors are available either as a coupling construction for simple connection on location, or as complete elements with a vertical/horizontal profile construction. Thus they can be easily matched to the fitting situation at the construction site.

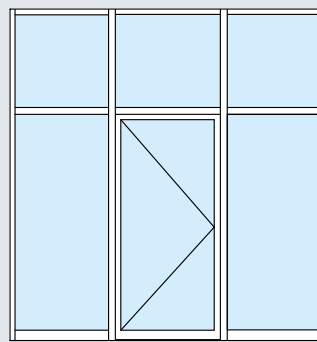
With the Hörmann plug-in system, the slim vertical / horizontal profile construction can also be assembled into walls of any size.



Coupling construction

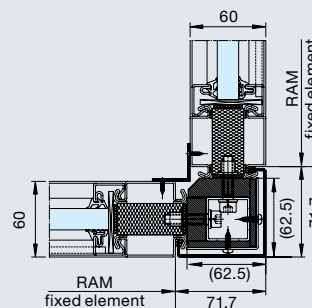
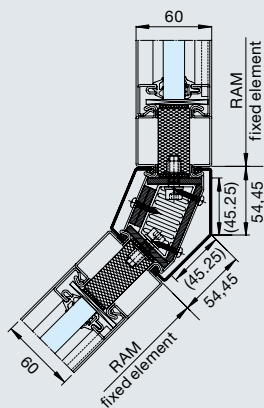
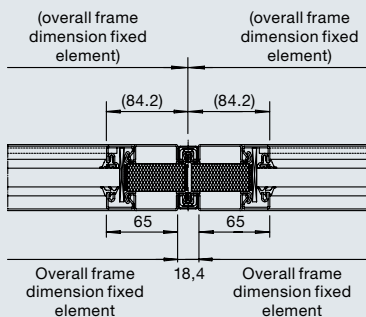


Vertical / horizontal profile construction as a complete element



Vertical / horizontal profile construction as a plug-in system

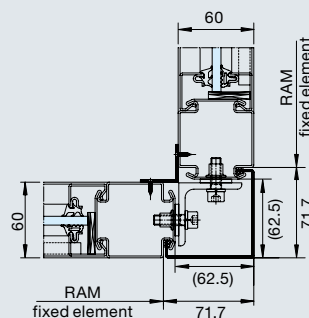
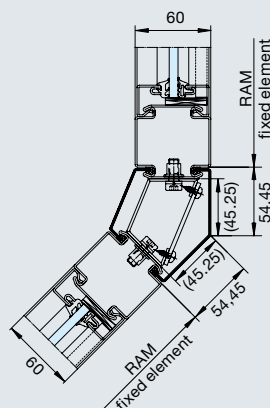
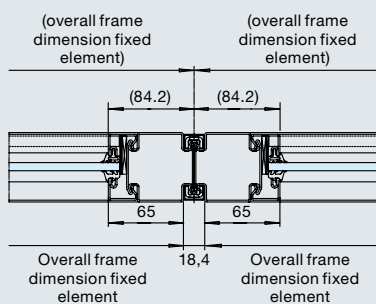
Coupling construction variants



Steel S-Line F30 180° coupling (N-Line)

Steel S-Line F30 135° coupling (N-Line)

Steel S-Line F30 90° coupling (N-Line)



Steel S-Line RS/G30 180° coupling (N-Line)

Steel S-Line RS/G30 135° coupling (N-Line)

Steel S-Line RS/G30 90° coupling (N-Line)

All dimensions in mm

T90 / F90 Steel Fire and Smoke Protection Elements
HL 910 F, HL 920 F, HL 930 F
Single and double-leaf doors, fixed glazing



Main functions

T90

Fire-proof

HL 910 F
HL 920 F

F90

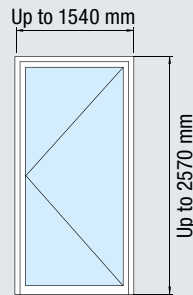
Fire-proof

HL 930 F

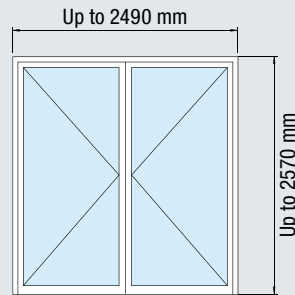
RS

Smoke-tight

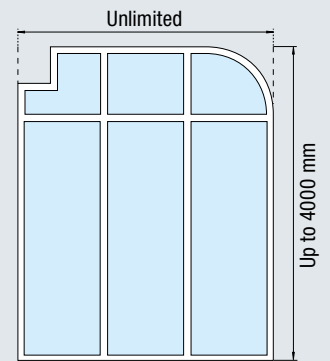
HL 910 F



HL 920 F



HL 930 F



	HL 910 F	HL 920 F	HL 930 F
Version	Single-leaf door	Double-leaf door	Fixed glazing
Profile system	Steel	Steel	Steel
Viewed frame width	70	70	70
Depth	70	70	70
Bottom section height	90	90	90

Fitting in

Brickwork	≥ 175	≥ 175	≥ 175*
Concrete	≥ 140	≥ 140	≥ 140
Gas concrete	≥ 240	≥ 240	≥ 240
Partition wall	≥ 100	≥ 100	≥ 100

Wall requirements based on size can be found in the fitting instructions at www.hoermann.com

* Overall frame dimension height > 2600 mm: minimum wall thickness ≥ 240 mm

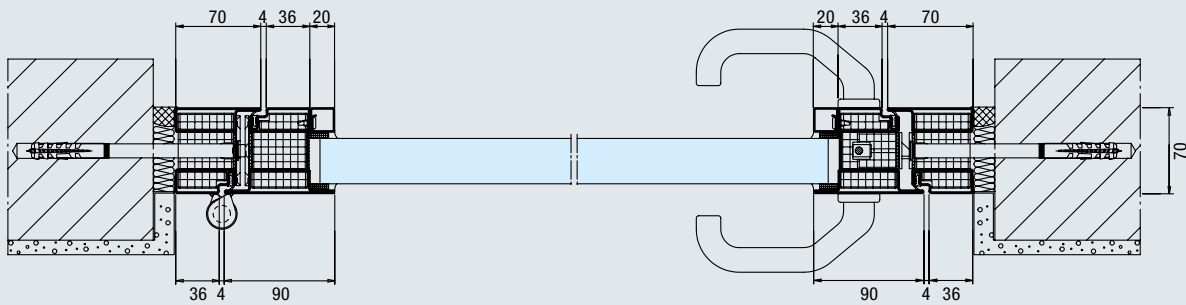
Size range	HL 910 F		HL 920 F	
	Width	Height	Width	Height
With fascia frame				
Overall frame dimension (ordering size)	700 – 1540	1725 – 2570	1400 – 2490	1725 – 2570
Clear passage	560 – 1400	1655 – 2500	1260 – 2350	1655 – 2500

Size range	HL 930 F	
	Width	Height
Overall frame dimension (ordering size)	Unlimited	4000**
Maximum door height**		2570

T90 / F90 Steel Fire and Smoke Protection Elements

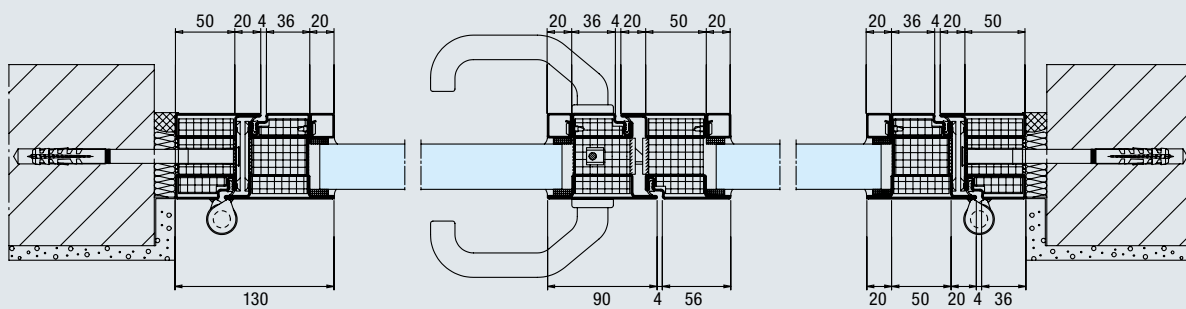
System overview

Single-leaf door with fascia frame



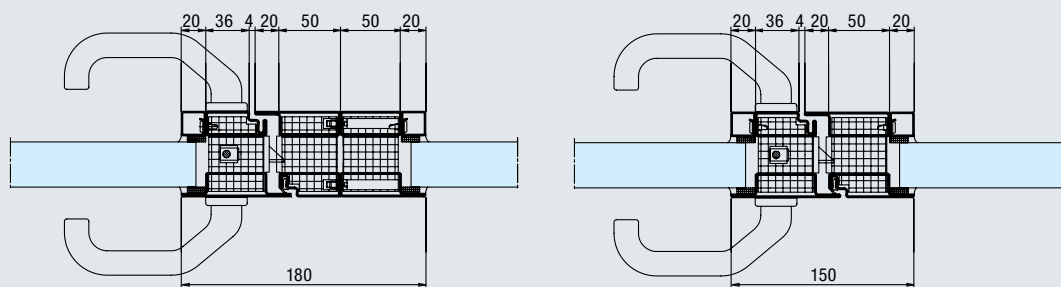
View of T90 steel

Double-leaf door with fascia frame



View of T90 steel

Fixed glazing



Door / fixed element coupled

Door / fixed element vertical profile construction

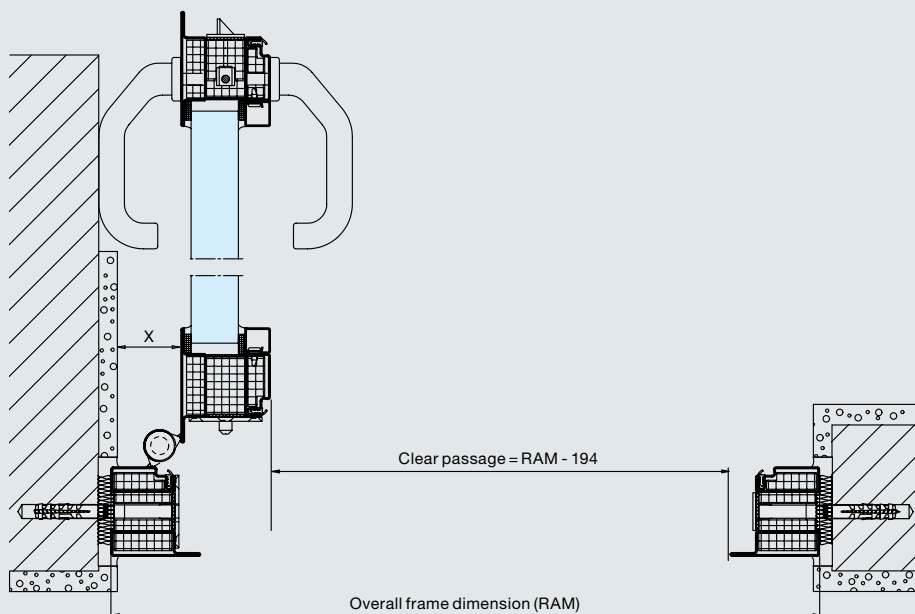
View of T90 steel

Clear Passage for Steel Doors

With door leaf open 90° and without fittings

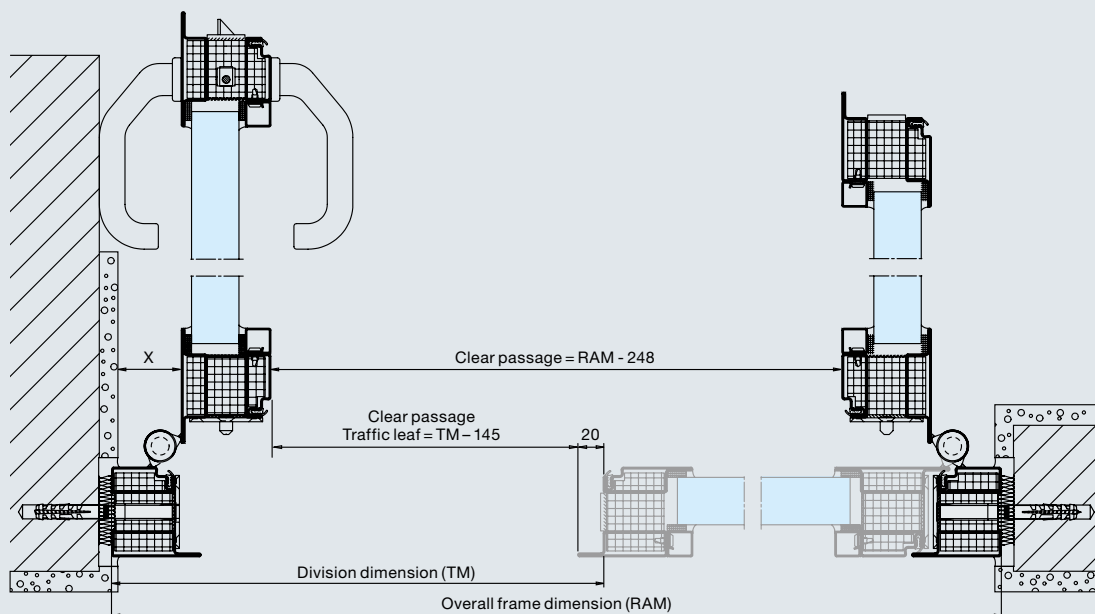
Single-leaf door

View of T90 steel fire-rated and smoke-tight door, single-leaf with guide roller, pivot point 17 mm



Double-leaf door

View of T90 steel fire-rated and smoke-tight door, double-leaf with guide roller, pivot point 17 mm



Hinge system	Single-leaf door	Double-leaf door, overall	Double-leaf door, traffic leaf	Distance leaf / wall (x)
3-way adjustable hinge, pivot point 20 mm	RAM - 196	RAM - 252	Division dimension - 146	66
3-way adjustable hinge, pivot point 36 mm	RAM - 212	RAM - 284	Division dimension - 162	82
Guide roller, pivot point 17 mm, fitting by welding	RAM - 194	RAM - 248	Division dimension - 145	65

Door Operator HDO 200 / 300

Perfectly matched system – door and operator from a single source



HDO 200 with Flatscan protection sensor



Hörmann automatic hinged doors with operator HDO 200 are universally applicable. Thanks to their quiet operation, they are particularly suitable for hospitals and offices. In addition, the automatic doors feature convenient opening, allowing for barrier-free passage. Speed control ensures uniform opening and closing speed. An integrated programme switch allows for custom settings. You can conveniently operate the automatic door via a button, radar/movement detector or operating elements with BiSecur radio technology.

Advantages at a glance

- Convenient opening for barrier-free passages
- Quiet operation, therefore suitable for many applications, e.g. in offices or hospitals
- Speed control ensures a uniform opening and closing speed
- Operating modes: “automatic”, “permanently open”, “night”, “closing time”
- Integrated programme switch for “off”, “automatic” and “permanently open”
- Operation via buttons, radar / motion detector, etc.
- Optionally with BiSecur radio technology that can be operated via all Hörmann hand transmitters, radio control elements, radio internal push buttons or the BiSecur app



Door and operator from a single source

The door and operator are supplied as a perfectly matched all-in-one system. We supply the door and operator, including the required fitting material, from a single source. This simplifies and accelerates door fitting and commissioning.

Flatscan protection sensor for automatic hinged doors

The compact sensor elegantly secures the main and secondary closing edges on automatic doors. Laser technology (light travel time measurement) with 170 measuring points safeguards the doors.

T30

Fire-retarding
DIN 4102

EI₂30

T90

Fire-proof
H16 S

RS

Smoke-tight
DIN 18095

S₂₀₀



**Recommended
for barrier-free
construction**

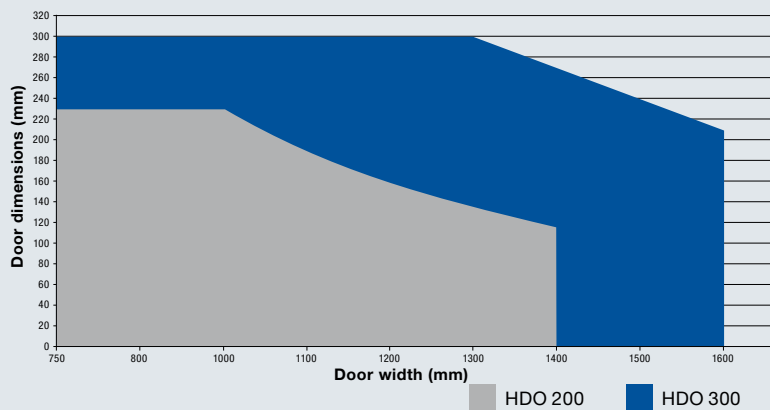


Personal safety



**Certified as an
escape route door**

	HDO 200	HDO 300
Width	650 mm	720 mm
Height	70 mm	70 mm
Depth	121 mm	130 mm
Weight	9 kg	11 kg
Door width	750 – 1400 mm	800 – 1600 mm
Door height	Up to 2500 mm	Up to 2500 mm
Door weight	Up to 200 kg	300 kg for a door width of 1400 mm 210 kg for a door width of 1600 mm



Performance diagram HDO 200 / HDO 300

Locks, Panic Locks, Push Bars

For complete door equipment



Locks

Doors often require special lock functions or anti-panic locks with different functions:

- Change-over function B
- Passage function D
- Anti-panic function E
- Block lock
- Motor lock
- Anti-panic lock, self-locking
- Multiple-point locking, also with panic function



Electrical equipment

In the facility, door systems are often equipped with alarm, escape-route security or access control systems. Various components are available according to your needs:

- Latch contact
- Reed contact
- Electric door strike
- Escape door opener
- Door lock
- Electronic alarm contact elements
- Concealed electro duct



Emergency exit locks Panic door locks

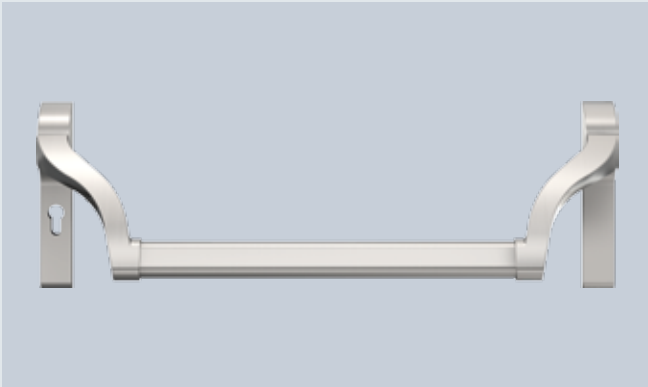
Specific hardware and lock fittings are stipulated for escape doors according to DIN EN 179 and DIN EN 1125. Hörmann offers you a wide range of equipment variants for your respective needs.

Emergency exit locks according to DIN EN 179

- Fittings in the form of anti-panic or lever / knob handle sets with short or rose escutcheon with matching lever handles
- Anti-panic lock DIN EN 179
- Self-locking or motorised anti-panic lock

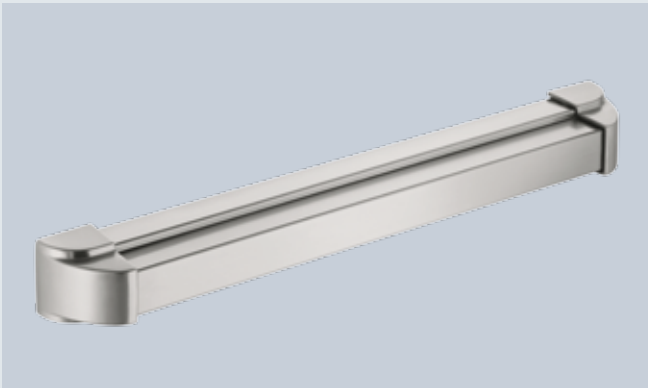
Panic locks according to DIN EN 1125

- Fittings with a push bar or a touch bar combined with a variety of lever handle sets tested acc. to DIN EN 1125
- Anti-panic lock DIN EN 1125 with different functions
- Up to RC 2 (double-leaf) or RC 3 (single-leaf)



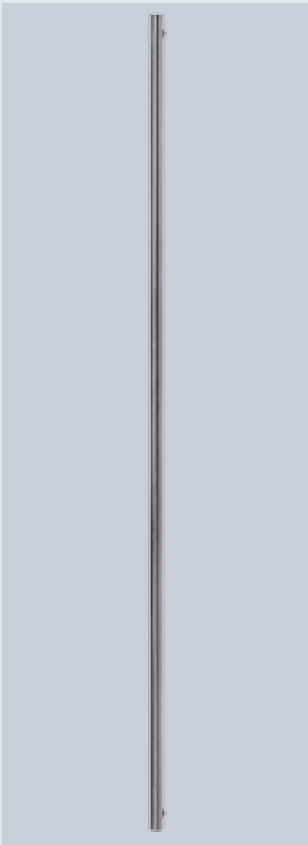
Hörmann push bar

- Largely offset lever arm for use in electronic locking cylinders and for short distances between PC
- Very stable bar handle
- Surface finishes: stainless steel, aluminium F1 coated
- Tested in accordance with EN 1125, EN 1634, EN 1191

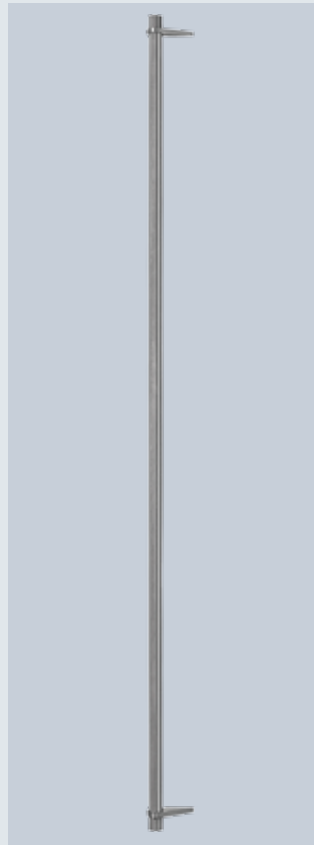


Hörmann touch bar

- Can be used as a locking system acc. to EN 1125
- Surface finishes: stainless steel, aluminium F1, coated
- Tested in accordance with EN 1125, EN 1634



Push bar HOE 810



Push bar HOE 75-2

**Hörmann stainless steel push bar HOE 810,
up to RAM 2600 mm**

With straight support bracket, 33 mm, for vertical fitting

**Hörmann stainless steel push bar HOE 75-2,
up to RAM 3000 mm**

With 2 chamfered support brackets (from 2601 mm height with 3 support brackets), 33 mm, for vertical fitting

Overhead Door Closers

The right solution for any requirement



Overhead door closer TS 5000

Doors with compensator function, smoke sensor control or electromechanical hold-open device – Hörmann offers the right overhead door closer with the corresponding equipment for every door situation. The products convince not only when it comes to quality, but also comfort and design.

HDC 35

Slide rail door closer
(for single-leaf doors up to 1270 mm RAM width)

TS 5000

Slide rail door closer

TS 5000 EC-Line

Slide rail door closer with optimum passage convenience and a high closing force

TS 5000 ISM

Slide rail door closer with integrated door leaf selector for double-leaf doors

TS 5000 E

Slide rail door closer with electromechanical hold-open device

TS 5000 E-FS

Slide rail door closer with compensator function

TS 5000 R

Slide rail door closer with electromagnetic hold-open device and smoke sensor control

TS 5000 R-FS

Slide rail door closer with compensator function and smoke sensor control

TS 5000 E-ISM

Slide rail door closer with electromechanical hold-open device and integrated door leaf selector for double-leaf doors

TS 5000 R-ISM

Slide rail door closer with electromagnetic hold-open device and smoke sensor control and integrated door leaf selector for double-leaf doors



Overhead door closer TS 93 / TS 99

TS 93

Slide rail door closer

TS 93 GSR

Slide rail door closer with door leaf selector and continuous slide rail

TS 93 EMF / EMR

Slide rail door closer with electromagnetic hold-open device and smoke sensor control

TS 93 GSR EMF2

Slide rail door closer with door leaf selector and electromagnetic hold-open device in both leaves

TS 93 GSR EMR2

Slide rail door closer with door leaf selector, electromagnetic hold-open device in both leaves and integrated smoke switch control unit

ITS 96

Integrated slide rail door closer

ITS 96 GSR

Integrated slide rail door closer with door leaf selector

ITS 96 EMF

Integrated slide rail door closer with electromagnetic hold-open device

TS 99 FL

Slide rail door closer with door leaf selector, electromagnetic hold-open device in the fixed leaf and additional compensator function in the traffic leaf

TS 99 FLR

Slide rail door closer with door leaf selector, electromagnetic hold-open device in the fixed leaf and additional compensator function in the traffic leaf and smoke switch control unit



Integrated overhead door closer ITS 96

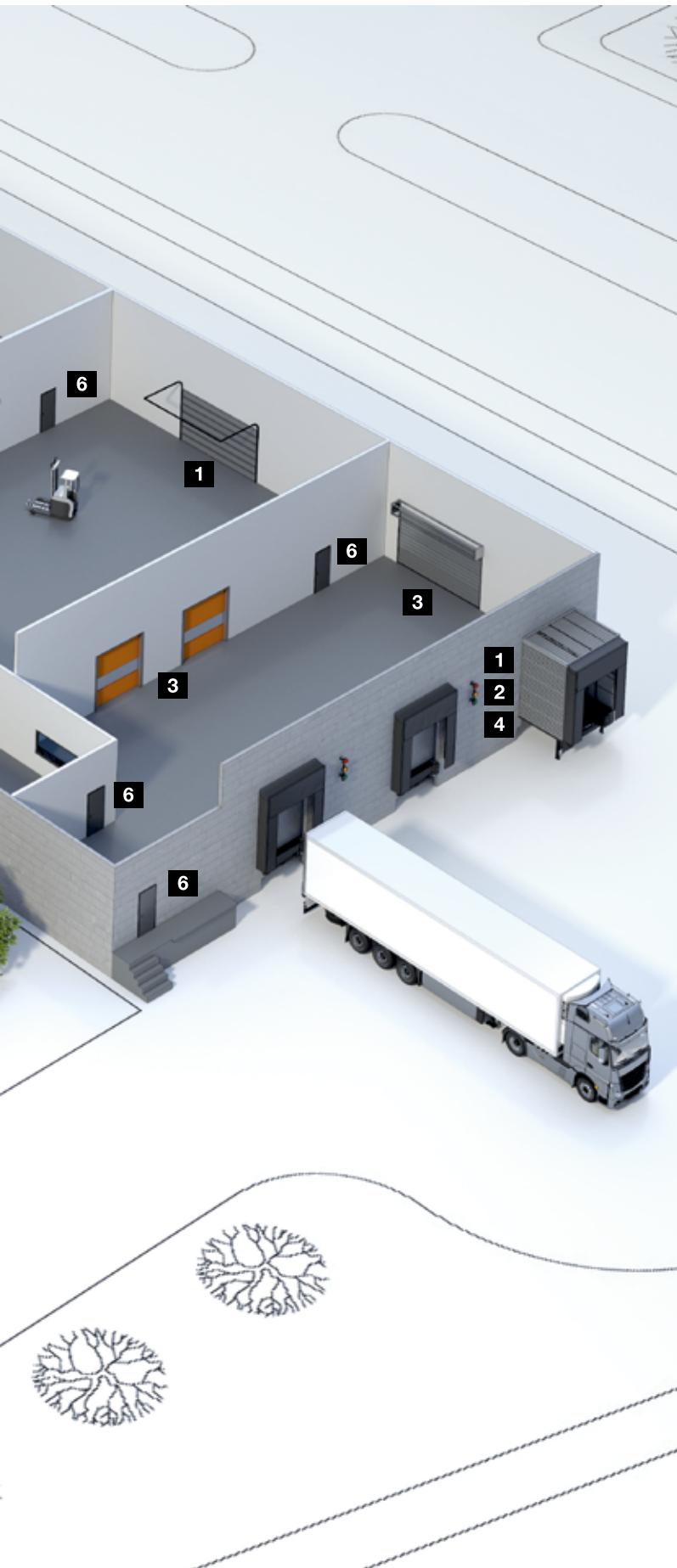
Hörmann Product Range

Everything from a single source for your construction project





Quick service with testing, maintenance and repairs
Our extensive service network means that we are always nearby and at your service around the clock.



Sectional doors



Rolling shutters and rolling grilles



High-speed doors



Loading technology



Steel and stainless steel sliding doors



Steel and aluminium multi-function doors



Steel and stainless steel doors



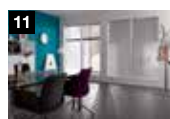
Steel frames with high-quality timber function doors from Schörghuber



Fully glazed tubular frame parts



Automatic sliding doors



Visibility window



Collective garage doors



Perimeter Protection Systems

Hörmann: Quality without Compromise



Hörmann KG Amshausen, Germany



Hörmann KG Antriebstechnik, Germany



Hörmann KG Brandis, Germany



Hörmann KG Brockhagen, Germany



Hörmann KG Dissen, Germany



Hörmann KG Eckelhausen, Germany



Hörmann KG Freisen, Germany



Hörmann KG Ichttershausen, Germany



Hörmann KG Werne, Germany



Hörmann Alkmaar B.V., Netherlands



Hörmann Legnica Sp. z o.o., Poland



Hörmann Beijing, China



Hörmann Tianjin, China



Hörmann LLC, Montgomery IL, USA



Hörmann Flexon LLC, Burgettstown PA, USA



Shakti Hörmann Pvt. Ltd., India

Hörmann is the only manufacturer worldwide that offers you a complete range of all major building products from one source. We manufacture in highly-specialised factories using the latest production technologies. The close-meshed network of sales and service companies throughout Europe, and activities in the USA and Asia, make Hörmann your strong partner for first-class building products, offering “Quality without Compromise”.

GARAGE DOORS
OPERATORS
INDUSTRIAL DOORS
LOADING EQUIPMENT
HINGED DOORS
DOOR FRAMES