



High-Speed Doors [1 / 2]

For optimised material flow and improved efficiency

Spare Parts Overview
Valid from 01.03.2017

HÖRMANN

Hörmann Subsidiaries and Affiliates



**Hörmann KG
Verkaufsgesellschaft**
Upheider Weg 94-98
D-33803 Steinhagen
Telefon +49 5204 915-0
Telefax +49 5204 915-277
Internet www.hoermann.com

Hörmann international sales organizations

International sales partners

Hörmann international sales organizations

Hörmann Austria
A-5310 Mondsee
info@hoermann.at

Hörmann Danmark
DK-8920 Randers
info@hoermann.dk

Hörmann Hrvatska
HR-10000 Zagreb
info@hoermann.hr

Hörmann Malaysia
MAL-40150 Shah Alam,
Selangor
sales@hoermann.com.my

Hörmann Portugal
P-2710-297 Sintra
info@hoermann.pt

Hörmann Türkiye
TR-Istanbul 34788
Tasdelen-Ümraniye
info.ist@hoermann.com.tr

Hörmann Baltic
LT-14247 Vilnius r.
info@hoermann.lt

Hörmann Eesti
EST-76505 Saue
in:info.tll@hoermann.ee

Hörmann Hungária
H-2310 Szigetszentmiklós
info@hoermann.hu

Hörmann Maroc
MA-28810 Mohammedia
info@hoermann.ma

Hörmann Romania
RO-077040, Chiajna,
Județul Ilfov
info@hoermann.ro

Hörmann UK
GB-Leicestershire
LE67 4JW
info@hoermann.co.uk

Hörmann Belarus
BY-220125 Minsk
s.kobrynets.min@hoermann.by

Hörmann España
E-08228 Terrassa
info.cat@hoermann.es

Hörmann India
IND-Andhra Pradesh-500 015
info@shaktihoermann.com

Hörmann Mexico
MEX-66350
Santa Catarina
info@hoermann.com.mx

Hörmann Russia
RUS-196626
Sankt Petersburg
info@hoermann.ru

Hörmann Ukraine
UA-08300 Boryspil,
Kyivska Obl.
info@hoermann.com.ua

Hörmann Belgium
B-3700 Tongeren
info@hoermann.be

Hörmann Finland
FIN-02420 Jorvas
info@mesvac.fi

Hörmann Italia
I-38015 Lavis (Trento)
info@hoermann.it

**Hörmann Middle East
& Africa**
UAE-Dubai
info.dxb@hoermann.com

Hörmann Schweiz
CH-4702 Oensingen
info@hoermann.ch

Hörmann Vietnam
VN-Bac Ninh Province
info.han@hoermann.vn

Hörmann Brasil
BR-05305 002 São Paulo SP
info.sao@hoermann.com.br

Hörmann Flexon
USA-Burgettstown,
PA 15021
info@hoermann-flexon.com

Hörmann Japan
JP-103-0 002 Tokyo
t.takasu.tok@hoermann.jp

Hörmann Nederland
NL-3771 MB Barneveld
info@hoermann.nl

Hörmann Serbia
SRB-11271 Beograd-Surčin
info@hoermann.rs

Hörmann Bulgaria
BG-1532 Sofia
info.sof@hoermann.bg

Hörmann France
F-89107 Sens
info@hoermann.fr

Hörmann Kazakhstan
KZ-050004 Almaty
info@hoermann.kz

Hörmann Norge
N-4640 Søgne
info@hoermann.no

**Hörmann Slovenská
republika**
SK-903 01 Senec
info.bts@hoermann.com

Hörmann Česká republika
CZ-252 68 Středokluky
info@hoermann.cz

Hörmann Hellas
GR-19400 Koropi
info@hoermann.gr

Hörmann Korea
KR-Kyunggi-do 463-400
info@hoermann.co.kr

Hörmann Polska
PL-62-052 Komorniki
info@hoermann.pl

Hörmann Svenska
S-70369 Örebro
info@hoermann.se

Hörmann China
CN-100176 Beijing
info@hoermann.cn

Hörmann Hong Kong
HK-25 Westlands Road,
Quarry Bay
info@hoermann.com.hk

Hörmann LLC
USA-60538 Montgomery,
Illinois
info@hoermann.us

You can find more details on our foreign subsidiaries and respective regional sales offices at www.hoermann.com

International sales partners

Ägypten
Albanien
Algerien
Argentinien
Armenien
Aserbaidschan

Australien
Bangladesch
Bosnien-Herzegowina
Chile
Finnland
Georgien

Indonesien
Irland
Island
Israel
Kolumbien
Kosovo

Luxemburg
Malta
Mazedonien
Moldawien
Mongolei
Montenegro

Neuseeland
Peru
Philippinen
Slowenien
Taiwan
Thailand

Tunesien
Turkmenistan
Uruguay
Usbekistan
Venezuela




Prices in €. Copyright. No part of this price list may be reproduced without our permission. All details subject to change.

■	The Optimum Spare Parts List Order	5
■	Overview of Data Label	6
■	Wearing parts	7
■	1. HS 5015 Acoustic H / Acoustic-rated door with high-lift track application	8
■	2. HSS 6530 / Spiral Door with Thermal Break	10
■	3. HSS 6530 L / Spiral Door with Thermal Break Low Headroom Track Application	12
■	4. V 2715 SER / Tubular Drive	14
■	5. V 2715 SEL R / Tubular Drive	16
■	6. V 4015 SEL R / Tubular Drive with Emergency Opening	18
■	7. V 5015 SE / with SoftEdge and Anti-Crash	20
■	8. V 5030 SE / with SoftEdge and Anti-Crash	22
■	9. V 6030 SE / with SoftEdge and Crash-Protection	24
■	10. V 6020 TR / Fully Transparent	26
■	11. V 9012 L Stacking / with folding curtain for large openings	28
■	12. V 10008 / Large Door	30
■	13. V 5030 MSL / Personal and Machine Safety	32
■	14. V 4014 SEL RW / Internal door for rescue routes, approval required in individual cases	34
■	15. V 3015 RW / Rescue Routes	36
■	16. Iso Speed Cold H / Refrigeration Logistics with High-Lift Track Application	38
■	17. Iso Speed Cold V / Refrigeration Logistics with Vertical Track Application	40
■	18. V 3515 Iso / 30 mm Curtain	42
■	19. V 2012 / Supermarkets	44
■	20. V 3015 Clean / Clean Rooms	46
■	21. V 3009 / Conveyor Technology	48


Contents

■ 22. V 1401 Atex / Explosion-Proof	50
■ 23. H 3530 / Horizontal Door	52
■ Spare Parts Order Form	54
■ General Terms and Conditions of Sale and Delivery (Issue 01.03.2016)	55

Symbols used

Symbol	Description
	Price on request
	Please note the extended delivery times.
•	Prices marked with a dot indicate articles that are available from stock and available immediately ex works.
	Article has been replaced.

The Optimum Spare Parts List Order

Item	Description	Art. no.	Quantity	€
1	Right side element ¹⁾	12345		84.00 /m 341.00 /each
2	Left side element ¹⁾	12345		84.00 /m 341.00 /each
3	Complete operator support bracket	12345		210.00 /each
4a	Right cover LDH ≤ 3250 ¹⁾			/each
4b	Right top cover LDH > 3250 ¹⁾	12345		384.00 /St.
4c	Right bottom cover LDH > 3250 ¹⁾	12345	1	81.00 /m ²
5a	Left cover LDH ≤ 3250 ¹⁾	12345		70.00 /m 452.00 /each
5b	Left top cover LDH > 3250 ¹⁾	12345		49.00 /m
5c	Left bottom cover LDH > 3250 ¹⁾	12345		71.00 /each
9	Complete left spring assembly ¹⁾	12345	1	71.00 /each
10	Chain sprocket	12345		20.00 /m
11	Complete right chain tensioner wheel	12345		45.00 /each
12	Complete left chain tensioner wheel	12345		269.00 /each
13	Belt 25 mm	12345		5.00 /each
14	Roller chain reinforced	12345		74.00 /m
15	Grooved ball-bearing ASPFL 208		1	48.00 /each
16	Button with wiring right	12345		1.70 /each
17	Button with wiring left	12345		201.00 /each

ORDER	Order no.: 12345	Please take information from the data label!	
	Customer name: John Public, Munich	Factory order no.:	Door item no.:
	Shipping address: See customer no.	Customer no.:	
	Or specified deviation	Price agreements: x% discount	
	Place/date: XXXXXX	Stamp and signature	

Overview of Data Label

<p>DEUTSCH</p>	<p>Bei Ersatzbestellung:</p> <p>Vom Typenschild, Tor Typ: ①, Seriennummer.: ②, Erklärung: 0410 - 00900320010101 = feststehende Werknummer 0410 - 00900320010101 = Werksauftragsnummer 0410 - 00900320010101 = Tor-Positionsnummer 0410 - 00900320010101 = Tor 1 von aus der Tor-Positionsnummer Baujahr: ③ Größe: ④, zusammen mit der Artikelnummer des Ersatzteiles angeben.</p>	<table border="1"> <tr> <td>Hersteller Manufacturer Fabricant</td> <td>Hörmann VKG D-33803 Steinhagen Upheider Weg 94-98 Made in Germany</td> </tr> <tr> <td>Tor Typ Door type Type de port</td> <td>V5030SEL ①</td> </tr> <tr> <td>Seriennummer Serial No N° de Série</td> <td>0410-00900320010101 ②</td> </tr> <tr> <td>Baujahr Year of product Année de fabrication</td> <td>2015 ③</td> </tr> <tr> <td>Größe Size Dimensions</td> <td>3750 x 3500 ④</td> </tr> </table>	Hersteller Manufacturer Fabricant	Hörmann VKG D-33803 Steinhagen Upheider Weg 94-98 Made in Germany	Tor Typ Door type Type de port	V5030SEL ①	Seriennummer Serial No N° de Série	0410-00900320010101 ②	Baujahr Year of product Année de fabrication	2015 ③	Größe Size Dimensions	3750 x 3500 ④		
Hersteller Manufacturer Fabricant	Hörmann VKG D-33803 Steinhagen Upheider Weg 94-98 Made in Germany													
Tor Typ Door type Type de port	V5030SEL ①													
Seriennummer Serial No N° de Série	0410-00900320010101 ②													
Baujahr Year of product Année de fabrication	2015 ③													
Größe Size Dimensions	3750 x 3500 ④													
<p>ENGLISH</p>	<p>For spare part order:</p> <p>From data label, door type: ①, serial number: ②, Explanation: 0410 - 00900320010101 = permanent factory number 0410 - 00900320010101 = factory order number 0410 - 00900320010101 = door item number 0410 - 00900320010101 = door 1 from the door item number Year of manufacture: ③ size: ④, indicate along with the article number of the spare part.</p>	<table border="1"> <tr> <td>Wasserdichtheit Water tightness Étanchéité à l'eau</td> <td>Klasse Class Classe</td> <td>NPD</td> </tr> <tr> <td>Widerstand geg. Windlast Resistance to wind load Résistance à la charge du vent</td> <td>Klasse Class Classe</td> <td>NPD</td> </tr> <tr> <td>Wärmewiderstand Thermal resistance Résistance thermique</td> <td>W/m²K</td> <td>NPD</td> </tr> <tr> <td>Luftdurchlässigkeit Air permeability Perméabilité à l'air</td> <td>Klasse Class Classe</td> <td>NPD</td> </tr> </table>	Wasserdichtheit Water tightness Étanchéité à l'eau	Klasse Class Classe	NPD	Widerstand geg. Windlast Resistance to wind load Résistance à la charge du vent	Klasse Class Classe	NPD	Wärmewiderstand Thermal resistance Résistance thermique	W/m²K	NPD	Luftdurchlässigkeit Air permeability Perméabilité à l'air	Klasse Class Classe	NPD
Wasserdichtheit Water tightness Étanchéité à l'eau	Klasse Class Classe	NPD												
Widerstand geg. Windlast Resistance to wind load Résistance à la charge du vent	Klasse Class Classe	NPD												
Wärmewiderstand Thermal resistance Résistance thermique	W/m²K	NPD												
Luftdurchlässigkeit Air permeability Perméabilité à l'air	Klasse Class Classe	NPD												
<p>FRANÇAIS</p>	<p>Lors de la commande de pièces détachées :</p> <p>A partir de la plaque d'identification, indiquez le type de porte : ①, le numéro de série : ②, explication : 0410 - 00900320010101 = numéro de fabrication fixe 0410 - 00900320010101 = numéro de commande usine 0410 - 00900320010101 = numéro de poste de la porte 0410 - 00900320010101 = porte 1 sur nombre total de postes de porte l'année de construction : ③ et les dimensions : ④, ainsi que le numéro d'article de la pièce détachée.</p>	<table border="1"> <tr> <td>CE</td> <td>EN 13241-1 CPR 305/2011 EU</td> <td></td> </tr> </table> <p>Diese Anlage wurde gemäß der technischen Regel für Arbeitsstätten ASR A 1.7 sachkundig geprüft. Die Durchführung und das Ergebnis der Prüfung ist dem Prüfprotokoll zu entnehmen.</p> <p> Nächster Prüftermin </p>	CE	EN 13241-1 CPR 305/2011 EU										
CE	EN 13241-1 CPR 305/2011 EU													
<p>ESPAÑOL</p>	<p>Para pedidos de recambios:</p> <p>De la placa de características, tipo de puerta: ①, n.º de serie: ②, explicación: 0410 - 00900320010101 = número fijo de fábrica 0410 - 00900320010101 = número de orden de fábrica 0410 - 00900320010101 = número de posición de la puerta 0410 - 00900320010101 = puerta 1 del número de posición de la puerta Indicar año de construcción: ③ y tamaño: ④, junto con el número de artículo del recambio.</p>	<p>Diese Anlage wurde gemäß der technischen Regel für Arbeitsstätten ASR A 1.7 sachkundig geprüft. Die Durchführung und das Ergebnis der Prüfung ist dem Prüfprotokoll zu entnehmen.</p> <p> Nächster Prüftermin </p>												
<p>РУССКИЙ</p>	<p>При заказе запасных частей:</p> <p>На заводской табличке, тип ворот: ①, серийный номер: ②, Пояснение: 0410 - 00900320010101 = постоянный номер завода 0410 - 00900320010101 = номер заказа с завода 0410 - 00900320010101 = номер позиции ворот 0410 - 00900320010101 = ворота 1 из номера позиции ворот Год изготовления: ③ размер: ④, указать вместе с номером артикула запасной части.</p>	<p>Diese Anlage wurde gemäß der technischen Regel für Arbeitsstätten ASR A 1.7 sachkundig geprüft. Die Durchführung und das Ergebnis der Prüfung ist dem Prüfprotokoll zu entnehmen.</p> <p> Nächster Prüftermin </p>												

Wearing parts

Verschleißteile	Zyklen	Zeitraum
Antrieb (60 % ED)	500 000	2 Jahre
bis 30.04.2017		
Antrieb (Rohrmotor; 60 % ED)	350 000	2 Jahre
ab 01.05.2017 / V 4015 SEL Alu-R		
Antrieb (Rohrmotor; 60 % ED)	700 000	2 Jahre
Bremse	250 000	2 Jahre
FunkCrash-Schalter Batterie	-/-	2 Jahre
Lichtgitter	-/-	2 Jahre
Energiekette mit Kabel	250 000	2 Jahre
Federn	100 000	2 Jahre
Gewebegurte	100 000	2 Jahre
Flachriemen (Gegengewicht, Lamellen)	500 000	2 Jahre
Laufrollen	100 000	2 Jahre
USV-Batterie	-/-	1,5 Jahre
USV-Batterie (RW-Tore)	-/-	1 Jahre
Scharniere	100 000	2 Jahre
Dichtungen / Dichtleisten	150 000	2 Jahre
Behang (V 3515 Iso + V 4015 Iso L)	150 000	2 Jahre

Wearing parts	Cycles	Period
Operator (60 % ON time)	500 000	2 years
Until 30.04.2017		
Operator (tubular drive; 60 % ON time)	350 000	2 years
From 01.05.2017 / V 4015 SEL Alu-R		
Operator (tubular drive; 60 % ON time)	700 000	2 years
Brake	250 000	2 years
Radio crash switch battery	-/-	2 years
Energy chain with cable	250 000	2 years
Springs	100 000	2 years
Fabric belts	100 000	2 years
Flat belts (counter weight, sections)	500 000	2 years
Rollers	100 000	2 years
UPS battery	-/-	1.5 years
UPS battery (RW doors)	-/-	1 years
Hinges	100 000	2 years
Seals / sealing strip	150 000	2 years
Curtain (insulated)	150 000	2 years
Light grille	-/-	2 years

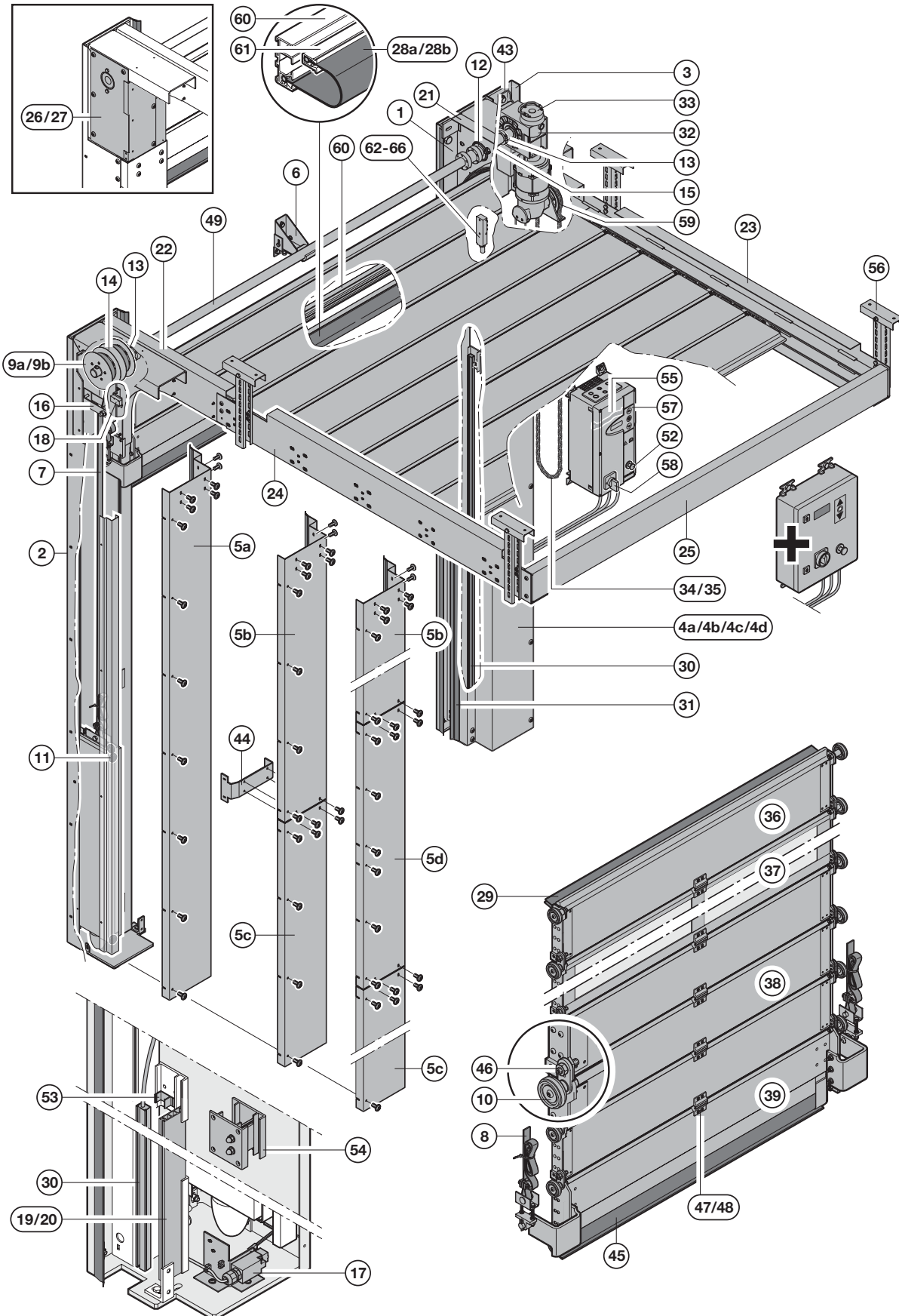
Pièces d'usure	Cycles	Intervalle
Motorisation (indice de charge 60 %)	500 000	2 ans
Jusqu'au 30.04.2017		
Motorisation (moteur tubulaire, indice de charge 60 %)	350 000	2 ans
A partir du		
01.05.2017 / V 4015 SEL Alu-R		
Motorisation (moteur tubulaire, indice de charge 60 %)	700 000	2 ans
Frein	250 000	2 ans
Batterie interrupteur anti-crash radio	-/-	2 ans
Chaîne de puissance avec câble	250 000	2 ans
Ressorts	100 000	2 ans
Bandes en tissu	100 000	2 ans
Courroie plate (contrepoids, panneaux)	500 000	2 ans
Roulettes de guidage	100 000	2 ans
Batterie UPS	-/-	1,5 ans
Batterie UPS (portes RW)	-/-	1 an



Pièces d'usure	Cycles	Intervalle
Charnières	100 000	2 ans
Joints / Listels d'étanchéité	150 000	2 ans
Tablier (V 3515 Iso + V 4015 Iso L)	150 000	2 ans
Barrière photoélectrique	-/-	2 ans

Piezas de desgaste	Ciclos	Intervalo de tiempo
Automatismo (60 % ED)	500 000	2 años
hasta el 30.04.2017		
Automatismo (motor tubular; 60 % ED)	350 000	2 años
a partir del		
01.05.2017 / V 4015 SEL Alu-R		
Automatismo (motor tubular; 60 % ED)	700 000	2 años
Frenos	250 000	2 años
Pila del interruptor FunkCrash	-/-	2 años
Cadena energética con cable	250 000	2 años
Muelles	100 000	2 años
Correas de tejido	100 000	2 años
Cadena plana (contrapeso, paneles)	500 000	2 años
Ruedas-guía	100 000	2 años
Batería USV	-/-	1,5 años
Batería USV (puertas RW para vías de emergencia)	-/-	1 años
Bisagras	100 000	2 años
Juntas / perfiles de sellado	150 000	2 años
Persiana (aislada)	150 000	2 años
Rejilla fotoeléctrica	-/-	2 años

Быстроизнашивающиеся детали	Циклы	Период времени
Привод (продолжительность включения 60 %)	500 000	2 года
до 30.04.2017		
Привод (внутривальный привод; продолжительность включения 60 %)	350 000	2 года
с 01.05.2017 / V 4015 SEL Alu-R		
Привод (внутривальный привод; продолжительность включения 60 %)	700 000	2 года
Тормоз	250 000	2 года
Батарея выключателя FunkCrash	-/-	2 года
Кабеленесущая цепь с кабелем	250 000	2 года
Пружины	100 000	2 года
Тканевые ремни	100 000	2 года
Плоский ремень (противовес, секции)	500 000	2 года
Ходовые ролики	100 000	2 года
Аккумулятор ИБП (USV)	-/-	1,5 года
Аккумулятор ИБП (ворота RW)	-/-	1 год
Шарниры	100 000	2 года
Уплотнения / уплотняющие планки	150 000	2 года
Завеса (с изоляцией)	150 000	2 года
Световая решетка (V 3515 Iso + V 4015 Iso L)	-/-	2 года

1. HS 5015 Acoustic H / Acoustic-rated door with high-lift track application



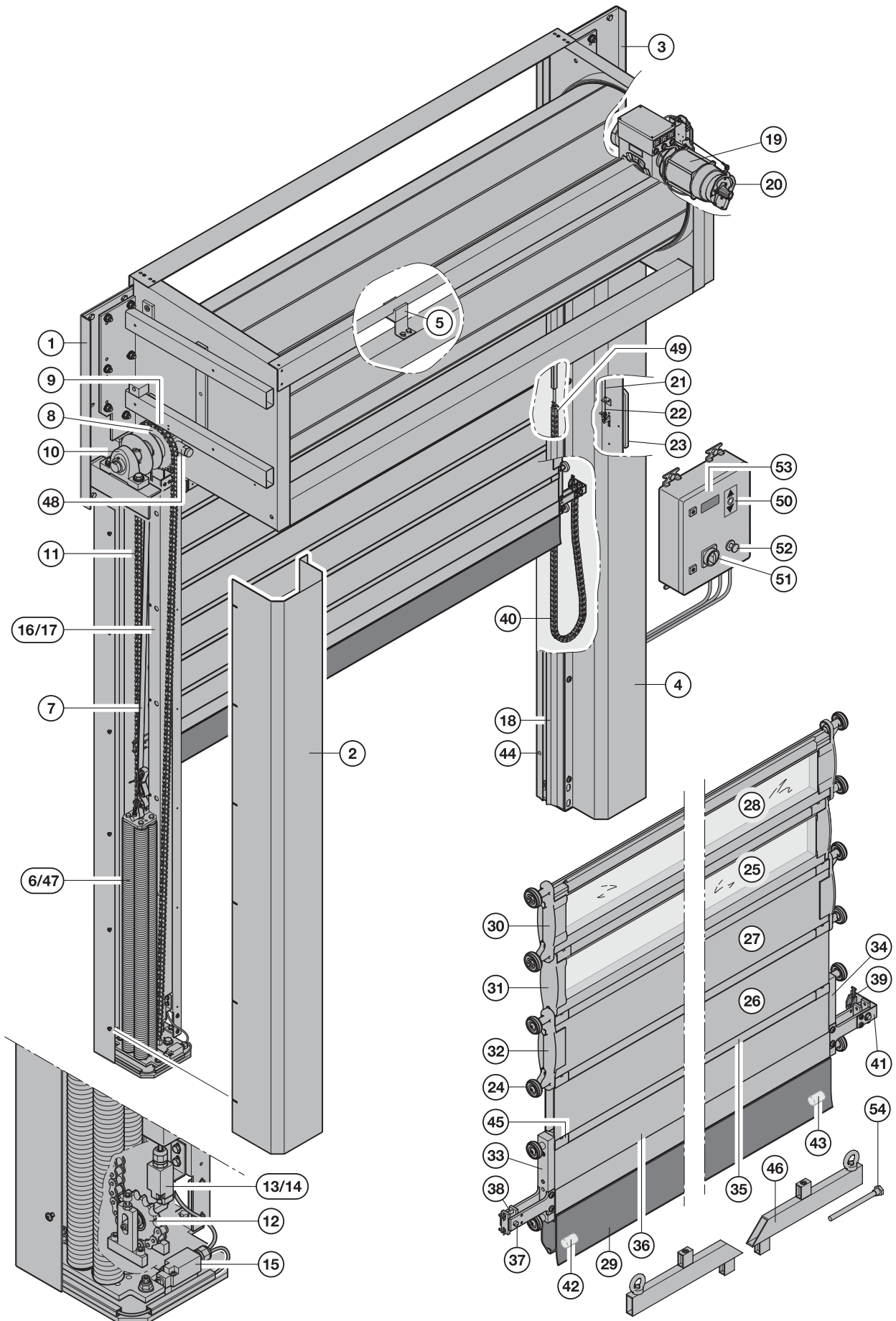
Item	Description	Art. no.	Quantity	€
1	Right side element ¹⁾	4991852 		
2	Left side element ¹⁾	4991853 		
3	Complete operator support bracket	4990800		/each
4a	Right cover DH ≤ 4000 ¹⁾	4991439		/m /each
4b	Right top cover DH > 4000 ¹⁾	4991440		/m /each
4c	Right bottom cover DH > 4000 ¹⁾	4991441		/m /each
4D	Right centre cover DH > 6500 ¹⁾	4991442		/m /each
5a	Left cover DH ≤ 4000 ¹⁾	4991443		/m /each
5b	Left top cover DH > 4000 ¹⁾	4991444		/m /each
5c	Left bottom cover DH > 4000 ¹⁾	4991445		/m /each
5d	Left centre cover DH > 6500 ¹⁾	4991436		/m /each
6	Shaft support	4990807		/each
7	Flat belt 25 mm	4991431		/m
8	Flat belt 30 mm	4991432		/m
9a	Belt pulley Ø 145	4991433		/each
9b	Belt pulley Ø 70	4991632		/each
10	Roller with band	4990818		/each
11	Roller with band	159413		/each
12	Grooved ball-bearing ASPFL 208	159403		/each
13	Adjusting ring	159163		/each
14	Distance sleeve L 27 mm	4991434		/each
15	Distance sleeve L 14 mm	4991438		/each
16	Complete return pulley	4991214		/each
17	Weight monitoring limit switch	159860		/each
18	Light switch for belt monitoring	4991409		/each
19	Complete right aluminium profile guide ¹⁾	4991860		/m /each
20	Complete left aluminium profile guide ¹⁾	4991861		/m /each
21	Complete right support curve	4991173		/each
22	Complete left support curve	4991174		/each
23	Complete right horizontal guide ¹⁾	4991858		/m
24	Complete left horizontal guide ¹⁾	4991859		/m
25	Transverse cross strut ¹⁾	4991477		/m /each
26	Complete left cladding bearing side	4991188		/each
27	Complete right cladding bearing side	4991189		/each
28a	Curtain loop 80 complete ¹⁾	4991415		/m
28b	Curtain loop 100, complete for Thermoframe ¹⁾	4991342		/m






Item	Description	Art. no.	Quantity	€
29	Panel lintel seal	4991790		/m
30	Light grille ¹⁾			/each
31	Seal for guide per side assembly ¹⁾	4991369		/each
32	Operator	4990750		/each
33	Brake 11 Nm 103 V	157686		/each
34	Hand chain link	306407		/each
35	Hand chain	157779		/m
36	Top aluminium profile complete ¹⁾	4991857		/m /each
38	Aluminium profile window 225 mm high, complete ¹⁾	4991856		/m /each
39	Complete bottom part 225 mm high ¹⁾	4991855		/m /each
43	Spacer	4990829		/each
44	Cover bar	4991437		/each
45	EPDM rubber profile	306843		/m
46	Complete hinge connector	4990837		/each
47	Centre hinge black RAL 7021 complete (for curtain painting)	4990838		/each
48	Centre hinge grey RAL 9006 complete (standard)	4990797		/each
49	Operator shaft ¹⁾	4991592		/m /each
52	Rotary release emergency-off button	157299		/each
53	Holder for light grille	4990887		/each
54	Fixing clip (to hold the curtain in place when exchanging panels)	4990854		/each
55	Keypad extension	157097		/each
56	Track suspension	4991282		/each
57	Keypad (only AK 500 FUE-1)	306421		/each
58	Lockable main switch (only AK 500 FUE-1)	159611		/each
59	Emergency hand chain gearbox	158171		/each
60	Sealing frame channel ¹⁾	4991426		/m
61	Sealing frame clips ¹⁾	4991427		/m
62	Distributor 10 x M8 snap (only FUE-1) ¹⁾			/each
63	Snap cable, white, light grille (only FUE-1) ¹⁾			/each
64	Snap cable, blue, spring (only FUE-1) ¹⁾			/each
65	Snap cable, yellow, door leaf belt monitoring (only FUE-1) ¹⁾			/each
66	Bridge plug (only FUE-1)	4980188		/each


1) State pur. order no.

ORDER	Order no.:	Please take information from the data label!
	Customer name:	Factory order no.: _____ Door item no.: _____
	Shipping address:	Customer no.: _____
	Place/date:	Price agreements: _____
		Stamp and signature

2. HSS 6530 / Spiral Door with Thermal Break



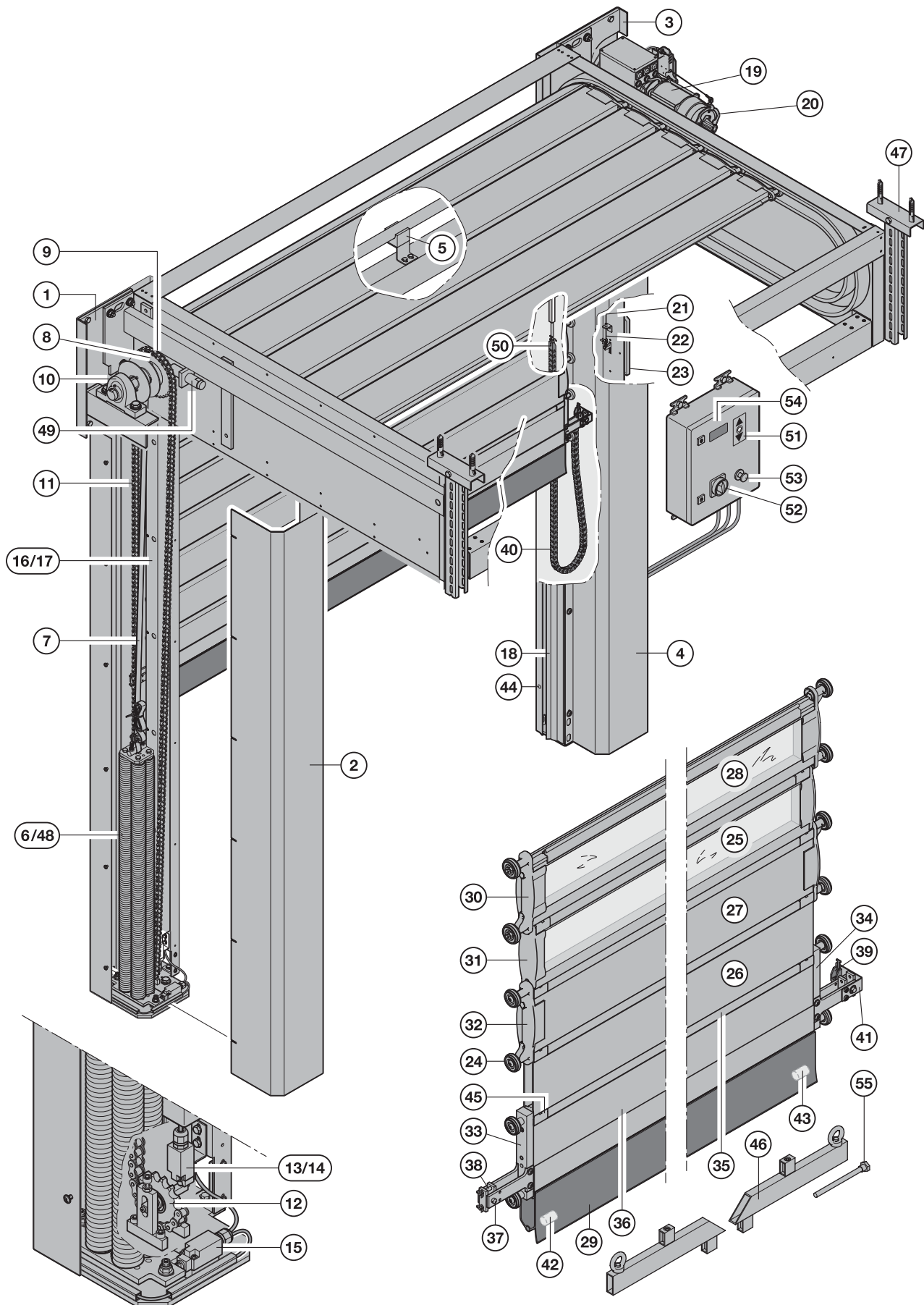
Item	Description	Art. no.	Quantity	€
1	Side assembly bearing side ¹⁾	159397		/m /each
2	Left cover ¹⁾	159399		/m
3	Side assembly operator side ¹⁾	159396		/m /each
4	Right cover ¹⁾	159398		/m
5	Shaft support	159400		/each
6	Spring ¹⁾			
7	Belt 35 mm	159199		/m
8	Chain sprocket	159402		/each
9	Grooved ball-bearing ASPFL 208	159403		/each
10	Pedestal bearing UCP 208	158535		/each
11	Chain ¹⁾			
12	Chain tensioner wheel	159404		/each
13	Right chain monitoring button	159405		/each
14	Left chain monitoring button	159406		/each
15	Limit switch form C	159409		/each
16	Guide left ¹⁾	159411		/m /each
17	Guide right ¹⁾	159410		/m /each
18	Seal for guide per side assembly ¹⁾			/each
19	Operator ¹⁾			
20	Brake ¹⁾			
21	Bowden cable	157317		/m
22	Cable D 1.5	306019		/m
23	Hand lever	159412		/each
24	Roller with band	159413		/each
25	Aluminium profile window profile 2 complete ¹⁾	159414		/m
26	Aluminium profile thermal ¹⁾	159415		/m
27	Thermal profile complete ¹⁾	159495		/m
28	Aluminium profile window profile 1 complete ¹⁾	159494		/m
29	Rubber profile	157055		/m
30	End piece window profile complete	159443		/each
31	End piece window profile 2	159417		/each
32	End piece aluminium profile complete	159444		/each
33	End piece left bottom part	159419		/each
34	End piece right bottom part	159449		/each
35	Connection profile ¹⁾			
36	Complete bottom part ¹⁾	159422		/m /each
37	Bolt connection to chain link 1.7264	159423		/each
38	Bolt chain 1.7264	159424		/each
39	Energy chain 16.5 with connection element L 120	159102		/each
40	Energy chain 16.5 L1000	159849		/m

Item	Description	Art. no.	Quantity	€
41	Energy chain connection	159425		/each
42	Opto transmitter wireless impulse transmission bearing side	159378		/each
43	Opto receiver wireless impulse transmission bearing side	159379		/each
44	Photocell one-way with cable S15/E5	159097		/each
45	Profile support	159426		/each
46	Curtain suspension	306747		/each
47	Complete spring assembly ¹⁾	306427 		
48	Shock absorber	159586		/each
49	Energy chain connection element with hole	159084		/each
50	Keypad	159137		/each
51	Main switch	4991866		/each
52	Rotary release emergency-off button	4980303		/each
53	Keypad extension	157097		/each
54	Locking bolt	159825		/each

1) State pur. order no.

ORDER	Order no.:	Please take information from the data label!	
	Customer name:	Factory order no.:	Door item no.:
	Shipping address:	Customer no.:	
	Place/date:	Price agreements:	
		Stamp and signature	

3. HSS 6530 L / Spiral Door with Thermal Break Low Headroom Track Application



Item	Description	Art. no.	Quantity	€
1	Side assembly bearing side ¹⁾	4990547		/m /each
2	Left cover ¹⁾	4990548		/m
3	Side assembly operator side ¹⁾	4990552		/m /each
4	Right cover ¹⁾	4990549		/m
5	Shaft support	159400		/each
6	Spring ¹⁾		⌚	
7	Belt 35 mm	159199		/m
8	Chain sprocket	159402		/each
9	Grooved ball-bearing ASPFL 208	159403		/each
10	Pedestal bearing UCP 208	158535		/each
11	Chain ¹⁾		⌚	
12	Chain tensioner wheel	159404		/each
13	Right chain monitoring button	159405		/each
14	Left chain monitoring button	159406		/each
15	Limit switch form C	159409		/each
16	Guide left ¹⁾	4990550		/m /each
17	Guide right ¹⁾	4990551		/m /each
18	Seal for guide per side assembly ¹⁾			/each
19	Operator ¹⁾		⌚	
20	Brake ¹⁾		⌚	
21	Bowden cable	157317		/m
22	Cable D 1.5	306019		/m
23	Hand lever	159412		/each
24	Roller with band	159413		/each
25	Aluminium profile window profile 2 complete ¹⁾	159414		/m
26	Aluminium profile thermal ¹⁾	159415		/m
27	Thermal profile complete ¹⁾	159495		/m
28	Aluminium profile window profile 1 complete ¹⁾	159494		/m
29	Rubber profile	157055		/m
30	End piece window profile complete	159443		/each
31	End piece window profile 2	159417		/each
32	End piece aluminium profile complete	159444		/each
33	End piece left bottom part	159419		/each
34	End piece right bottom part	159449		/each
35	Connection profile ¹⁾		⌚	
36	Complete bottom part ¹⁾	4991489		/m /each
37	Bolt connection to chain link 1.7264	159423		/each
38	Bolt chain 1.7264	159424		/each
39	Energy chain 16.5 with connection element L 120	159102		/each
40	Energy chain 16.5 L1000	159849		/m

Item	Description	Art. no.	Quantity	€
41	Energy chain connection	159425		/each
42	Opto transmitter wireless impulse transmission bearing side	159378		/each
43	Opto receiver wireless impulse transmission operator side	159379		/each
44	Photocell one-way with cable S15/E5	159097		/each
45	Profile support	159426		/each
46	Curtain suspension	306747		/each
47	Track suspension	4991282		/each
48	Complete spring assembly ¹⁾	306427	⌚	
49	Shock absorber	159586		/each
50	Energy chain connection element with hole	159084		/each
51	Keypad	159137		/each
52	Main switch	4991866		/each
53	Rotary release emergency-off button	4980303		/each
54	Keypad extension	157097		/each
55	Locking bolt	159825		/each

1) State pur. order no.

ORDER	Order no.:	Please take information from the data label!
	Customer name:	Factory order no.: Door item no.:
	Shipping address:	Customer no.:
	Place/date:	Price agreements:
		Stamp and signature

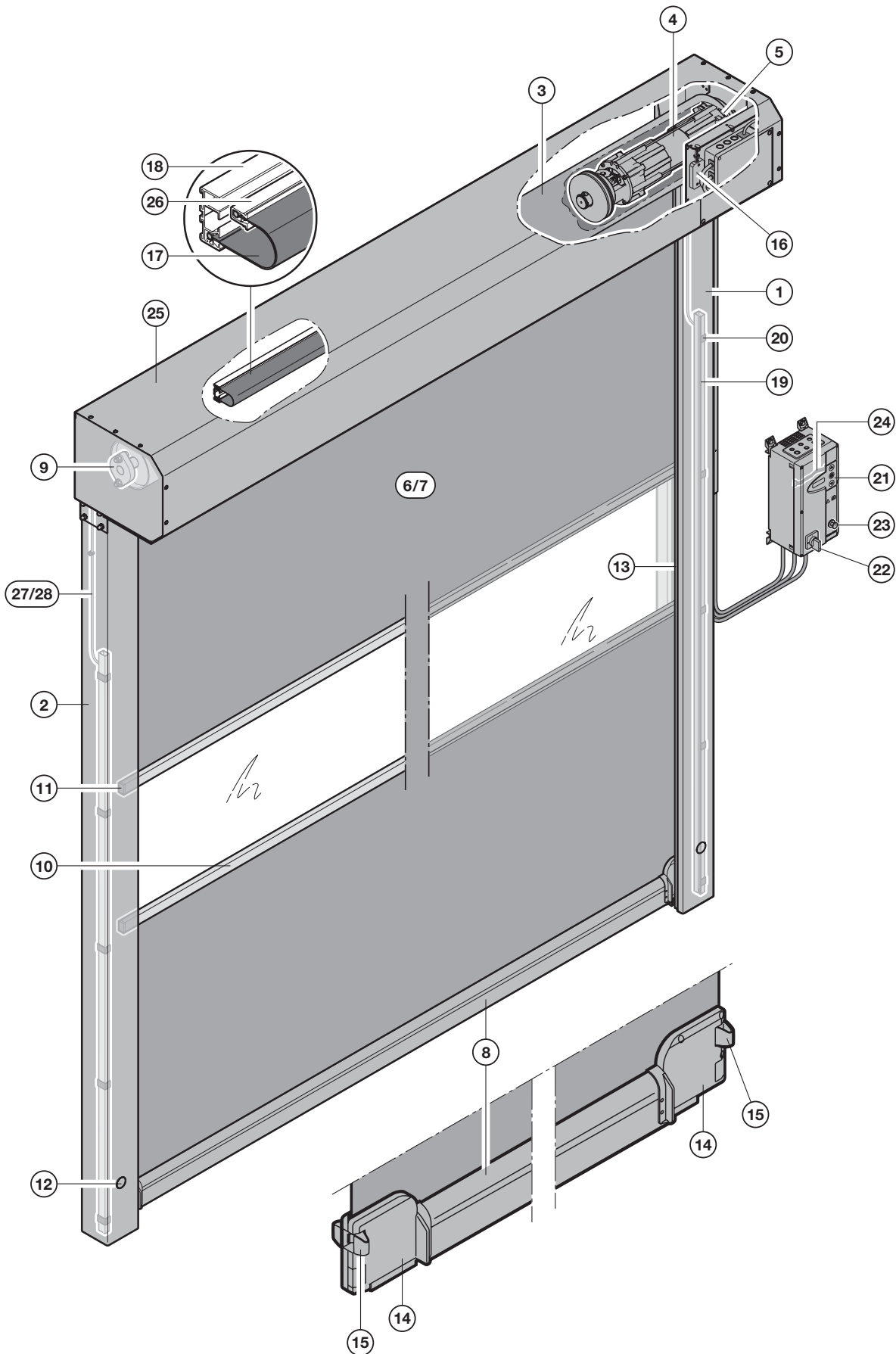
Item	Description	Art. no.	Quantity	€
1	Side assembly operator side ¹⁾	159821		/m
2	Side assembly bearing side ¹⁾	159826		/m
3	Shaft ¹⁾	306397		/m
4	Operator ¹⁾	4980060		/each
5	Brake 5 Nm 103 V DC	159033		/each
6	Anti-static curtain incl. wind locks (clear width x clear height) ¹⁾	306398		/m ²
7	Bottom part SE2, approx. 100 mm high, complete ¹⁾	157310		/m /each
8a	Opto transmitter wireless impulse transmission bearing side	159378		/each
8b	Opto receiver wireless impulse transmission operator side	159379		/each
9	Flange bearing ASFW 206	157043		/each
10	Rubber profile	157252		/m
11	Plastic end piece wireless impulse transmission SE2	159380		/each
12	Spring switch 4 diodes operator	4990703		/each
13	Spring switch L7000 bearing side	157263		/each
14	Cable box cover for wireless impulse transmission	159377		/each
15	Cable box on the right for wireless impulse transmission SE2	159375		/each

Item	Description	Art. no.	Quantity	€
16	Circuit board wireless impulse transmission	159370		/each
17	Battery holder 2 x LR14	159372		/each
18	Battery LR14	159381		/each
19	Light grille L510	4990546		/each
20	Housing wireless impulse transmission	159371		/each
21	Cover plug Ø28	158997		/each
22	Curtain loop complete ¹⁾	4991415		/m
23	Sealing frame channel ¹⁾	4991426		/m
24	Cable duct ¹⁾			
25	Cladding straight shaft operator on right ¹⁾	306399		/m
26	Seal for guide per side assembly ¹⁾			/each
31	Sealing frame clips ¹⁾	4991427		/m

1) State pur. order no.

ORDER	Order no.:	Please take information from the data label!
	Customer name:	Factory order no.: Door item no.:
	Shipping address: _____	Customer no.:
	Place/date:	Price agreements:
		Stamp and signature

5. V 2715 SEL R / Tubular Drive



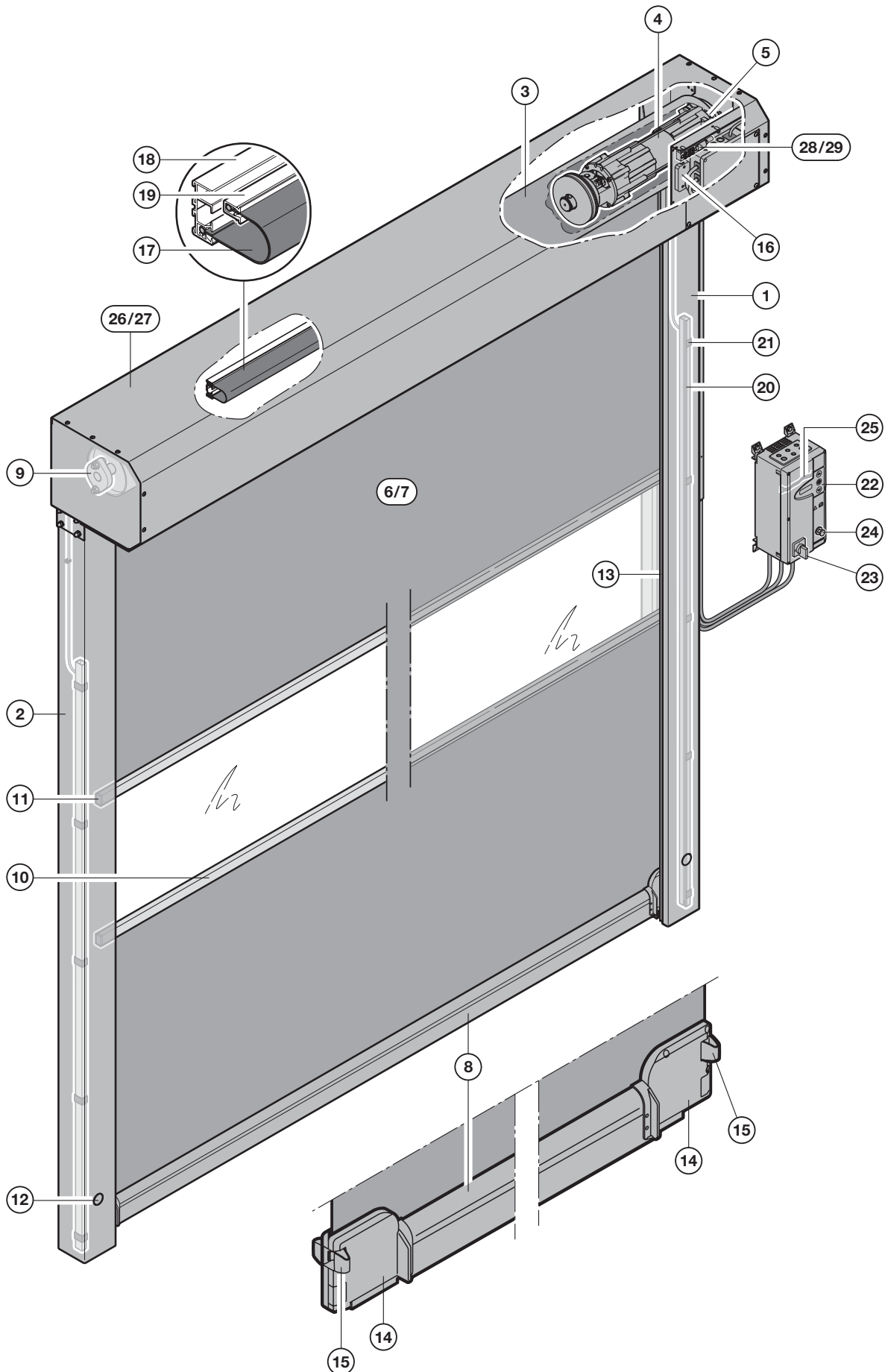
Item	Description	Art. no.	Quantity	€
1	Side assembly operator side ¹⁾	4990989		/m
2	Side assembly bearing side ¹⁾	4990990		/m
3	Shaft ¹⁾	4990991		/m
4	Operator ¹⁾	4980060		/each
5	Brake 5 Nm 103 V DC	159033		/each
6	Anti-static curtain incl. wind locks (clear width x clear height) ¹⁾	4990992		/m ²
7	Anti-static curtain section (only for alum. wind lock) ¹⁾	4991086		/m ²
8	Bottom part SE2, approx. 100 mm high, complete ¹⁾	4990993		/m /each
9	Flange bearing ASFW 206	157043		/each
10	Aluminium profile wind lock between the curtain sections (only with an aluminium wind lock) ¹⁾	157042		/m
11	End piece wind lock (only for alum. wind lock)	4981139		/each
12	Cover plug Ø28	158997		/each
13	Seal for guide per side assembly ¹⁾			/m
14	Plastic end piece wireless impulse transmission SE2 ¹⁾	159380		/each
15	Radio crash switch	4990754		/each


Item	Description	Art. no.	Quantity	€
16	Radio crash receiver	4990755		/each
17	Curtain loop complete ¹⁾	4991415		/m
18	Sealing frame channel ¹⁾	4991426		/m
19	Light grille ¹⁾			/each
20	Holder for light grille	4990887		/each
25	Operator side shaft cladding right complete ¹⁾	306862		/m
26	Sealing frame clips ¹⁾	4991427		/m
27	Cable, light grille, grey, 15 m long, receiver always fitted on left, only FUE H	4990759		/each
28	Cable, light grille, black, 15 m long, receiver always fitted on right, only FUE H	4990760		/each
31	Brake 24 V, only FUE-1	158402		/each
32	Mouse protection	157254		/each

1) State pur. order no.

ORDER	Order no.:	Please take information from the data label!
	Customer name:	Factory order no.: Door item no.:
	Shipping address: _____	Customer no.:
	Place/date:	Price agreements:
		Stamp and signature

6. V 4015 SEL R / Tubular Drive with Emergency Opening



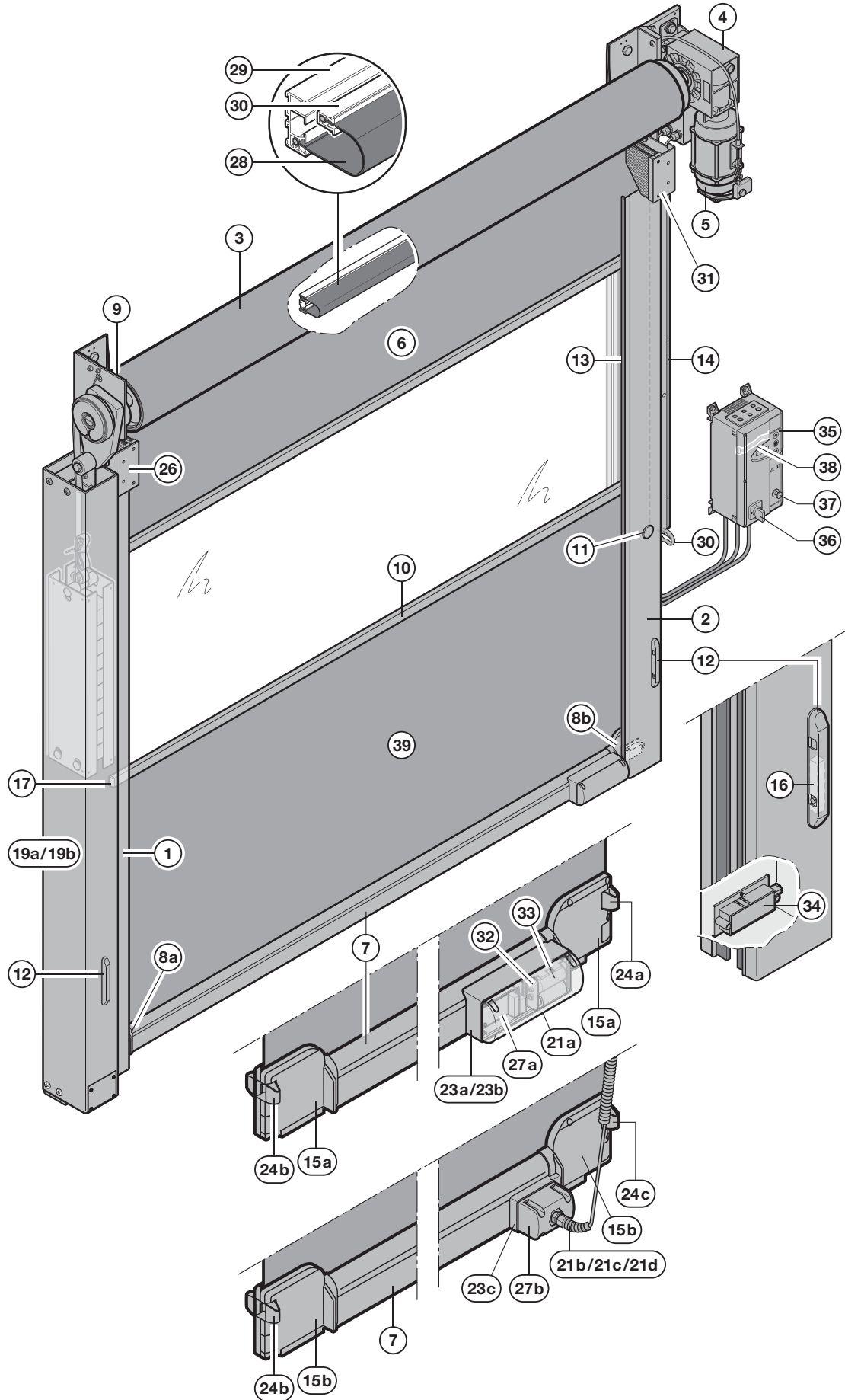
Item	Description	Art. no.	Quantity	€
1	Side assembly operator side ¹⁾	4991576		/m
2	Side assembly bearing side ¹⁾	4991577		/m
3 + 4	Shaft, operator ¹⁾			/m /each
5	Brake 5 Nm 103 V DC	159033		/each
6	Anti-static curtain incl. wind locks (clear width x clear height) ¹⁾	4991579		/m ²
7	Anti-static curtain section (only for alum. wind lock) ¹⁾	4991582		/m ²
8	Bottom part SE2, approx. 100 mm high, complete ¹⁾	4991580		/m /each
9	Grooved ball-bearing ASPFL 208	159403		/each
10	Aluminium profile wind lock between the curtain sections (only with an aluminium wind lock) ¹⁾	157042		/m
11	End piece wind lock (only for alum. wind lock)	4981139		/each
12	Cover plug Ø28	158997		/each
13	Seal for guide per side assembly ¹⁾			/m
14	Plastic end piece wireless impulse transmission SE2	159380		/each
15	Radio crash switch	4990754		/each
16	Radio crash receiver Snap (only FUE-1)	4980153		/each
17	PVC Kederprofil	4981157		/m
18	Sealing frame channel ¹⁾	4991426		/each
19	Sealing frame clips ¹⁾	4991427		/each
20	Light grille ¹⁾			/each




Item	Description	Art. no.	Quantity	€
21	Holder for light grille	4990887		/each
22	Keypad	306421		/each
23	Lockable main switch (only BK 150 FUE-1)	159611		/each
24	Rotary release emergency-off button	4980302		/each
25	Keypad extension	157097		/each
26	Operator side shaft cladding right complete ¹⁾	4991583		/m /each
27	Operator side shaft cladding left complete ¹⁾	4991584		/m /each
28	Distributor 6 x M8 snap ¹⁾			/each
29	Snap cable, white, light grille (only FUE-1) ¹⁾			/each
30	Cable, light grille, grey, 15 m long, receiver always fitted on left, only FUE H	4990759		/each
31	Cable, light grille, black, 15 m long, receiver always fitted on right, only FUE H	4990760		/each
32	Brake 24 V, only FUE-1	158402		/each
33	Mouse protection	157254		/each

1) State pur. order no.

ORDER	Order no.:	Please take information from the data label!	
	Customer name:	Factory order no.:	Door item no.:
	Shipping address:	Customer no.:	
	Place/date:	Price agreements:	
		Stamp and signature	

7. V 5015 SE / with SoftEdge and Anti-Crash



Item	Description	Art. no.	Quantity	€
1	Side assembly bearing side ¹⁾	157306		/m /each
2	Side assembly operator side ¹⁾	157307		/m /each
3	Shaft ¹⁾	157320		/m
4	Operator ¹⁾			
5	Brake 9 Nm 102 V DC	159034		/each
6	Anti-static curtain incl. wind locks (clear width x clear height) ¹⁾	157321		/m ²
7	Bottom part SE2, approx. 100 mm high, complete ¹⁾	157310		/m /each
8a	Opto transmitter wireless impulse transmission bearing side	159378		/each
8b	Opto receiver wireless impulse transmission operator side	159379		/each
9a	Flange bearing ASFW ¹⁾			
10	Aluminium profile wind lock between the curtain sections ¹⁾	157042		/m
11	Cover plug Ø 28	158997		/each
12	Photocell housing per side assembly	157268		/each
13	Seal for guide per side assembly ¹⁾			/m
14	Cable duct ¹⁾			
15a	Plastic end piece wireless impulse transmission SE2	159380		/each
15b	Plastic end piece spiral cable SE2	159334		/each
16	One-way photocell with cable S15/E5	159097		/each
17	Wind lock end piece	4981139		/each
21a	Cable box cover for wireless impulse transmission	159377		/each
21b	Spiral cable LDH ≤ 3500 with cover	158937		/each
21c	Spiral cable LDH ≥ 3500 and LDH < 4500 with cover ¹⁾	158911		/each
21d	Spiral cable LDH ≥ 4500 with cover ¹⁾	157187		/each
23a	Cable box on the right for wireless impulse transmission SE2	159375		/each

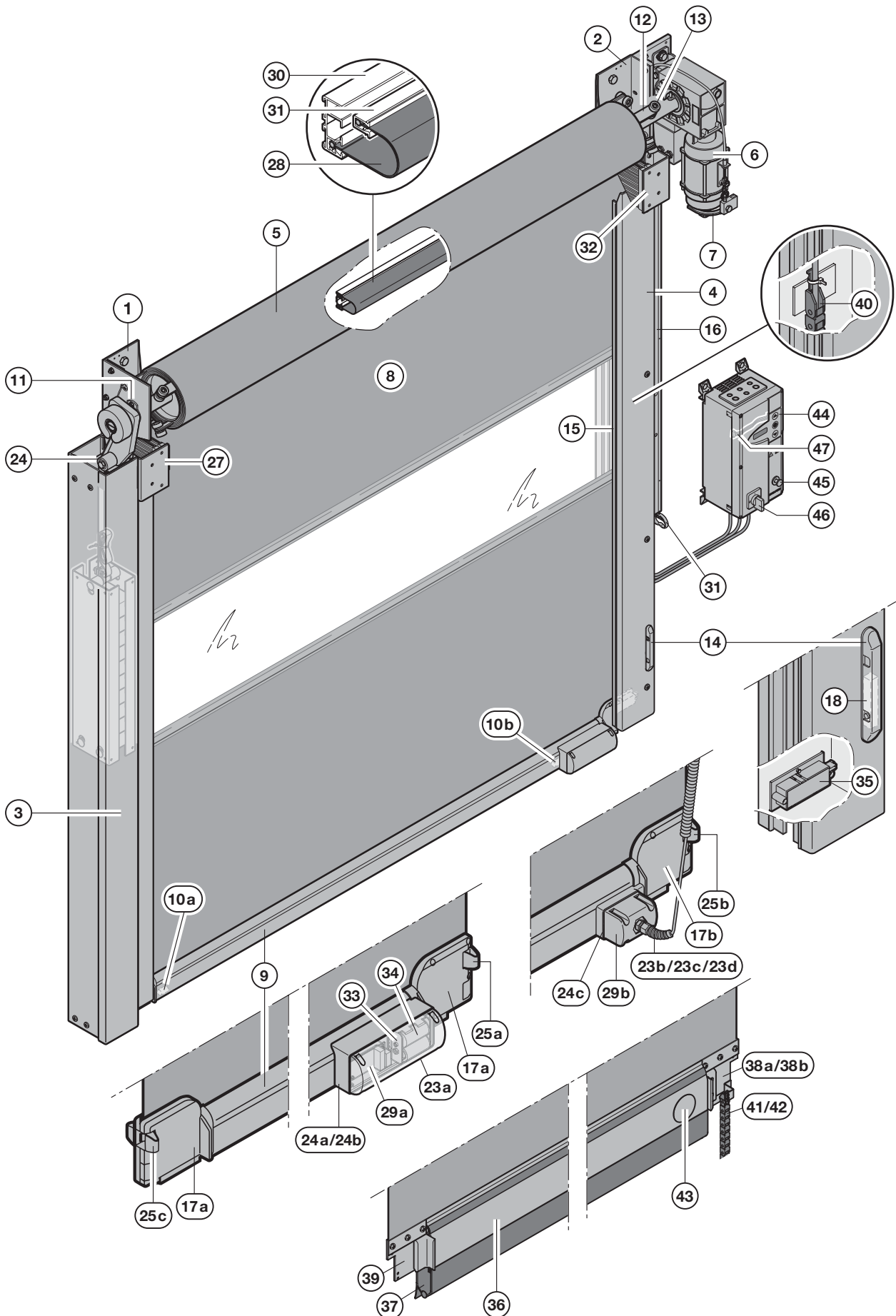
Item	Description	Art. no.	Quantity	€
23b	Cable box on the left for wireless impulse transmission SE2	159376		/each
23c	Cable box with sealing element SE2	157423		/each
24a	Spring switch 4 diodes operator ¹⁾	4990703		/each
24b	Spring switch L7000 bearing side	157263		/each
24c	Spring switch L 500 operator side ¹⁾	157318		/each
26	Automatic re-feed, left, complete ¹⁾	4991413		/each
27a	Wireless impulse transmission circuit board ¹⁾	159370		/each
27b	Circuit board spiral cable with terminal ¹⁾	158912		/each
28	Curtain loop complete ¹⁾	4991415		/m
29	Sealing frame channel ¹⁾	4991426		/m
30	Sealing frame clip ¹⁾	4991427		/m
31	Automatic re-feed, right, complete ¹⁾	4991414		/each
32	Battery holder 2 x LR14	159372		/each
33	Battery LR14	159381		/each
34	Housing wireless impulse transmission	159371		/each
35	Keypad (only BK 150 FU E H)	306421		/each
36	Lockable main switch (only BK 150 FU E H)	159611		/each
37	Rotary release emergency-off button	4980301		/each
38	Keypad extension	157097		/each
39	Anti-static curtain section ¹⁾	159068		/m ²



1) State pur. order no.

2) Emergency opening via counter weight option

ORDER	Order no.:	Please take information from the data label!
	Customer name:	Factory order no.: Door item no.:
	Shipping address:	Customer no.:
	Place/date:	Price agreements:
		Stamp and signature

8. V 5030 SE / with SoftEdge and Anti-Crash



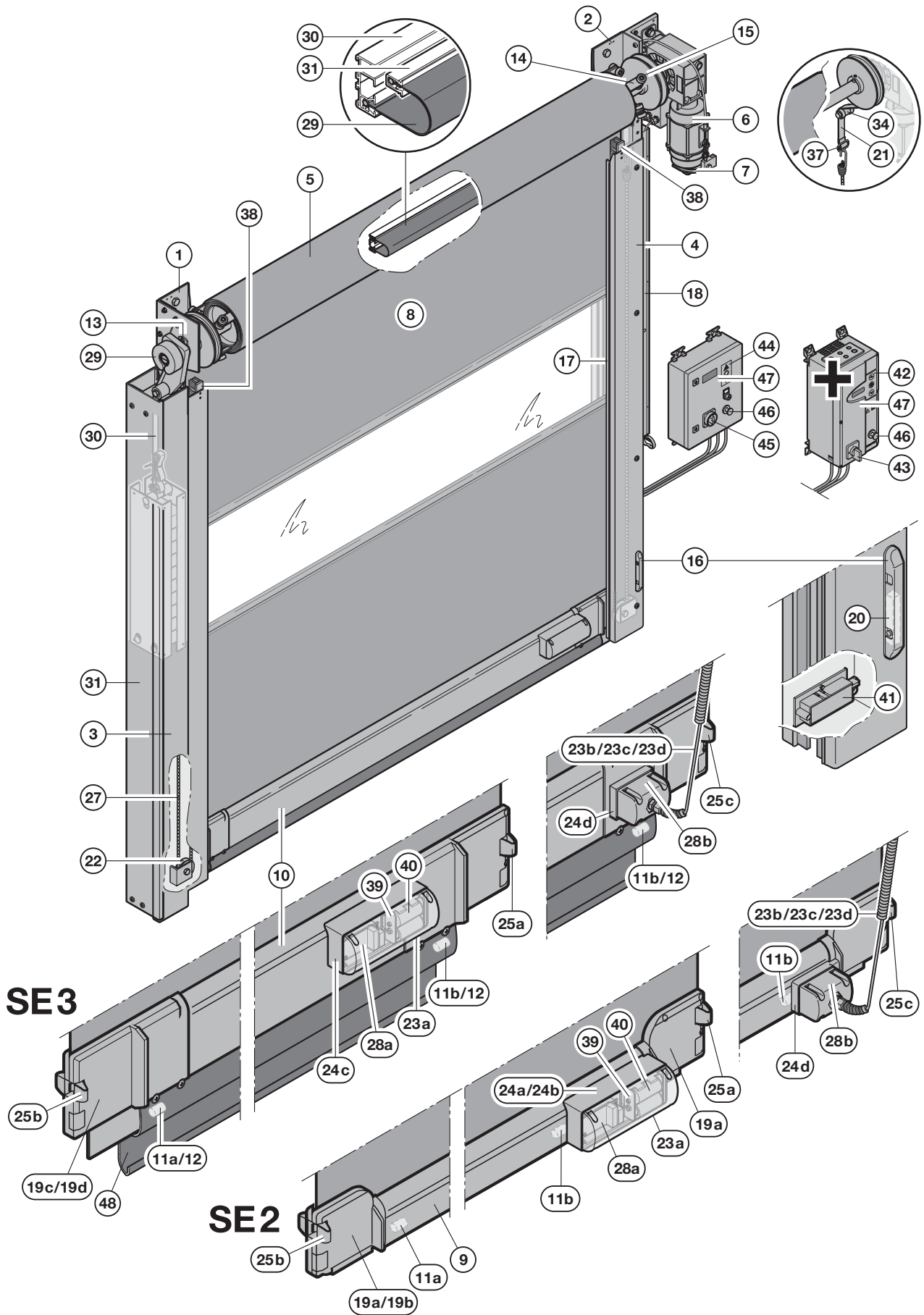
Item	Description	Art. no.	Quantity	€
1	Side assembly bearing side ¹⁾	159077		/m /each
2	Side assembly operator side ¹⁾	159680		/m /each
3	Bearing side cover ¹⁾	159831		/m
4	Operator side cover ¹⁾	157347		/m
5	Shaft ¹⁾	157412		/m
6	Operator ¹⁾			
7	Brake 9 Nm 102 V DC	159034		/each
8	Anti-static curtain incl. wind locks (clear width x clear height) ¹⁾	157490		/m ²
9	Bottom part SE2, approx. 100 mm high, complete ¹⁾	157310		/m /each
10a	Opto transmitter wireless impulse transmission bearing side	159378		/each
10b	Opto receiver wireless impulse transmission operator side	159379		/each
11	Flange bearing ASFW 208	159876		/each
12	Spring steel wind lock 2 x 23 ¹⁾	157355		/m
13	Complete wind lock roller 30	4990856		/each
14	Photocell housing per side assembly	157268		/each
15	Seal for guide per side assembly ¹⁾			/m
16	Cable duct ¹⁾			
17a	Plastic end piece wireless impulse transmission SE2 ¹⁾	159380		/each
17b	Plastic end piece spiral cable SE2 ¹⁾	159334		/each
18	Photocell one-way with cable S15/E5	159097		/each
23a	Cable box cover for wireless impulse transmission ¹⁾	159377		/each
23b	Spiral cable LDH < 3500 with cover ¹⁾	158937		/each
23c	Spiral cable LDH ≥ 3500 and LDH < 4500 with cover ¹⁾	158911		/each
23d	Spiral cable LDH ≥ 4500 with cover ¹⁾	157187		/each
24a	Cable box on the right for wireless impulse transmission ¹⁾	159375		/each
24b	Cable box on the left for wireless impulse transmission ¹⁾	159376		/each
24c	Cable box with sealing element SE2	157423		/each
25a	Spring switch 4 diodes operator ¹⁾	4990703		/each
25b	Spring switch L 500 operator side ¹⁾	157318		/each
25c	Spring switch L7000 bearing side	157263		/each
27	Complete automatic re-feed on left ¹⁾	4991605		/each


Item	Description	Art. no.	Quantity	€
28	Curtain loop complete	4991415		/m
29a	Wireless impulse transmission circuit board ¹⁾	159370		/each
29b	Circuit board spiral cable with terminal ¹⁾	158912		/each
30	Sealing frame channel	4991426		/m
31	Sealing frame clips	4991427		/each
32	Complete automatic re-feed on right ¹⁾	4991606		/each
33	Battery holder 2xLR14	159372		/each
34	Battery LR14	159381		/each
35	Housing wireless impulse transmission	159371		/each
36	Complete aluminium bottom part ¹⁾	4980023		/m /each
37	Rubber profile ¹⁾	157044		/m
38a	Complete right operator insert	4991428		/each
38b	Complete left operator insert	4991429		/each
39	Insert bearing side complete	4991049		/each
40	Energy chain connection element with hole	159084		/each
41	Energy chain 16.5 L1000	159849		/m
42	Energy chain 16.5 with connection element L 120	159102		/each
43	Cover plug Ø 61.5	157627		/each
44	Keypad (only BK 150 FU E H)	306421		/each
45	Rotary release emergency-off button	4980301		/each
46	Lockable main switch (only BK 150 FU E H)	159611		/each
47	Keypad extension	157097		/each

1) State pur. order no.

ORDER	Order no.:	Please take information from the data label!	
	Customer name:	Factory order no.:	Door item no.:
	Shipping address:	Customer no.:	
	Place/date:	Price agreements:	
		Stamp and signature	

9. V 6030 SE / with SoftEdge and Crash-Protection



Item	Description	Art. no.	Quantity	€
1	Side assembly bearing side ¹⁾	159445		/m
2	Side assembly operator side ¹⁾	159751		/m
3	Bearing side cover ¹⁾	159921		/m
4	Operator side cover ¹⁾	157348		/m
5	Shaft ¹⁾	157349		/m
6	Operator ¹⁾			
7	Brake 9 Nm 102 V DC	159034		/each
8	Anti-static curtain incl. wind locks (clear width x clear height) ¹⁾	157491		/m ²
9	Bottom part SE2, approx. 100 mm high, complete ¹⁾	157310		/m /each
10	Bottom part SE3, approx. 200 mm high, complete ¹⁾	157350		/m /each
11a	Opto transmitter wireless impulse transmission bearing side	159378		/each
11b	Opto receiver wireless impulse transmission operator side	159379		/each
12	Opto sensor insert SE3	159190		/each
13	Flange bearing ASFW 208	159876		/each
14	Spring steel wind lock 2 x 23 mm ¹⁾	157355		/m
15	Complete wind lock roller 23	4990748		/each
16	Photocell housing per side assembly	157268		/each
17	Seal for guide per side assembly ¹⁾			/each
18	Cable duct ¹⁾			/each
19a	Plastic end piece wireless impulse transmission SE2 ¹⁾	159380		/each
19b	Plastic end piece spiral cable SE2 ¹⁾	159334		/each
19c	Plastic end piece wireless impulse transmission SE3 ¹⁾	159382		/each
19d	Plastic end piece spiral cable SE 3 left + right ¹⁾ ³⁾	157358		/each
20	One-way photocell with cable S15/E5	159097		/each
21	Belt 20 mm	159245		/m
22	Return pulley rubber spring	157359		/each
23a	Cable box cover for wireless impulse transmission ¹⁾	159377		/each
23b	Spiral cable LDH < 3500 with cover	158937		/each
23c	Spiral cable LDH ≥ 3500 and LDH < 4500 with cover ¹⁾	158911		/each
23d	Spiral cable LDH ≥ 4500 with cover ¹⁾	157187		/each
24a	Cable box on the right for wireless impulse transmission SE2	159375		/each
24b	Cable box on the left for wireless impulse transmission SE2	159376		/each

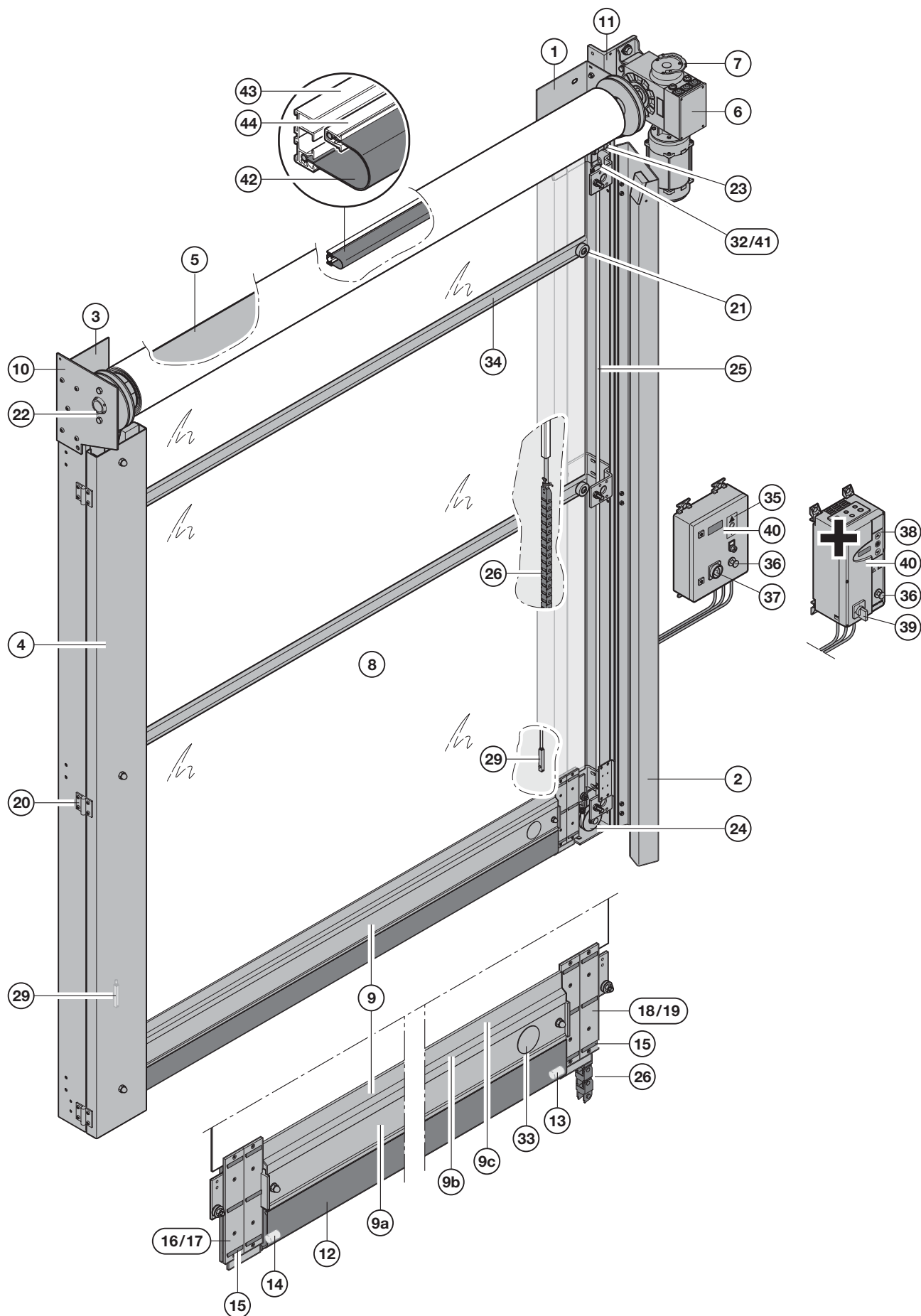
Item	Description	Art. no.	Quantity	€
24c	Cable box for wireless impulse transmission SE3	159383		/each
24d	Cable box with sealing element SE2	157423		/each
25a	Spring switch 4 diodes operator ¹⁾	4990703		/each
25b	Spring switch L7000 bearing side	157263		/each
25c	Spring switch L 500 operator side ¹⁾	157318		/each
27	Rubber spring with spiral hook ¹⁾	157494		/m
28a	Wireless impulse transmission circuit board ¹⁾	159370		/each
28b	Circuit board spiral cable with terminal ¹⁾	158912		/each
29	Curtain loop complete ¹⁾	4991342		/m
30	Sealing frame channel ¹⁾	4991426		/each
31	Sealing frame clips ¹⁾	4991427		/m
34	Return pulley belt	157050		/each
37	Belt clasp for rubber cord	157891		/each
38	UPVC automatic re-feed	4991772		/each
39	Battery holder 2 x LR14	159372		/each
40	Battery LR 14	159381		/each
41	Housing wireless impulse transmission	159371		/each
42	Keypad (only BK 150 FU E H)	306421		/each
43	Lockable main switch (only BK 150 FU E H)	159611		/each
46	Rotary release emergency-off button	4980301		/each
47	Keypad extension	157097		/each
48	Rubber profile ¹⁾	158948		/m



1) State pur. order no.

3) State the required side left or right

ORDER	Order no.:	Please take information from the data label!	
	Customer name:	Factory order no.:	Door item no.:
	Shipping address:	Customer no.:	
	Place/date:	Price agreements:	
		Stamp and signature	

10. V 6020 TR / Fully Transparent



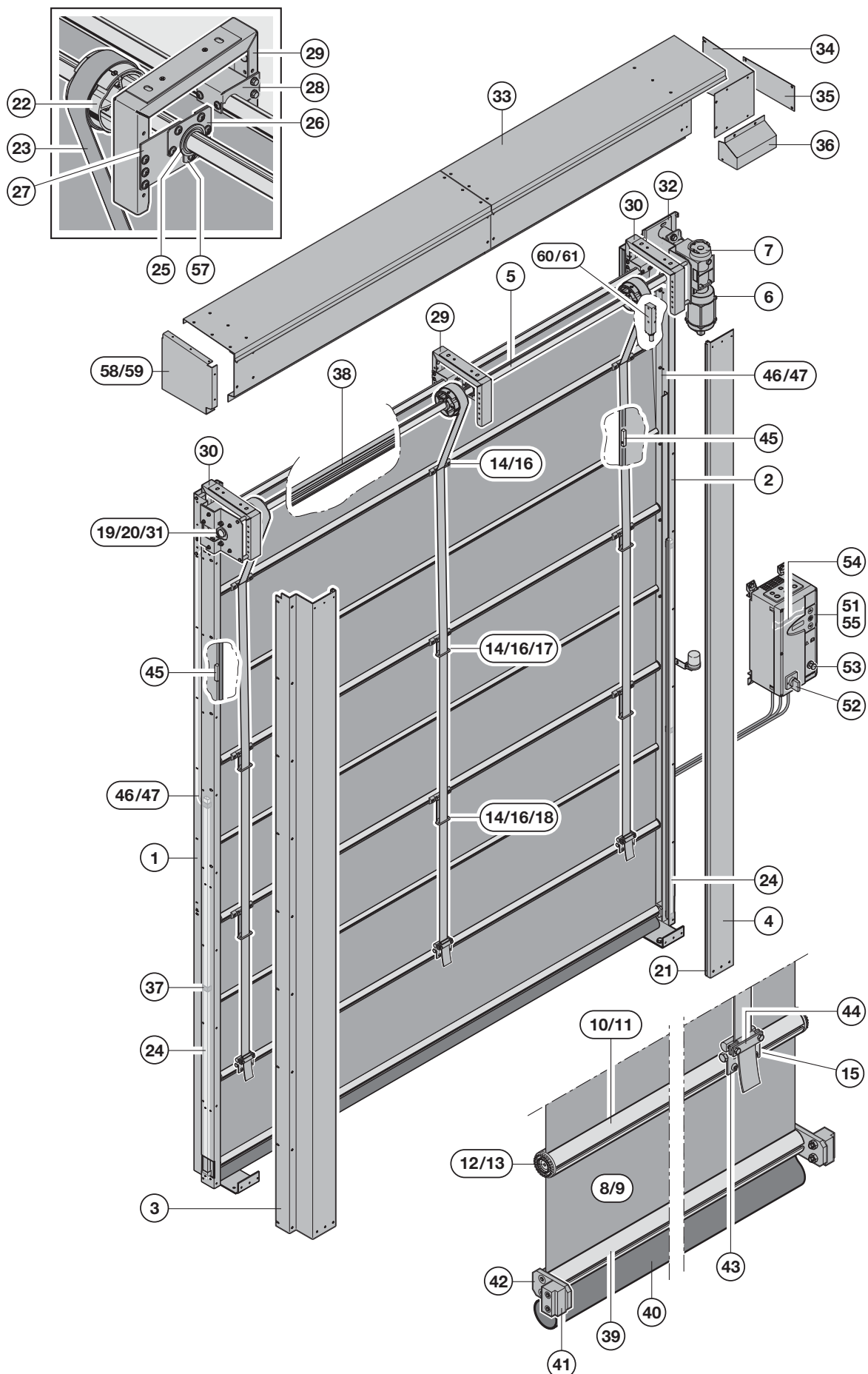
Item	Description	Art. no.	Quantity	€
1	Side assembly operator side ¹⁾	159675		/m /each
2	Operator side cover ¹⁾	159677		/m
3	Side assembly bearing side ¹⁾	159676		/m /each
4	Bearing side cover ¹⁾	159678		/m
5	Shaft ¹⁾	159679		/m
6	Operator ¹⁾			
7	Brake ¹⁾			
8	Curtain incl. wind locks (clear width x clear height) ¹⁾	159686		/m ²
9	Complete bottom part ¹⁾	4991075		/m /each
9a	Aluminium bottom part profile ¹⁾	4991069		/m
9b	Square aluminium attachment profile ¹⁾	4991076		/m
9c	Aluminium suspension profile UT ¹⁾	4991090		/m
10	Bearing support bracket	159689		/each
11	Operator support bracket	159690		/each
12	Rubber profile ¹⁾	157055		/m
13	Opto receiver wireless impulse transmission operator side	159379		/each
14	Opto transmitter wireless impulse transmission bearing side	159378		/each
15	Slide with brush	159201		/each
16	Left bearing side insert	4991466		/each
17	Right bearing side insert	4991468		/each
18	Insert right operator side complete	4991467		/each
19	Insert left operator side complete	4991469		/each
20	Hinge loose pin	159575		/each




Item	Description	Art. no.	Quantity	€
21	Wind lock roller	159446		/each
22	Flange bearing ASFW 208	159876		/each
23	Complete return pulley	159204		/each
24	Complete bottom return pulley	159694		/each
25	Rubber spring (cord) with 2 spiral hooks ¹⁾	159203		/m
26	Complete energy chain with cable + connection piece	159089		/each
29	One-way photocell with cable S15/E5	159097		/each
32	Belt 20 mm	159245		/m
33	Cover plug Ø 51	4991283		/each
34	Spring steel wind lock 2 x 23 mm ¹⁾	157355		/m
35	Keypad (only AS 500)	159137		/each
36	Rotary release emergency-off button	157299		/each
37	Main switch (only AS 500)	4991866		/each
38	Keypad (only BK 150 FU E H)	306421		/each
39	Lockable main switch (only BK 150 FU E H)	159611		/each
40	Keypad extension	157097		/each
41	Belt clasp for rubber cord	157891		/each
42	Curtain loop complete ¹⁾	4991342		/m
43	Sealing frame channel ¹⁾	4991426		/each
44	Sealing frame clips ¹⁾	4991427		/m


1) State pur. order no.

ORDER	Order no.:	Please take information from the data label!
	Customer name:	Factory order no.: _____ Door item no.: _____
	Shipping address: _____	Customer no.: _____
	Place/date:	Price agreements: _____
		Stamp and signature

11. V 9012 L Stacking / with folding curtain for large openings





Item	Description	Art. no.	Quantity	€
1	Side assembly bearing side ¹⁾	4991730		/m /each
2	Side assembly operator side ¹⁾	4991731		/m /each
3	Left cover ¹⁾	4991732		/m
4	Right cover ¹⁾	4991733		/m
5	Shaft ¹⁾	4991734		/m
6	Operator ¹⁾			
7	Brake ¹⁾			
8	Anti-static curtain incl. wind locks (clear width x clear height) ¹⁾	4991735		/m ²
9	Anti-static curtain section ¹⁾ 4)	4991736		/m ²
10	Aluminium wind lock profile D 54 between the curtain sections ¹⁾	4991737		/m
11	Aluminium wind lock profile D 38 between the curtain sections ¹⁾	4991738		/m
12	Wind lock slide D52	4991739		/each
13	Wind lock slide D36	4991740		/each
14	Sliding block profile 6 L110	4991741		/each
15	Sliding block profile 6 L70	4991742		/each
16	Complete belt guide	4991743		/each
17	Belt with eyelet 70	4991744		/each
18	Belt with eyelet 120	4991745		/each
19	Grooved ball-bearing ASPFL 208	159403		/each
20	Spacer plate for bearing	159598		/each
21	Edge guard	157563		/m
22	Complete guide roller	4991746		/each
23	Belt 50 mm	4991747		/m
24	Light grille ¹⁾			/each
25	Bearing with groove + bearing shell ¹⁾	157354		/each
26	Retaining plate	4991748		/each
27	Support bearing bracket	4991749		/each
28	Curtain fixing holder ¹⁾			
29	Mounting strap centre	4991750		/each
30	Complete mounting strap for side element	4991751		/each


Item	Description	Art. no.	Quantity	€
31	Bearing support bracket	4991752		/each
32	Operator support bracket	4991753		/each
33	Shaft cladding ¹⁾			/m
34	Operator cladding centre	4991754		/each
35	Operator cladding bottom	4991755		/each
36	Terminal box cover	4991756		/each
37	Holder for light grille	4991008		/each
38	Sealing frame channel ¹⁾	4991426		/m
39	Complete bottom part ¹⁾	4991757		/m /each
40	Complete bottom edge	4991758		/m /each
41	Guide slide	4991759		/each
42	Stop slide	4991760		/each
43	Complete belt connection	4991761		/each
44	Clamp plate	4991762		/each
45	Photocell one-way with cable S15/E5	159097		/each
46	Grey cable L15000	4990759		/each
47	Black cable L15000	4990760		/each
51	Keypad (only AK 500 FUE-1)	306421		/each
52	Main switch (only AK 500 FUE-1)	4991939		/each
53	Emergency-off button (only AK 500 FUE-1)	4980306		/each
54	Keypad extension	157097		/each
55	Keypad (only AKE)	306815		/each
57	Bearing shell	158985		/each
58	Bearing side cover left	4991763		/each
59	Bearing side cover right	4991764		/each
60	Distributor 6 x M8 snap ¹⁾			/each
61	Snap cable, white, light grille (only FUE-1) ¹⁾			/each

1) State pur. order no.

4) State position in the curtain

ORDER	Order no.:	Please take information from the data label!	
	Customer name:	Factory order no.:	Door item no.:
	Shipping address:	Customer no.:	
	Place/date:	Price agreements:	
		Stamp and signature	

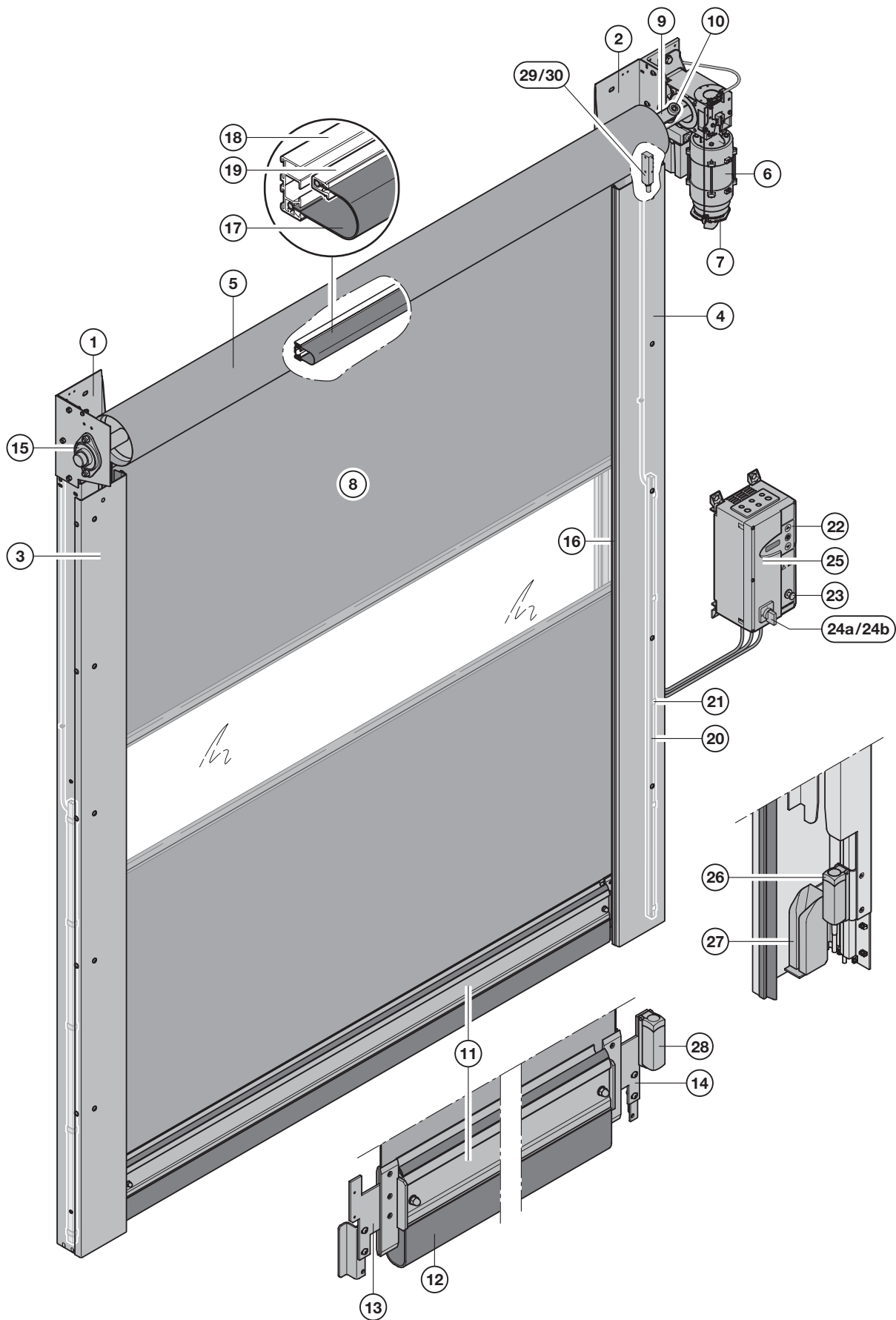
Item	Description	Art. no.	Quantity	€
1	Side assembly bearing side without cover ¹⁾	159181		/m
2	Side assembly operator side without cover ¹⁾	159182		/m
3	Bearing side cover ¹⁾	159183		/m
4	Operator side cover ¹⁾	159184		/m
5a	Shaft LB > 7300 mm ¹⁾	159191		/m
5b	Shaft LB ≤ 7300 mm ¹⁾	159185		/m
6	Operator ¹⁾			
7	Brake ¹⁾			
8	Anti-static curtain incl. wind locks (clear width × clear height) ¹⁾	159192		/m ²
9	Complete bottom part ¹⁾	159193		/m /each
10	Contact bar type G 31 ¹⁾	4991789		/m
11	Bottom seal for contact bar	159195		/m
12	Slide with brush	159201		/each
13	Slide	159202		/each
14	Wind lock roller	159446		/each
15a	Wind lock over 7.5 m door width ¹⁾	159197		/m
15b	Wind lock up to 7.5 m door width ¹⁾	159196		/m
16	Energy chain complete with cable + connecting piece	159089		/each
17	Belt 20 mm	159245		/m
18	Rubber spring (cord) with 2 spiral hooks ¹⁾	159203		/m
19	Complete return pulley	159204		/each
20	Complete return pulley rubber spring	159205		/each

Item	Description	Art. no.	Quantity	€
21	Connection of belt to rubber spring	159346		/each
22	Thread aid brush	306334		/each
23	One-way photocell with cable S15/E5	159097		/each
24	Flange bearing UCP ¹⁾			
25	Rubber-metal buffer	159206		/each
26	Curtain loop complete ¹⁾	4991339		/m
27	Sealing frame channel ¹⁾	4991426		/m
28	Hinge loose pin	159575		/each
29	Insert operator side complete ¹⁾	159347		/each
30	Insert bearing side complete ¹⁾	157118		/each
31	Cover plug Ø38.1	157166		/each
32	Keypad	306421		/each
33	Main switch (only AK 500 FUE-1)	4991939		/each
34	Emergency-off button (only AK 500 FUE-1)	4980306		/each
35	Keypad extension	157097		/each
36	Sealing frame clips ¹⁾	4991427		/m

1) State pur. order no.

ORDER	Order no.:	Please take information from the data label!	
	Customer name:	Factory order no.:	Door item no.:
	Shipping address: _____	Customer no.:	
	Place/date:	Price agreements:	
		Stamp and signature	

13. V 5030 MSL / Personal and Machine Safety



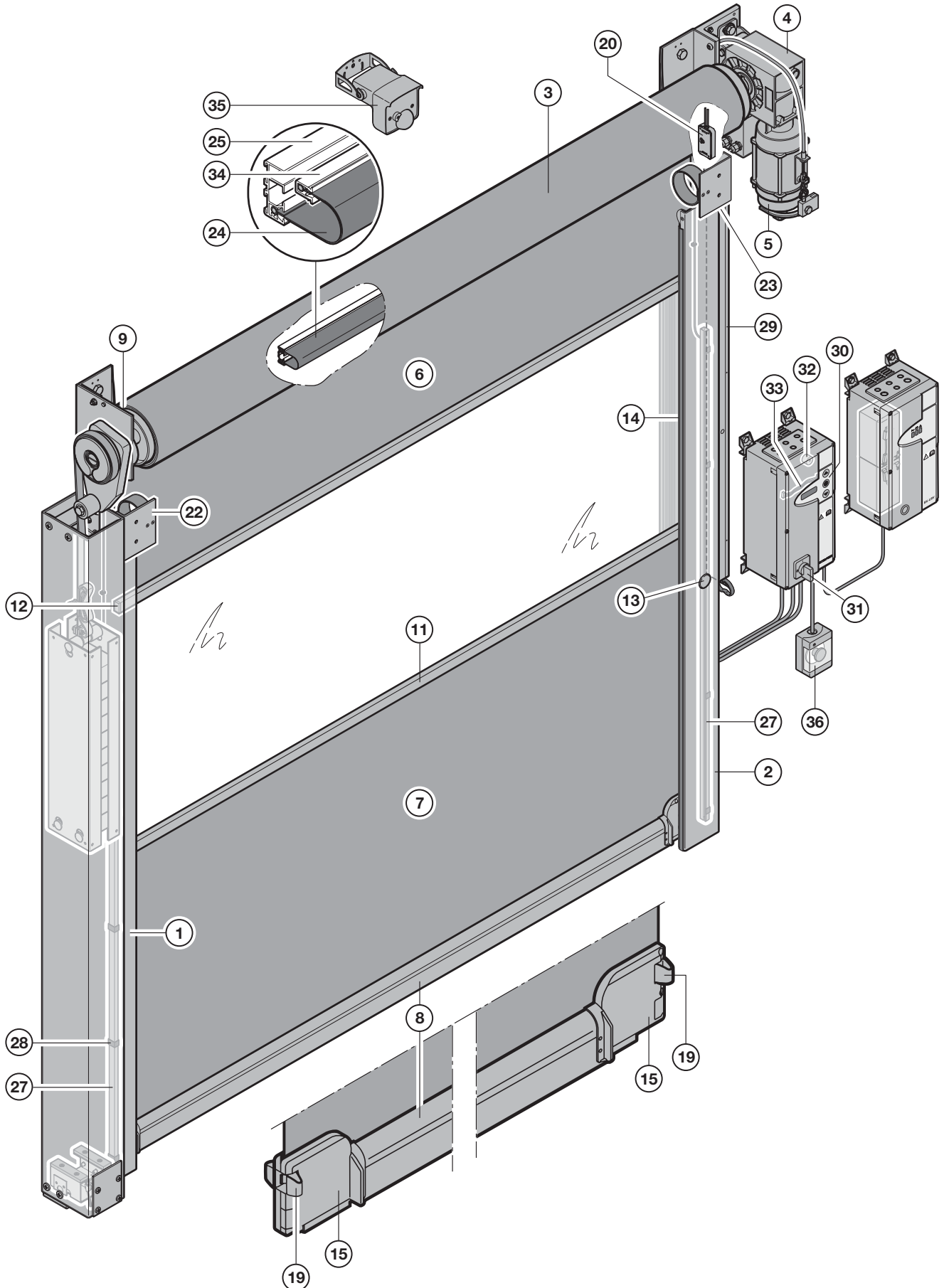
Item	Description	Art. no.	Quantity	€
1	Side assembly bearing side ¹⁾	4991449		/m /each
2	Side assembly operator side ¹⁾	4991450		/m /each
3	Bearing side cover ¹⁾	4991452		/m /each
4	Operator side cover ¹⁾	4991453		/m /each
5	Shaft ¹⁾	4991463		/m
6	Operator ¹⁾	4991504		/each
7	Brake 9 Nm 102 V DC	159034		/each
8	Anti-static curtain incl. wind locks (clear width x clear height) ¹⁾	4991464		/m ²
9	Spring steel wind lock 2 x 23 mm ¹⁾	157355		/m
10	Complete wind lock roller	4990856		/each
11	Complete aluminium bottom part ¹⁾	4991451		/m /each
12	Rubber profile	4991053		/m
13	Insert bearing side complete ¹⁾	4980042		/each
14	Insert operator side complete ¹⁾	4980041		/each
15	Grooved ball-bearing ASPFL 208	159403		/each
16	Seal for guide per side assembly ¹⁾			/each


Item	Description	Art. no.	Quantity	€
17	Curtain loop complete ¹⁾	4991415		/m
18	Sealing frame channel ¹⁾	4991426		/m
19	Sealing frame clips ¹⁾	4991427		/m
20	Light grille ¹⁾			/each
21	Holder for light grille	4990887		/each
22	Keypad	306421		/each
23	Rotary release emergency-off button			/each
24a	Lockable main switch (only AK 500 FUE-1)	4991939		/each
24b	Lockable main switch (only BK 150 FUE-1)	159611		/each
25	Keypad extension	157097		/each
26	Safety sensor	4991377		/each
27	Precision-guidance	4980045		/each
28	Actuator	4991378		/each
29	Distributor 6 x M8 snap ¹⁾			/each
30	Snap cable, white, light grille (only FUE-1) ¹⁾			/each

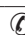
1) State pur. order no.

ORDER	Order no.:	Please take information from the data label!	
	Customer name:	Factory order no.:	Door item no.:
	Shipping address: _____	Customer no.:	
	Place/date:	Price agreements:	
		Stamp and signature	

14. V 4014 SEL RW / Internal door for rescue routes, approval required in individual cases



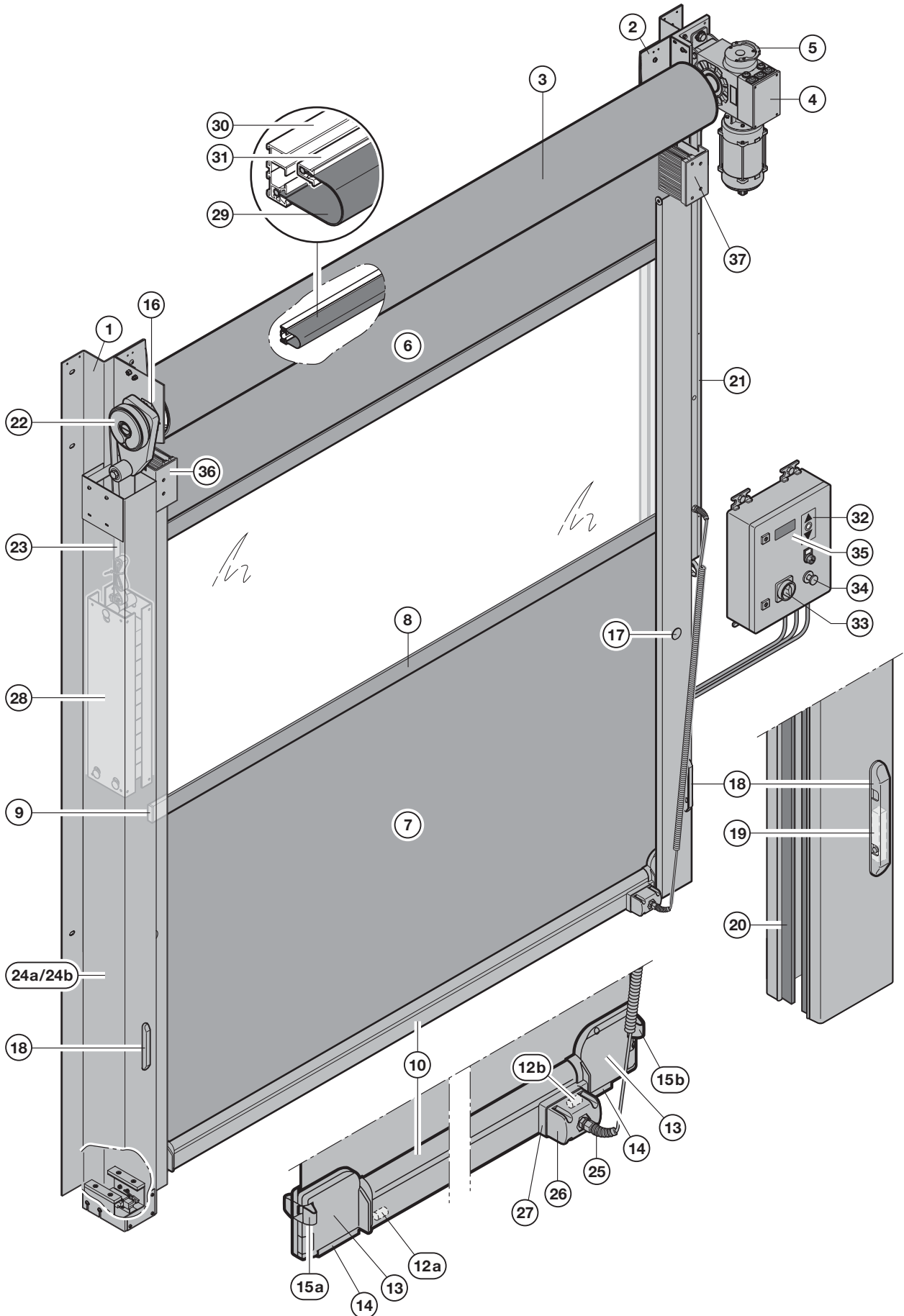
Item	Description	Art. no.	Quantity	€
1	Side assembly bearing side ¹⁾	4990907		/m
2	Side assembly operator side ¹⁾	4990906		/m
3	Shaft ¹⁾	4990903		/m
4	Operator ¹⁾			/each
5	Brake 9 Nm 102 V DC	159034		/each
6	Anti-static curtain incl. wind locks (clear width x clear height) ¹⁾	4990904		/m ²
7	Anti-static curtain section ¹⁾	4980010		/m ²
8	Complete bottom part SE2 ¹⁾	4990905		/m /each
9	Flange bearing ASFW 208	159876		/each
11	Aluminium profile wind locks between the curtain sections ¹⁾	157042		/m
12	Wind lock end piece	4981139		/each
13	Cover plug Ø28	158997		/each
14	Seal for guide per side assembly ¹⁾			/m
15	Plastic end piece wireless impulse transmission SE2	159380		/each
19	Radio crash switch	4990754		/each
20	Radio crash receiver	4990755		/each



Item	Description	Art. no.	Quantity	€
22	Automatic re-feed left complete ¹⁾	4991413		/each
23	Automatic re-feed right complete ¹⁾	4991414		/each
24	Curtain loop complete ¹⁾	4991415		/m
25	Sealing frame channel ¹⁾	4991426		/m
27	Light grille ¹⁾			/each
28	Holder for light grille	4990887		/each
29	Cable duct ¹⁾ ²⁾			/each
30	Keypad (only BK 150 FU E H)	306421		/each
31	Lockable main switch (only BK 150 FU E H)	159611		/each
32	Rotary release emergency-off button	4980301		/each
33	Keypad extension	157097		/each
34	Sealing frame clips ¹⁾	4991427		/m
35	Radar presence detector Comfort Mini	4991303		/each
36	Rescue route emergency open button	4991717		/each


1) State pur. order no.

ORDER	Order no.:	Please take information from the data label!
	Customer name:	Factory order no.: _____ Door item no.: _____
	Shipping address: _____	Customer no.: _____
	Place/date:	Price agreements: _____
		Stamp and signature

15. V 3015 RW / Rescue Routes



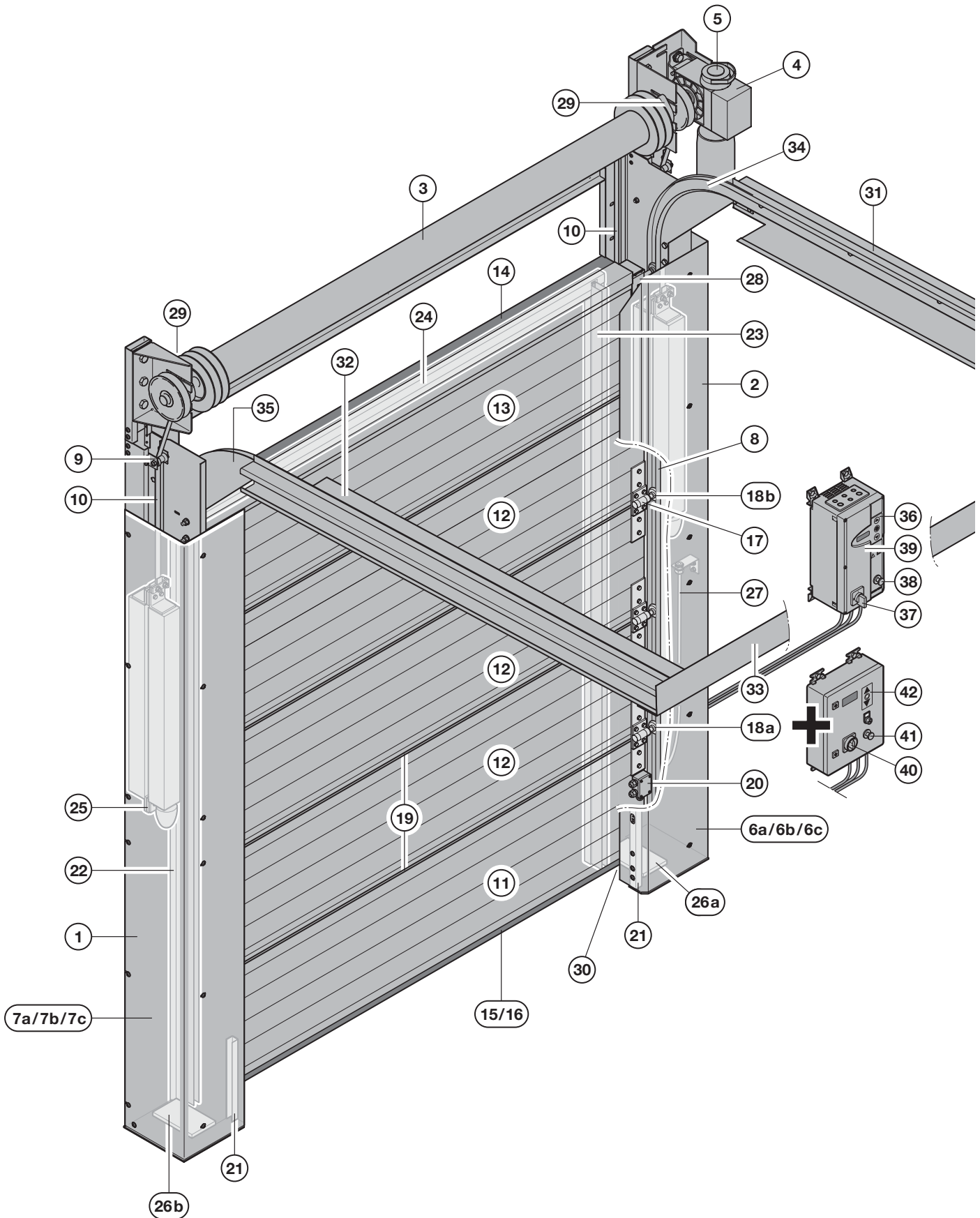
Item	Description	Art. no.	Quantity	€
1	Side assembly bearing side ¹⁾	157167		/m
2	Side assembly operator side ¹⁾	157168		/m
3	Shaft ¹⁾	157171		/m
4	Operator	158132		/each
5	Brake ¹⁾			
6	Anti-static curtain incl. wind locks (clear width x clear height) ¹⁾	157321		/m ²
7	Anti-static curtain section ¹⁾	159068		/m ²
8	Aluminium profile wind lock between the curtain sections ¹⁾	157042		/m
9	Wind lock end piece	4981139		/each
10	Bottom part SE2, approx. 100 mm high, complete ¹⁾	157310		/m /each
12a	Opto transmitter wireless impulse transmission bearing side	159378		/each
12b	Opto receiver wireless impulse transmission operator side	159379		/each
13	Plastic end piece spiral cable SE2	159334		/each
14	Mouse protection SE2	157254		/each
15a	Spring switch L7000 bearing side	157263		/each
15b	Spring switch L 500 operator side	157318		/each
16	Bearing with groove + bearing bushings	157354		/each
17	Cover plug Ø 28	158997		/each
18	Photocell housing per side assembly	157268		/each
19	Photocell one-way with cable S15/E5	159097		/each
20	Seal for guide per side assembly ¹⁾			/each
21	Cable duct ¹⁾			
22	Complete emergency opening guide roller	306082		/each
23	Belt 20 mm	159245		/m
24a	Counter weight guide box left ¹⁾	157315		/m
24b	Counter weight guide box right ¹⁾	157316		/m
25a	Spiral cable LDH ≤ 3500 with cover ¹⁾	158937		/each


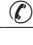

Item	Description	Art. no.	Quantity	€
25b	Spiral cable LDH ≥ 3500 and LDH < 4500 with cover ¹⁾	158911		/each
25c	Spiral cable LDH ≥ 4500 with cover ¹⁾	157187		/each
26	Circuit board spiral cable with terminal	158912		/each
27	Cable box with sealing element SE2	157423		/each
28	Counter weight sheet profile ¹⁾			
29	Curtain loop complete ¹⁾	4991415		/m
30	Sealing frame channel ¹⁾	4991426		/m
31	Sealing frame clips ¹⁾	4991427		/m
32	Keypad	159137		/each
33	Complete hat rail main switch 16/20A	4990718		/each
34	Rotary release emergency-off button	157299		/each
35	Keypad extension	157097		/each
36	Automatic re-feed, left, complete ¹⁾	4991413		/each
37	Automatic re-feed, right, complete ¹⁾	4991414		/each

1) State pur. order no.

ORDER	Order no.:	Please take information from the data label!
	Customer name:	Factory order no.: _____ Door item no.: _____
	Shipping address: _____	Customer no.: _____
	Place/date:	Price agreements: _____
		Stamp and signature

16. Iso Speed Cold H / Refrigeration Logistics with High-Lift Track Application



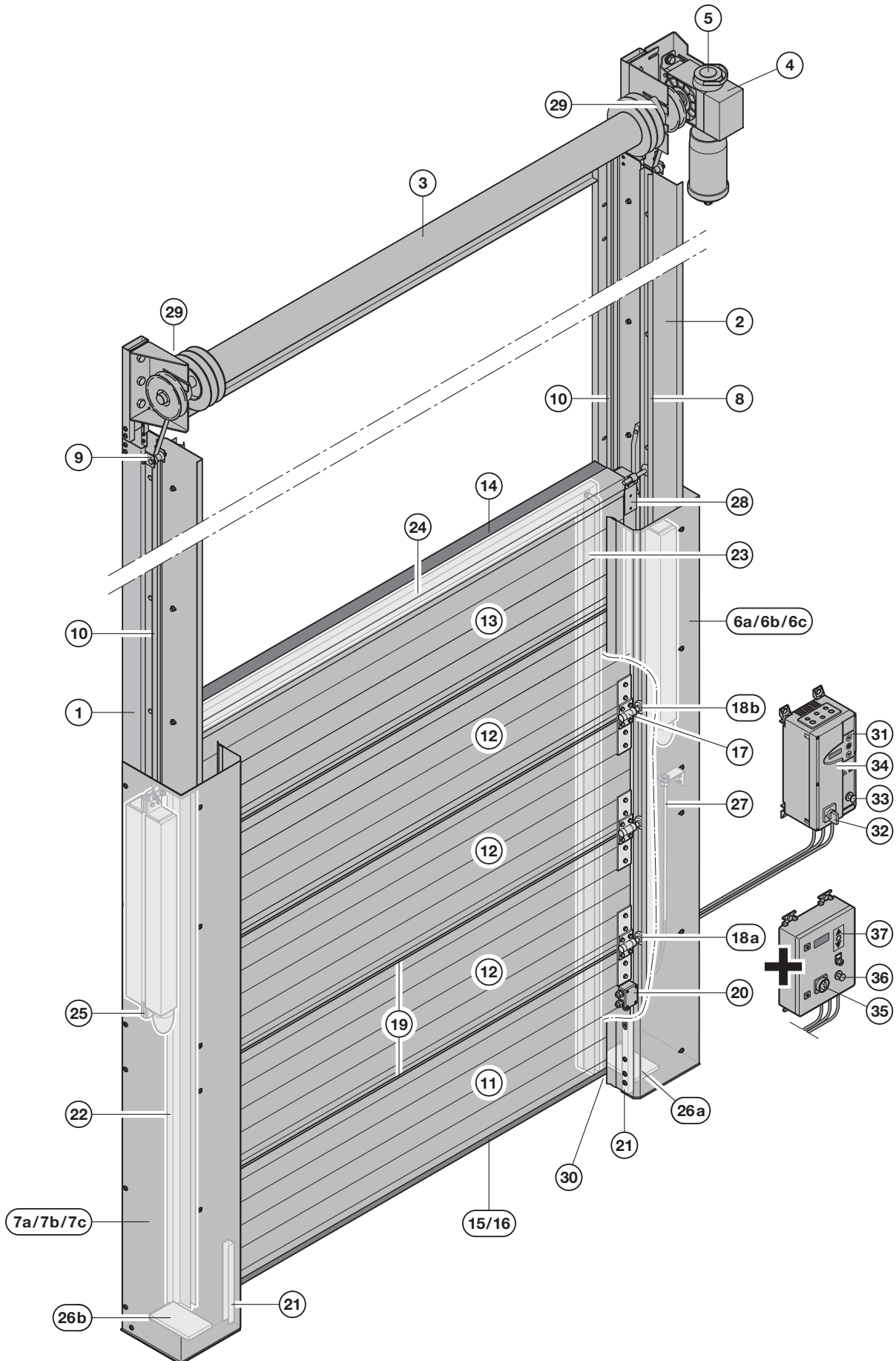
Item	Description	Art. no.	Quantity	€
1	Side assembly bearing side ¹⁾	306379		/m /each
2	Side assembly operator side ¹⁾	306378		/m /each
3	Shaft ¹⁾	306343		/m /each
4	Operator ¹⁾			
5	Brake ¹⁾			
6a	Right cover sheet ¹⁾	159651		/m
6b	Right bottom cover sheet ¹⁾	159655		/m
6c	Right top cover sheet ¹⁾	159653		/m
7a	Left cover sheet ¹⁾	159652		/m
7b	Bottom left cover sheet ¹⁾	159656		/m
7c	Top left cover sheet ¹⁾	159654		/m
8	Straight track ¹⁾	306353		/m
9	Complete return pulley	306377		/each
10	Belt ¹⁾			
11	Bottom edge panel ¹⁾	306364		/m ²
12	Inclination panel ¹⁾	306365		/m ²
13	Top edge panel ¹⁾	306366		/m ²
14	Lintel seal 41.5 x 80	4980038		/m
15	Double contact bar ¹⁾	306368		/m
16	Bottom seal contact bar complete ¹⁾	159649		/each
17	Complete hinge	306371		/each
18a	Roller with spring l = 120 mm	306369		/each
18b	Roller with spring l = 105 mm	306370		/each
19	Panel joint heating element ¹⁾	306389		/each
20	Panel connection socket	306396		/each
21	Photocell holder	306382		/each
22	Left heater unit ¹⁾	4991358		/m
23	Right heater unit ¹⁾	4991357		/m
24	Lintel heater unit ¹⁾	4991359		/m
25	Counter weight slide	306384		/each
26a	Right bottom plate heater ¹⁾	306393		/each
26b	Left bottom plate heater ¹⁾	4991691		/each


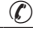

Item	Description	Art. no.	Quantity	€
27	Flat flexible cable	306395		/each
28	Top end track application	306388		/each
29	Flange bearing ASFW 208	159876		/each
30	Buffer with bolts M8 30 x 40	159650		/each
31	Horizontal track complete right ¹⁾	306380		/m
32	Horizontal track complete left ¹⁾	306381		/m
33	Connection angle diversion ¹⁾	306352		/each
34	Right track arch	306390		/each
35	Left track arch	306391		/each
36	Keypad	306421		/each
37	Main switch (only AK 500 FUE-1)	4991939		/each
38	Emergency-off button (only AK 500 FUE-1)	4980306		/each
39	Keypad extension	157097		/each
40	Main switch (AS 500 FUE-1)	4980300		/each
41	Emergency-off button (AS 500 FUE-1)	4980303		/each
42	Keypad (AS 500 FUE-1)	159669		/each

1) State pur. order no.

ORDER	Order no.:	Please take information from the data label!
	Customer name:	Factory order no.: _____ Door item no.: _____
	Shipping address: _____	Customer no.: _____
	Place/date:	Price agreements: _____
		Stamp and signature

17. Iso Speed Cold V / Refrigeration Logistics with Vertical Track Application



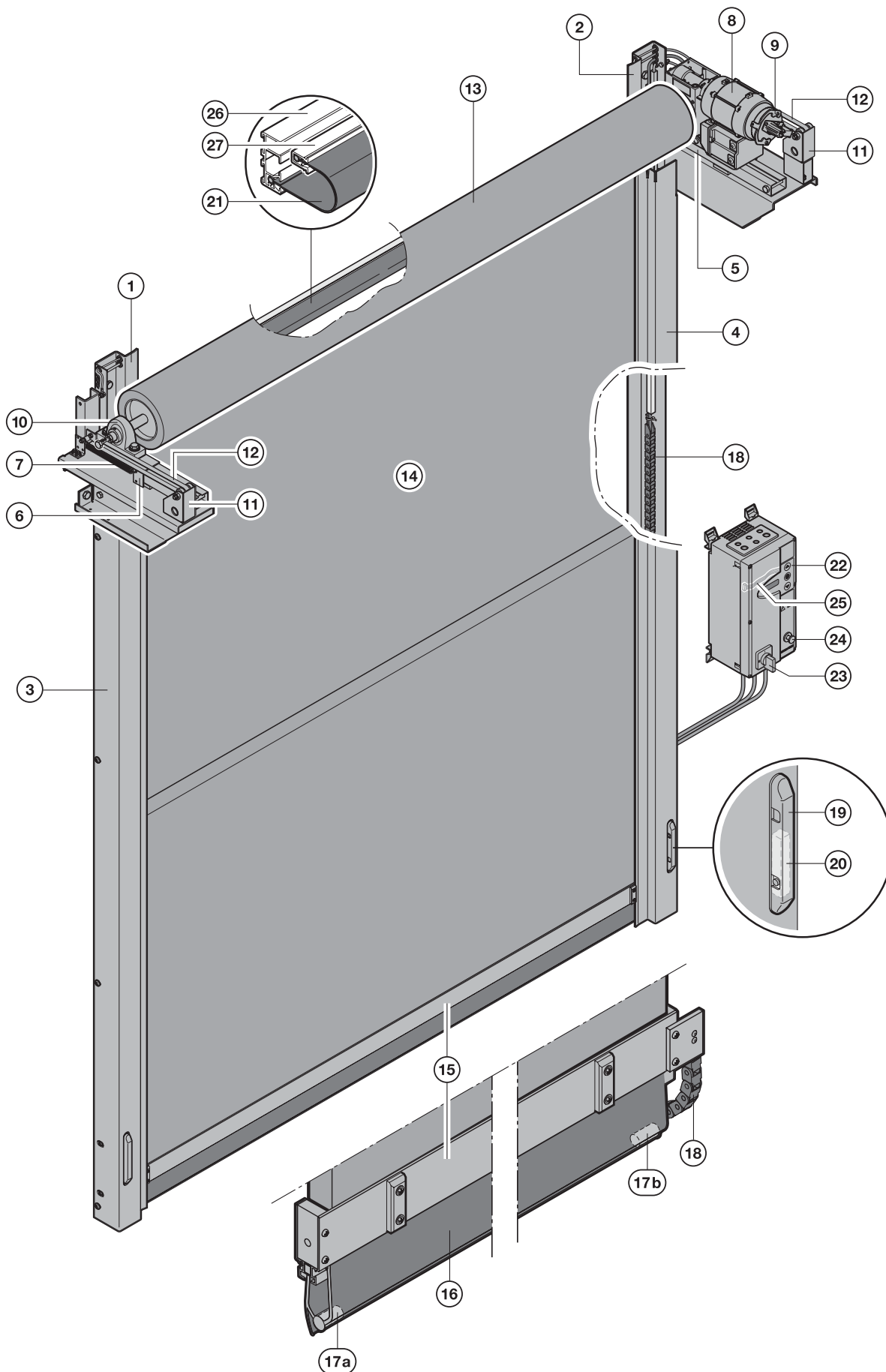
Item	Description	Art. no.	Quantity	€
1	Side assembly bearing side ¹⁾	306360		/m /each
2	Side assembly operator side ¹⁾	306361		/m /each
3	Shaft ¹⁾	306343		/m /each
4	Operator ¹⁾			/each
5	Brake ¹⁾			/each
6a	Right cover sheet ¹⁾	306345		/m
6b	Right bottom cover sheet ¹⁾	306346		/m
6c	Right top cover sheet ¹⁾	306347		/m
7a	Left cover sheet ¹⁾	306348		/m
7b	Bottom left cover sheet ¹⁾	306349		/m
7c	Top left cover sheet ¹⁾	306350		/m
8	Straight track ¹⁾	306353		/m
9	Complete return pulley	306377		/each
10	Belt ¹⁾			/m
11	Bottom edge panel ¹⁾	306364		/m ²
12	Inclination panel ¹⁾	306365		/m ²
13	Top edge panel ¹⁾	306366		/m ²
14	Top seal	306367		/m
15	Double contact bar ¹⁾	306368		/m
16	Bottom seal contact bar complete ¹⁾	159649		/each
17	Complete hinge	306371		/each
18a	Roller with spring l = 120 mm	306369		/each
18b	Roller with spring l = 105 mm	306370		/each
19	Panel joint heating element ¹⁾	306389		/each
20	Panel connection socket	306396		/each

Item	Description	Art. no.	Quantity	€
21	Photocell holder	306382		/each
22	Left heater unit ¹⁾	4991358		/m
23	Right heater unit ¹⁾	4991357		/m
24	Lintel heater unit ¹⁾	4991359		/m
25	Counter weight slide	306384		/each
26a	Right bottom plate heater ¹⁾	306393		/each
26b	Left bottom plate heater ¹⁾	4991691		/each
27	Flat flexible cable	306395		/each
28	Top end track application	306388		/each
29	Flange bearing ASFW 208	159876		/each
30	Buffer with bolts M8 30 x 40	159650		/each
31	Keypad	306421		/each
32	Main switch (only AK 500 FUE-1)	4991939		/each
33	Rotary release emergency-off button	157299		/each
34	Keypad extension	157097		/each
35	Main switch (AS 500 FUE-1)	4980300		/each
36	Emergency-off button (AS 500 FUE-1)	4980303		/each
37	Keypad (AS 500 FUE-1)	159669		/each

1) State pur. order no.

ORDER	Order no.:	Please take information from the data label!
	Customer name:	Factory order no.: Door item no.:
	Shipping address:	Customer no.:
	Place/date:	Price agreements:
		Stamp and signature

18. V 3515 Iso / 30 mm Curtain



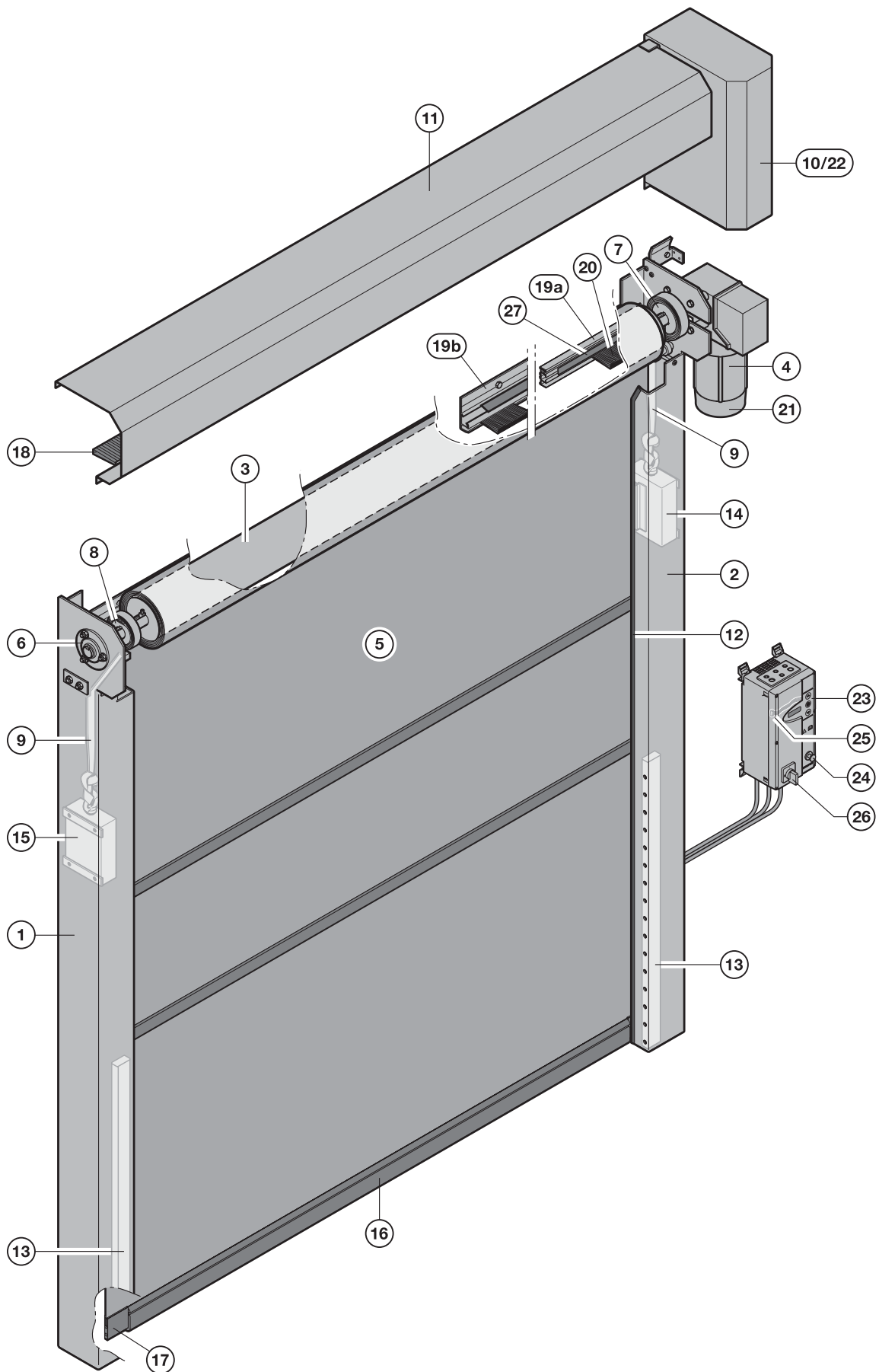
Item	Description	Art. no.	Quantity	€
1	Side assembly bearing side ¹⁾	159356		/m
2	Side assembly operator side ¹⁾	159357		/m
3	Bearing side cover ¹⁾	159358		/m
4	Operator side cover ¹⁾	159359		/m
5	Carrier operator side	159360		/each
6	Bearing side carrier	159361		/each
7	Tension spring 22-2-154	159362		/each
8	Operator	159285		/each
9	Brake 9 Nm 102 V DC	159034		/each
10	Pedestal bearing UCP 206	158534		/each
11	Complete return pulley	159363		/each
12	Belt 860 x 15 mm	159364		/each
13	Shaft ¹⁾	159365		/m
14	Grey curtain 20 mm incl. wind locks (clear width x clear height) ¹⁾	4991681		/m ²
15	Bottom section for curtain 20 mm ¹⁾	306836		/m /each
16	Rubber profile ¹⁾	4990886		/m

Item	Description	Art. no.	Quantity	€
17a	Opto transmitter wireless impulse transmission bearing side	159378		/each
17b	Opto receiver wireless impulse transmission operator side	159379		/each
18	Energy chain complete with cable + connecting piece	159089		/each
19	Photocell housing per side assembly	157268		/each
20	One-way photocell with cable S15 / E5	159097		/each
21	Curtain loop complete ¹⁾	4991339		/m
22	Keypad	306421		/each
23	Lockable main switch (only BK 150 FUE H)	159611		/each
24	Rotary release emergency-off button	4980301		/each
25	Keypad extension	157097		/each
26	Sealing frame channel ¹⁾	4991426		/m
27	Sealing frame clips ¹⁾	4991427		/m

1) State pur. order no.

ORDER	Order no.:	Please take information from the data label!
	Customer name:	Factory order no.: Door item no.:
	Shipping address: _____	Customer no.:
	Place/date:	Price agreements:
		Stamp and signature

19. V 2012 / Supermarkets



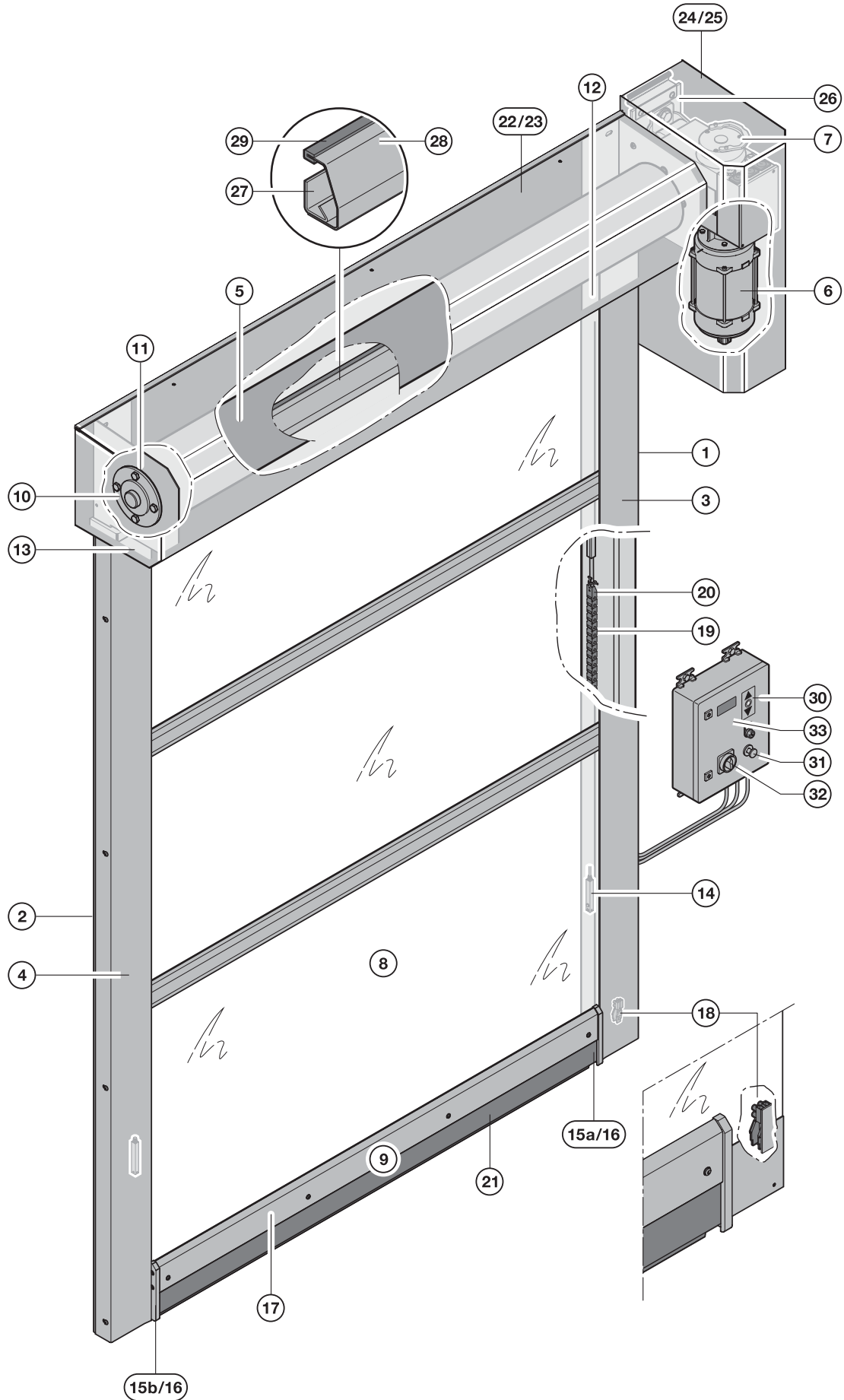
Item	Description	Art. no.	Quantity	€
1	Side assembly bearing side ¹⁾	157218		/m
2	Side assembly operator side ¹⁾	157219		/m
3	Shaft ¹⁾	157220		/m
4	Operator	157221		/each
5	Curtain incl. wind locks (clear width x clear height) ¹⁾	157222		/m ²
6	Bearing UCPF 205 – 16	157223		/each
7	Operator side guide roller	157224		/each
8	Bearing side guide roller	157225		/each
9	Belt 20 mm	159344		/each
10	Operator cladding right	157227		/each
11	Shaft cladding ¹⁾	157758		/m
12	Edge guard	157563		/m
13	Light grille L510	4990546		/each
14	Operator side counter weight	157232		/each
15	Bearing side counter weight	157233		/each
16	Complete bottom part ¹⁾	157473		/each
17	End piece for rubber bottom part	157339		/each
18	Return guide brush including 2 blind rivets 3 x 10	157176		/each
19a	Sealing frame channel ¹⁾	4991426		/m
19b	Lintel brush aluminium profile	157332		/m
20	Return guide brush	157341		/each

Item	Description	Art. no.	Quantity	€
21	Brake 15 Nm 95 V DC	157474		/each
22	Operator cladding left	157226		/each
23	Keypad	306421		/each
24	Rotary release emergency-off button	4980302		/each
25	Keypad extension	157097		/each
26	Lockable main switch (only BK 150 FUE-1)	159611		/each
27	Sealing frame clips ¹⁾	4991427		/m

1) State pur. order no.

ORDER	Order no.:	Please take information from the data label!
	Customer name:	Factory order no.: _____ Door item no.: _____
	Shipping address: _____	Customer no.: _____
	Place/date:	Price agreements: _____
		Stamp and signature

20. V 3015 Clean / Clean Rooms



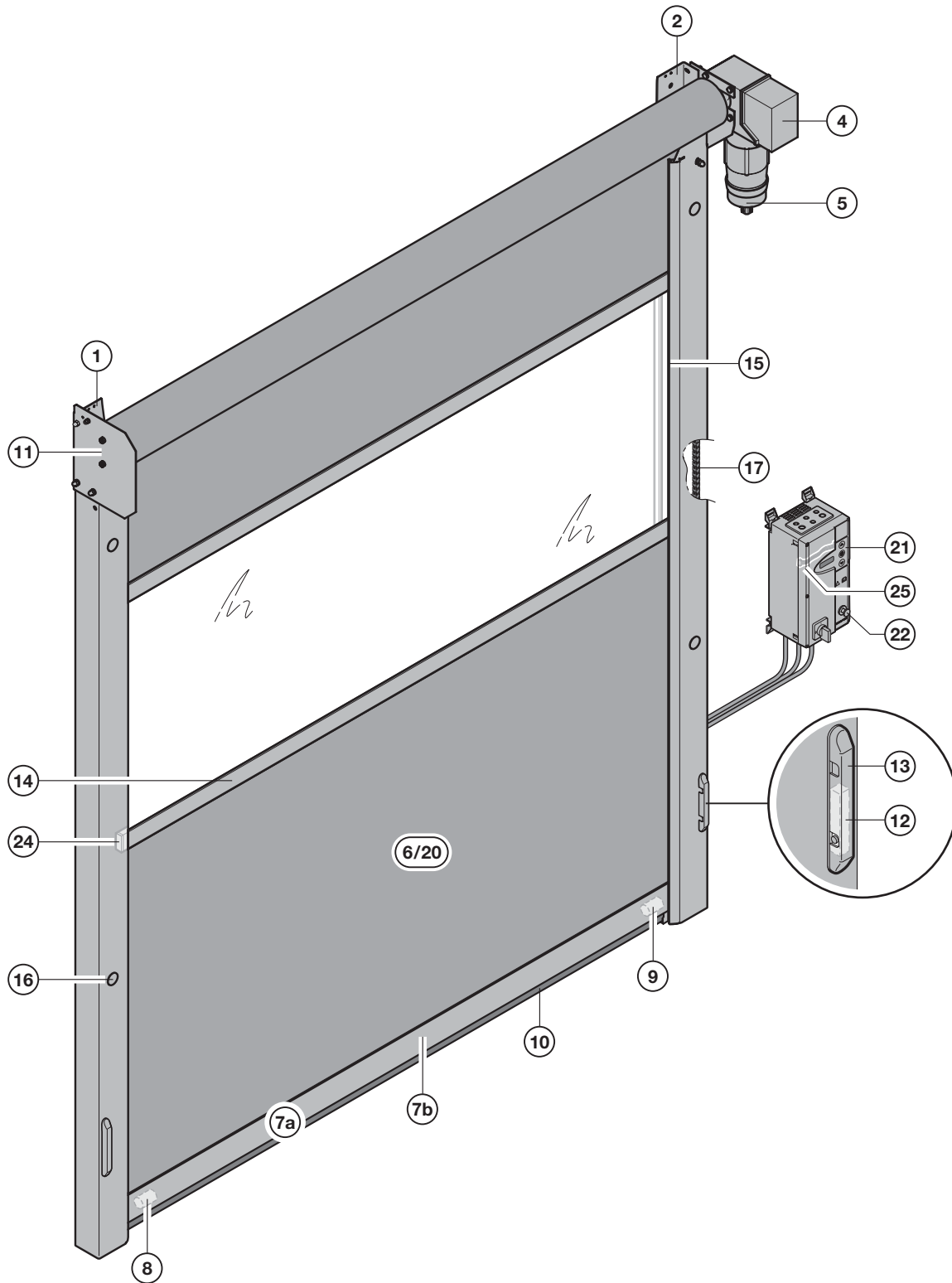
Item	Description	Art. no.	Quantity	€
1	Side assembly operator side ¹⁾	159699		/m /each
2	Side assembly bearing side ¹⁾	159700		/m /each
3	Right cover ¹⁾	4991350		/m /each
4	Left cover ¹⁾	4991351		/m /each
5	Shaft ¹⁾	306575		/m /each
6	Operator ¹⁾			
7	Brake ¹⁾			
8	Anti-static curtain incl. wind locks (clear width x clear height) ¹⁾	157372		/m ²
9	Complete bottom part ¹⁾	306576		/m /each
10	Grooved ball-bearing ASPF 208	4991354		/each
11	Seal for guide per side assembly ¹⁾			/each
12	Right front slide	4991352		/each
13	Left front slide	4991353		/each
14	One-way photocell with cable S15/E5	159097		/each
15a	Slide right operator side	4991348		/each
15b	Slide left operator side	4991349		/each
16	Slide bearing side	306566		/each
17	Bottom part cladding ¹⁾	4991462		/m
18	Energy chain 16.5 with connection element L 120	159102		/each
19	Energy chain complete with cable + connecting piece	159089		/each
20	Energy chain connection element with hole	159084		/each


Item	Description	Art. no.	Quantity	€
21	Contact bar complete ¹⁾	4991347		/m
22	Cladding shaft operator on right ¹⁾	159302		/m /each
23	Cladding shaft operator on left ¹⁾	159303		/m /each
24	Operator cladding right	159298		/each
25	Operator cladding left	159299		/each
26	Operator support bracket	4991355		/each
27	Wall mounting bracket	4991454		/m /each
28	Front bracket	4991455		/m /each
29	Sponge rubber	4991456		/m
30	Keypad	159137		/each
31	Rotary release emergency-off button	4980303		/each
32	Main switch	4980300		/each
33	Keypad extension	157097		/each

1) State pur. order no.

ORDER	Order no.:	Please take information from the data label!	
	Customer name:	Factory order no.:	Door item no.:
	Shipping address: _____	Customer no.:	
	Place/date:	Price agreements:	
		Stamp and signature	

21. V 3009 / Conveyor Technology



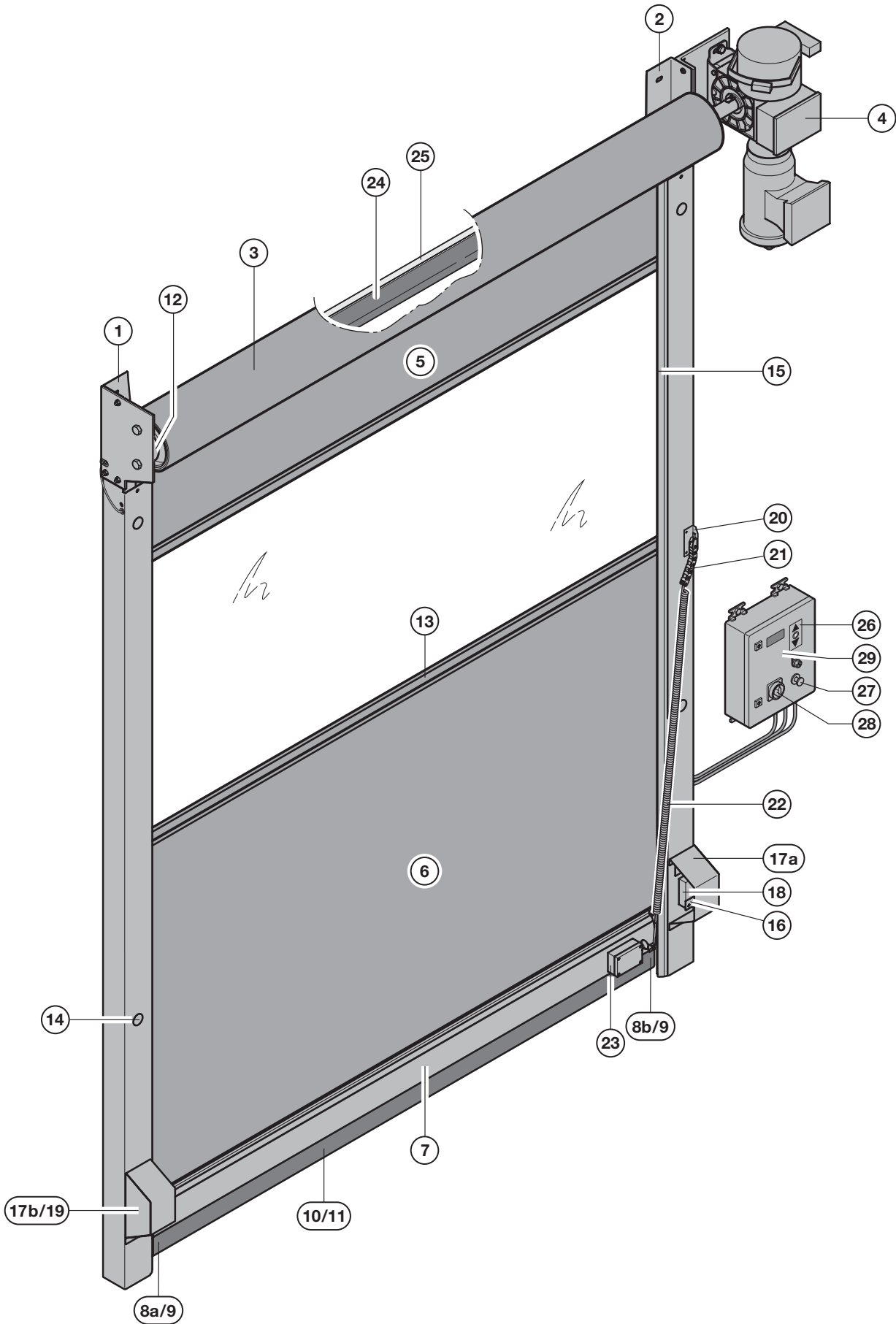
Item	Description	Art. no.	Quantity	€
1	Side assembly bearing side ¹⁾	159991		/m /each
2	Side assembly operator side ¹⁾	159992		/m /each
3	Shaft ¹⁾	159093		/m
4	Operator ¹⁾			
5	Brake 5 Nm 103 V DC	159033		/each
6	Anti-static curtain incl. wind locks (clear width x clear height) ¹⁾	159094		/m ²
7a	Complete aluminium bottom part ¹⁾	159994		/m /each
7b	Bottom part profile ¹⁾	159881		/m
8	Opto transmitter wireless impulse transmission bearing side	159378		/each
9	Opto receiver wireless impulse transmission operator side	159379		/each
10	Rubber profile	157021		/m
11	Flange bearing ASFW 205	159861		/each
12	One-way photocell with cable S15 / E5	159097		/each
13	Photocell housing per side assembly	157268		/each
14	Aluminium profile wind lock between the curtain sections ¹⁾	157042		/m
15	Seal for guide per side assembly ¹⁾			/m


Item	Description	Art. no.	Quantity	€
16	Cover plug Ø28	158997		/each
17	Energy chain complete with cable + connecting piece ¹⁾	159089		/each
20	Anti-static curtain section ¹⁾	157102		/m ²
21	Keypad ¹⁾	157298		/each
22	Rotary release emergency-off button	4980303		/each
24	Wind lock end piece	4981139		/each
25	Keypad extension	157097		/each


1) State pur. order no.

ORDER	Order no.:	Please take information from the data label!	
	Customer name:	Factory order no.:	Door item no.:
	Shipping address: _____	Customer no.:	
	Place/date:	Price agreements:	
		Stamp and signature	

22. V 1401 Atex / Explosion-Proof



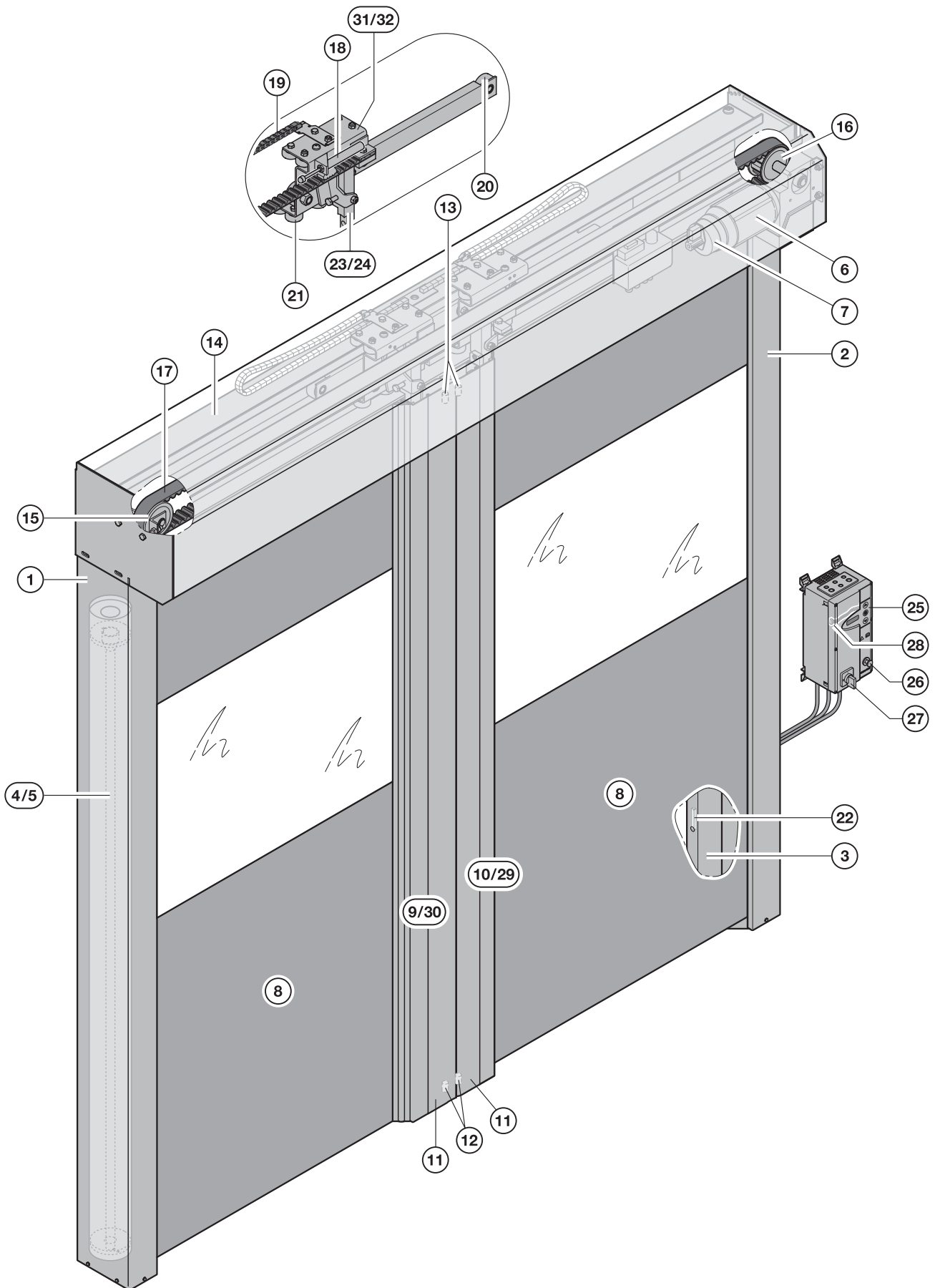
Item	Description	Art. no.	Quantity	€
1	Side assembly bearing side ¹⁾	159856		/m /each
2	Side assembly operator side ¹⁾	159857		/m /each
3	Shaft ¹⁾	159098		/m
4	Operator ¹⁾			
5	Curtain incl. wind locks (clear width x clear height) ¹⁾	159099		/m ²
6	Curtain section ¹⁾	4991594		/m ²
7	Complete aluminium bottom part ¹⁾	159873		/m /each
8a	Complete left operator insert	159862		/each
8b	Complete right operator insert	159874		/each
9	Insert bearing side complete	159875		/each
10	Contact bar profile T-support ¹⁾	157210		/m
11	Rubber profile ¹⁾	159869		/m
12	Flange bearing ASFW 208	159876		/each
13	Aluminium profile wind lock	157042		/m
14	Cover plug Ø 28	158997		/each
15	Side assembly brush seal	157028		/m


Item	Description	Art. no.	Quantity	€
16	Photocell holder	4991447		/each
17a	Right photo cell cover	4991127		/each
17b	Left photo cell cover	158957		/each
18	Photocell with reflector	159047		/each
19	Reflector holder	4991448		/each
20	Energy chain suspension	158250		/each
21	Energy chain 16.5 with connection element L 120	159102		/each
22	Spiral cable ¹⁾			
23	Junction box	158101		/each
24	Brush seal lintel 6 x 7	157333		/m
25	Lintel brush aluminium profile	157332		/m
26	Keypad	159137		/each
27	Rotary release emergency-off button	157299		/each
28	Complete hat rail main switch 16/20A	4990718		/each
29	Keypad extension	157097		/each

1) State pur. order no.

ORDER	Order no.:	Please take information from the data label!
	Customer name:	Factory order no.: Door item no.:
	Shipping address:	Customer no.:
	Place/date:	Price agreements:
		Stamp and signature

23. H 3530 / Horizontal Door



Item	Description	Art. no.	Quantity	€
1	Side assembly bearing side ¹⁾	159109		/m /each
2	Side assembly operator side ¹⁾	159110		/m /each
3	Bearing side and operator side cover ¹⁾	159829		/m /each
4	Left shaft (spring) ¹⁾	159888		/each
5	Right shaft (spring) ¹⁾	159889		/each
6	Operator ¹⁾			
7	Brake 5 Nm 103 V DC	159033		/each
8	Curtain incl. wind locks (clear width x clear height) ¹⁾	159108		/m ²
9	Left beam including beam fork ¹⁾	159336		/m
10	Right beam including beam fork ¹⁾	159337		/m
11	Rubber profile	157044		/m
12	Opto transmitter + slave receiver	4991120		/each
13	Opto transmitter + master receiver	4991121		/each
14	Straight cladding ¹⁾	159909		/m /each
15	Toothed plate HTD 38 - 8M - 40 bearing side	158506		/each
16	Toothed belt plate HTD 38 - 8M - 40 operator side	158505		/each
17	Toothed belt HTD S8M-30 with HP pull cord	159910		/m
18	Shock absorber	159911		/each
19	Energy chain complete with cable + connecting piece ¹⁾	159089		/each
20	Guide roller 173	159113		/each

Item	Description	Art. no.	Quantity	€
21	Guide roller 130	159913		/each
22	One-way photocell with cable S15/E5	159097		/each
23	Left beam holder	158275		/each
24	Right beam holder	158276		/each
25	Keypad	306421		/each
26	Rotary release emergency-off button	4980302		/each
27	Lockable main switch (only BK 150 FUE-1)	159611		/each
28	Keypad extension	157097		/each
29	Complete right beam ¹⁾	159906		/m /each
30	Complete left beam ¹⁾	159905		/m /each
31	Complete right slide carriage	306708		/each
32	Complete left slide carriage	306189		/each

1) State pur. order no.

ORDER	Order no.:	Please take information from the data label!
	Customer name:	Factory order no.: Door item no.:
	Shipping address:	Customer no.:
	Place/date:	Price agreements:
		Stamp and signature

General Terms and Conditions of Sale and Delivery (Issue 01.03.2016)

§ 1 General

1. Our General Terms and Conditions of Sale and Delivery apply to all deliveries and services in accordance with the contract concluded between us and the Customer.
2. Our General Terms and Conditions of Sale and Delivery are exclusively applicable; Customers' conditions which conflict with or deviate from our conditions are not recognised unless we have agreed to them expressly in writing.
3. Our General Terms and Conditions of Sale and Delivery apply only to transactions with business entities as per § 14 of the German Civil Code [BGB].

§ 2 Entry into Contract

1. Our offers are without engagement and non-binding, unless otherwise agreed. Decisive for nature and scope is our order confirmation. We reserve the right to make technical changes as well as changes in form, colour and/or weight insofar as is reasonable.
2. The offer shall be regarded as accepted only when an order confirmation is issued or the goods are dispatched. The issue of a confirmation of receipt or the receipt of a telephone order do not constitute a binding acceptance. In the case of goods that have to be made to order, following our written confirmation the contract shall be regarded as having been entered into even if details of its execution which may affect price and delivery remain to be clarified. The right to make design and form changes during the delivery period is reserved, provided that the subject of delivery and its function and appearance are not fundamentally altered thereby. There will be no resulting change in price.
3. In respect of figures, drawings, calculations and similar documents, we reserve ownership and copyright. This likewise applies to such documents designated as "confidential". These documents may not be made available to third parties without our express prior approval.

§ 3 Prices and Terms of Payment

1. Unless otherwise specified in the order confirmation, our prices apply "ex works", excluding transport and assembly, which shall be invoiced separately. Costs for packaging, with the exception of small and spare parts, are included. The value added tax as required by law is not included in our prices; this tax will be shown separately on the invoice at the legal rate applicable on the date of invoicing.
2. Our invoices shall be due to be paid net (without deduction) within 30 days. The deduction of discounts requires a special agreement in writing.
3. Should the price of materials increase taxes or levies be increased after the contract has been concluded, we shall be entitled to adjust our prices accordingly if there are at least 4 months between entry into contract and intended delivery.
4. Should the Customer commission not only delivery but also assembly or similar services, these shall be invoiced by the hour unless a fixed rate has been agreed expressly. Our valid Terms and Conditions of Installation shall apply to all assembly services.
5. We are entitled, even in the case of conflicting Customer conditions, to set off payments against the Customer's previous debts. If costs and interest have already incurred, we are entitled to set off the payment against the costs, then to the interest and finally to the main service.
6. We are also entitled to make our remaining claims immediately payable and render the execution of all further services subject to an advance payment or provision of security, if we become aware of circumstances that call the solvency and the credit standing of the Customer into question, in particular in the event of default in payment. The right to claim further damages will remain unaffected.
7. During the delay, the Customer cannot invoke the right to possession. Any claim for return on our side during a delay on the Customer's side shall only be considered as withdrawal from the contract if we have specified this expressly in writing.
8. The Customer shall only have the right to offsetting if the Customer's counterclaims have been determined without further legal recourse, beyond dispute or if the counterclaims have been recognised by us. The Customer can only exert a right of retention if and when the counterclaim rests on the same contractual relationship.

§ 4 Place of Fulfilment, Transfer of Risk

1. Unless otherwise specified in the order confirmation, a delivery "ex works" (INCOTERMS 2010) has been agreed. The risk of accidental loss or deterioration of the goods purchased passes to the Customer upon hand-over of the goods to the shipping agent, the freight forwarder or the person or establishment otherwise appointed to execute the shipment. This shall likewise apply in case of partial delivery or if we have taken over other services (e.g. shipping or assembly).
2. Should the Customer be in default of acceptance, the risk of accidental loss or deterioration of the goods purchased shall pass to the Customer. Any storage costs incurred shall comply with § 5 No. 3.
3. If carriage paid delivery of the goods has been agreed, the means of transport must be unloaded immediately by the Customer. Waiting times will always be at the Customer's expense. Direct delivery to site shall always be regarded as on truck on an even, drivable road. Unloading including transportation to the place of use or storage is the responsibility of the Customer who in the event of delay must bear the cost and risk of unloading, stacking, storage or return transport. The recipient acting on behalf of the Customer at the place of unloading shall be regarded as authorised to accept the load with binding effect.

§ 5 Period of Delivery

1. The period of delivery specified by us shall only begin after clarification of all technical questions.
2. Information on delivery dates shall be considered the expected periods of delivery and are always subject to correct and timely delivery by suppliers and/or other manufacturers to us. The Customer may only set a time limit for the supply/performance if the expected delivery date has been exceeded by more than three weeks. This time limit must be reasonable and must amount to a minimum of three weeks. Claims for damages due to non-compliance with an expected delivery date are excluded. Delays in supply and performance as a result of force majeure or as a result of events which materially impede or prevent us from making delivery – including in particular subsequent material sourcing difficulties for which we are not responsible, interruption of operations, strikes, lockouts, official directives, etc., even if these affect our suppliers or sub-suppliers – will be notified to the Customer immediately. Events of this type entitle us to withdraw from the contract either in whole or in part if the order is not yet completed. In the event of withdrawal, any compensating measures already performed by the Customer shall be reimbursed immediately.
3. Should the Customer be in delay of acceptance, we are entitled to store the goods at the Customer's risk and expense. For the corresponding storage costs, we can optionally demand reimbursement of the actually incurred costs or of a fixed rate of 5% of the invoice sum for each commenced month. This also applies to storage by us. The Customer has the right to prove less damage in the event of a claim to flat-rate damage reimbursement.
4. Should, after the time limit set by us has expired, the Customer refuse to accept the goods or declare to no longer want to accept the goods without entitlement to do so, we can also demand damage compensation due to non-fulfilment.
5. Partial deliveries are permissible to a reasonable extent.

§ 6 Reservation of Title

1. We reserve ownership of the goods until complete payment of all claims from the ongoing business relationship with the Customer. Should the value of the reserved goods exceed the claims to be secured from the ongoing business relationship with the Customer by more than 20%, we are obligated to release the reserved goods on Customer request. The selection of the securities to be released is at our discretion.
2. While retention of title is in effect, the Customer is obligated to treat the goods purchased with care and sufficiently insure them against fire, water and theft at their value when new and at the Customer's expense. Any claims asserted for damages by the Customer against the insurer or other third parties due to deterioration of the reserved goods are right now signed over to us at the amount of the invoice sum. Should maintenance and inspection work be required, the Customer shall perform said work regularly at the Customer's own expense. The Customer must inform us immediately and in writing of all access of third parties to the goods, in particular of all foreclosure and any damage to or destruction of the goods. The Customer must inform us of a change in possession of the goods as well as a change in the Customer's address immediately. The Customer must reimburse us of all damage and costs caused by a violation of this obligation and resulting necessary intervention measures to prevent access of third parties to the goods. In the event of access by third parties, the Customer must also provide us with the necessary help to exercise our rights.
3. The Customer is not permitted to pledge reserved goods nor assign them as security.
4. Processing or transformation of goods supplied subject to the reservation of title is always undertaken by the Customer on our behalf. Should the reserved goods be combined or processed with other items, the reservation of title shall continue for the processed or combined goods. If the reserved goods are processed or combined inextricably with items which are not our property, we shall acquire ownership of the new object in the ratio of the invoice value of the reserved goods to the invoice value of the other goods used at the time of processing or combination. The resulting co-ownership rights shall be deemed to be reserved goods in accordance with these terms and conditions. If our goods are joined or combined inextricably with other movable items into a single object and the other object is to be considered the main object, the Customer shall concede proportionate joint ownership to us should the main object belong to the Customer. In the aforementioned cases, the Customer here and now assigns all ownership rights to the processed, joined, or combined goods to us. Instead of a transfer, the Customer shall hold the processed, joined, or combined object in safe custody on our behalf. For the object resulting from processing, use, or combination, the same applies in all other respects as for reserved goods.
5. The Customer is entitled to resell goods supplied subject to reservation of title by way of due and proper business transactions. The Customer here and now assigns all claims with all rights arising from the resale of the reserved goods to us in full. We accept this assignment. Should the Customer sell the reserved goods – after processing/combination – together with goods not belonging to the Customer, the Customer here and now assigns to us the claims resulting from resale at the value at new of the reserved goods along with all ancillary rights. We accept this assignment right now. The Customer is entitled to collect this claim even after assignment. However, we reserve the right to collect the claim ourselves as soon as the Customer fails to properly meet payment obligations and enters into default, or reasonable doubt about the Customer's solvency and credit standing exists. On our request, the amount of the assigned claim, the person of the debtor and all other information required for collection must be provided, the corresponding documents be handed over and the debtor be notified of the assignment.
6. The right to further processing and resale ends with withdrawal from the contract.
7. During the Customer's standard business hours, we are at all times entitled to enter the offices and operating premises to check the reserved goods and to take possession of the reserved goods insofar as the Customer is unable to invoke rights to possession.

§ 7 Defect Claims

1. The Customer shall be entitled to claims for defect only if the Customer's duties to inspect and report pursuant to § 377 of the German Commercial Code [HGB] have been duly complied with. In the event that complaints are not reported in due time and/or in due form, the goods shall be regarded as accepted.
2. For the delivery of objects, we are free to decide to affect supplementary performance either by repair or replacement. If supplementary performance fails, the Customer can at his choice demand a reduction, withdrawal or compensation. In the event of only minor defects the Customer has no right to withdrawal.
3. As a matter of principle, the nature of the goods purchased shall be defined solely by the manufacturer's product description/order confirmation. Public statements, recommendations or advertisements by the manufacturer do not constitute contractual statements as to the nature of the goods.
4. The period of limitation for defect claims is based on § 438, Para. 1, No. 2 of the German Civil Code [BGB] as long as no deviating time limits have been expressly agreed.
5. The Customer is not entitled to assign claims for material defects.

§ 8 Liability

1. We accept liability within legal provisions, provided the Customer asserts claims for damages that are based on intent or gross negligence. In the event of minor negligence, our liability is limited to predictable, typically occurring damage. We are not liable in the event of minor negligence of non-essential contractual obligations whose violation does not threaten the performance of the contract. This also applies to breach of duty by our legal representatives or vicarious agents.
2. Liability for negligent injury to life or limb or the impairment of a person's health remains unaffected from the above limitations of liability; this also applies to Customer claims according to the German Product Liability Act [Produkthaftungsgesetz].

§ 9 Concluding Provisions

1. The law of the Federal Republic of Germany shall apply. The UN Convention on the International Sale of Goods shall not be applicable.
2. To take legal effect, subsidiary agreements and amendments must be confirmed in writing. This likewise applies to any modification of the clause stipulating the written form.
3. Unless otherwise specified in the order confirmation, our headquarters are the place of fulfilment. The exclusive place of jurisdiction for all disputes arising from this contract shall be Bielefeld, Germany.
4. Insofar as individual terms of the contract including these General Terms and Conditions should be or become ineffective either in whole or in part, this shall not affect the validity of the remaining provisions.

Hörmann: Quality without Compromise



Hörmann KG Amshausen, Germany



Hörmann KG Antriebstechnik, Germany



Hörmann KG Brandis, Germany



Hörmann KG Brockhagen, Germany



Hörmann KG Dissen, Germany



Hörmann KG Eckelhausen, Germany



Hörmann KG Freisen, Germany



Hörmann KG Ichttershausen, Germany



Hörmann KG Werne, Germany



Hörmann Alkmaar B.V., Netherlands



Hörmann Legnica Sp. z o.o., Poland



Hörmann Beijing, China



Hörmann Tianjin, China



Hörmann LLC, Montgomery IL, USA



Hörmann Flexon LLC, Burgettstown PA, USA



Shakti Hörmann Ltd., India

Hörmann is the only manufacturer worldwide that offers you a complete range of all major building products from one source. We manufacture in highly-specialised factories using the latest production technologies. The close-meshed network of sales and service companies throughout Europe, and activities in the USA and Asia, make Hörmann your strong partner for first-class building products, offering “Quality without Compromise”.

GARAGE DOORS
OPERATORS
INDUSTRIAL DOORS
LOADING EQUIPMENT
HINGED DOORS
DOOR FRAMES

HÖRMANN